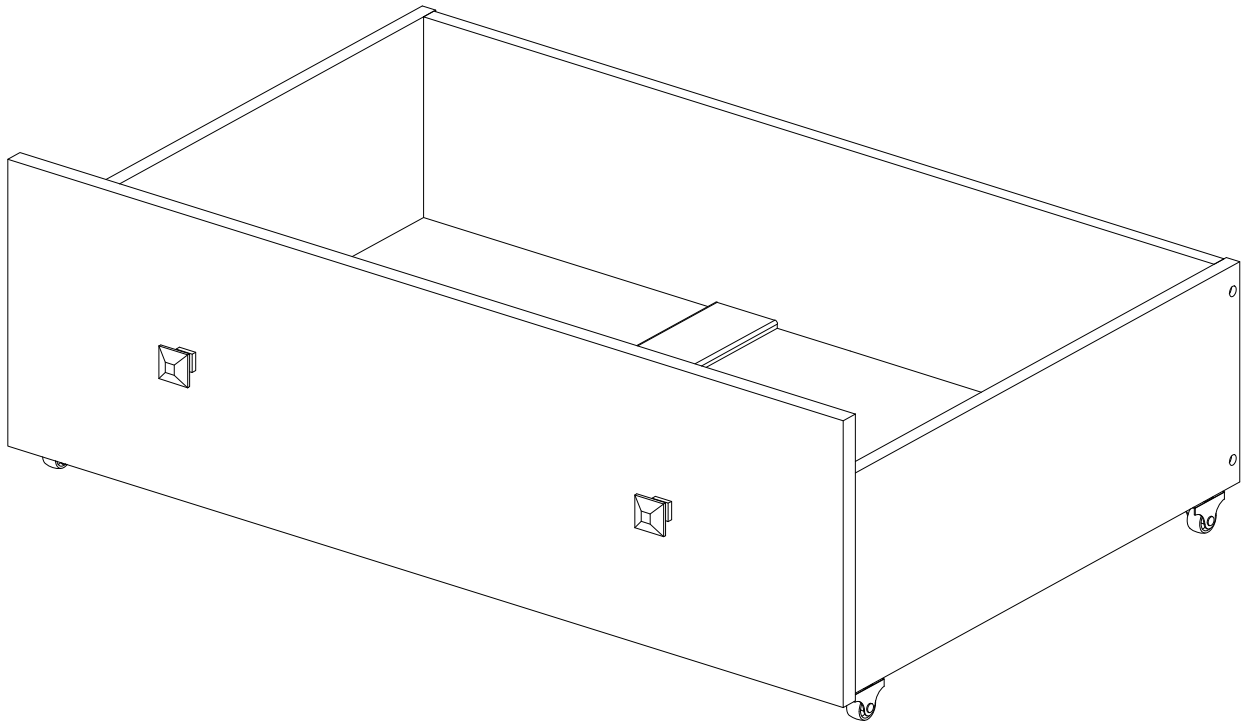
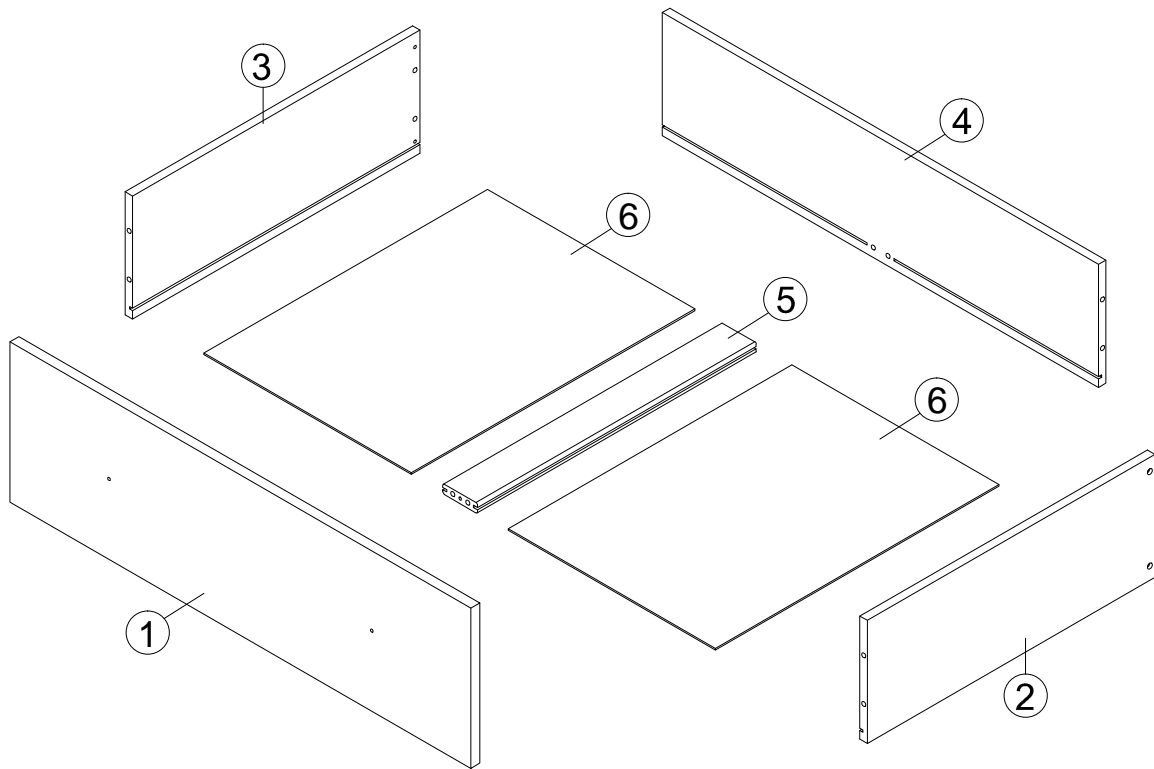
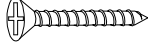
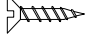
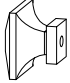
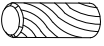
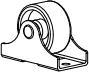
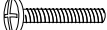


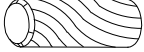
ASSEMBLY INSTRUCTIONS - 505 DRAWER BRUSHED GREY

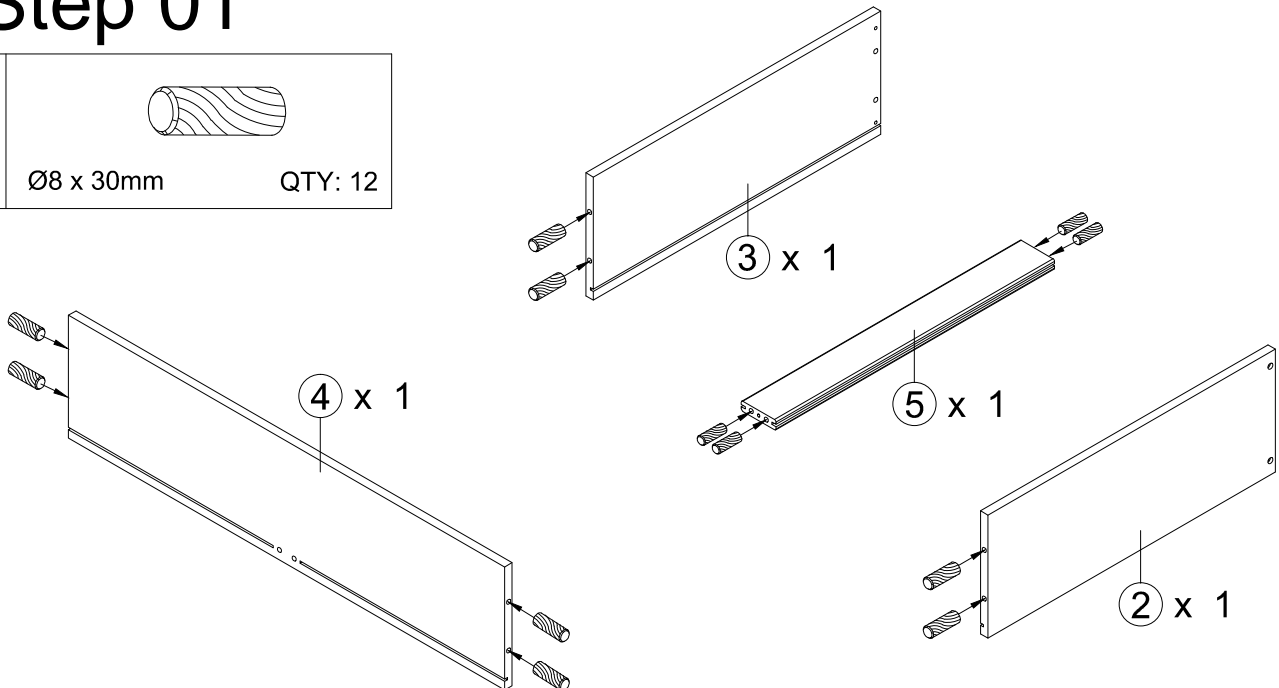




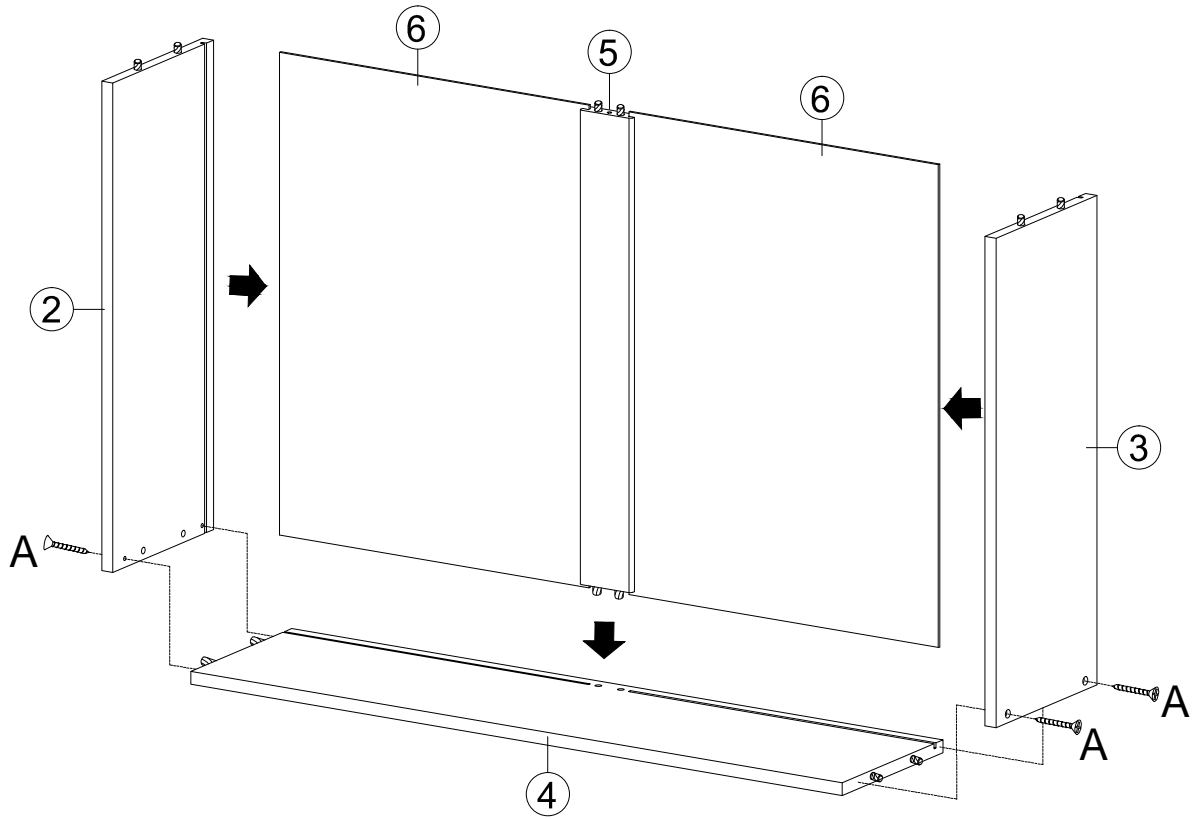
A	 Ø4 x 30mm	QTY: 10	C	 Ø4 x 15mm	QTY: 08	E	 QTY: 02
B	 Ø8 x 30mm	QTY: 12	D	 QTY: 04		F	 Ø4 x 32mm QTY: 02

Step 01

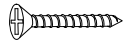
B	 Ø8 x 30mm	QTY: 12
----------	--	---------



Step 02



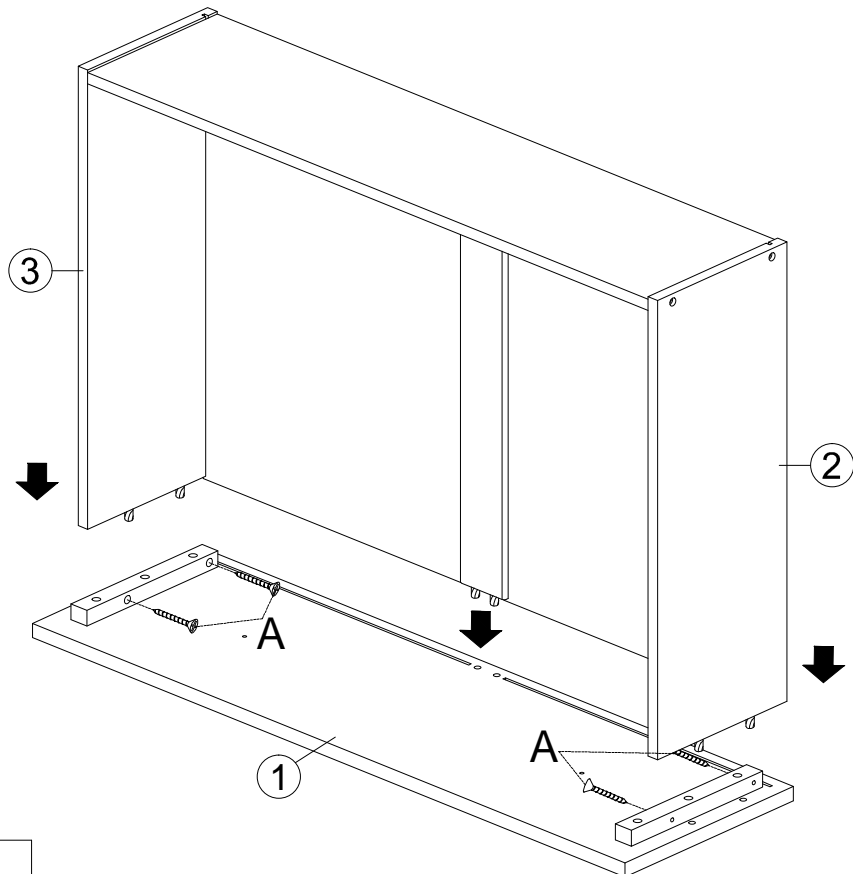
A



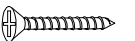
Ø4 x 30mm

QTY: 04

Step 03



A



Ø4 x 30mm

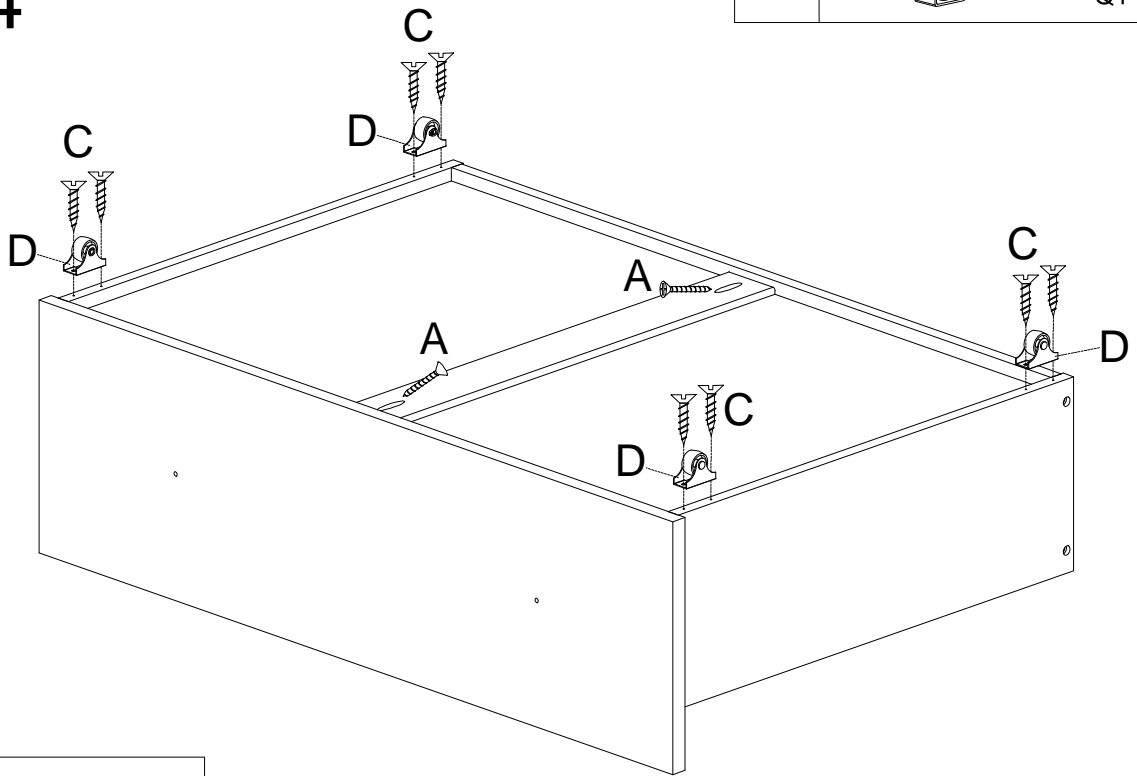
QTY: 04

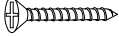
Step 04

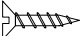
D



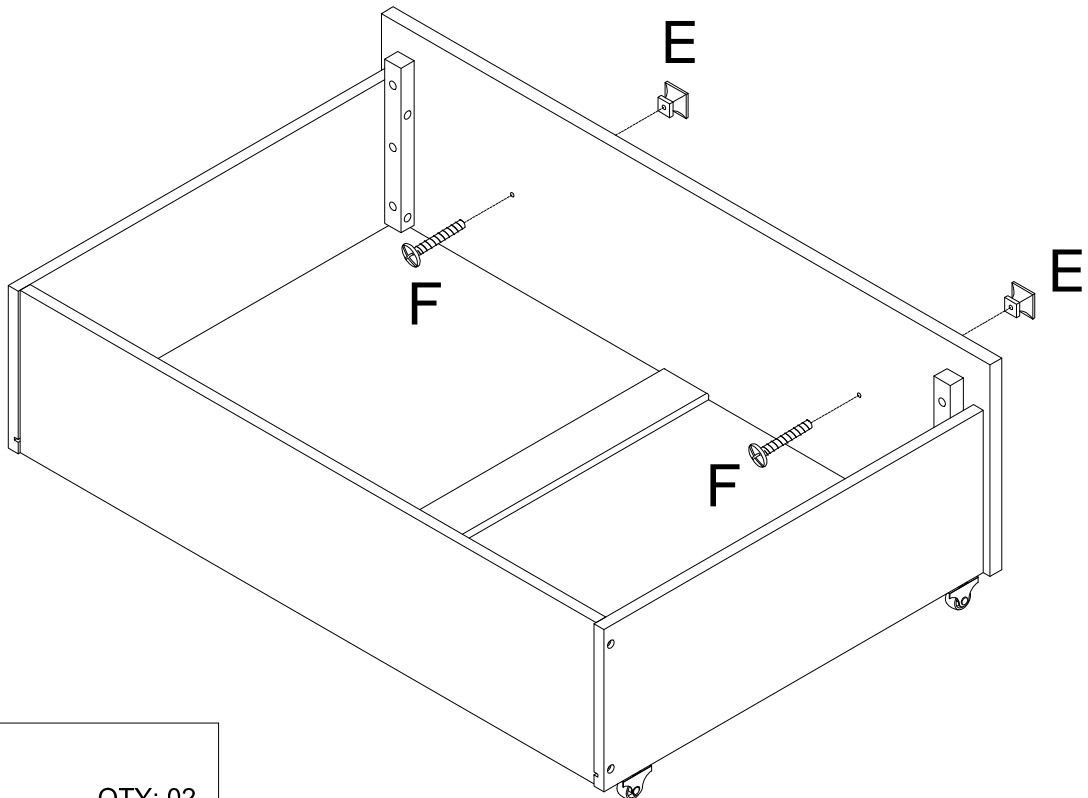
QTY: 04

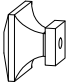



A	 Ø4 x 30mm	QTY: 02
---	--	---------

C	 Ø4 x 15mm	QTY: 08
---	--	---------

Step 05



E		QTY: 02
---	---	---------

F	 Ø4 x 32mm	QTY: 02
---	--	---------