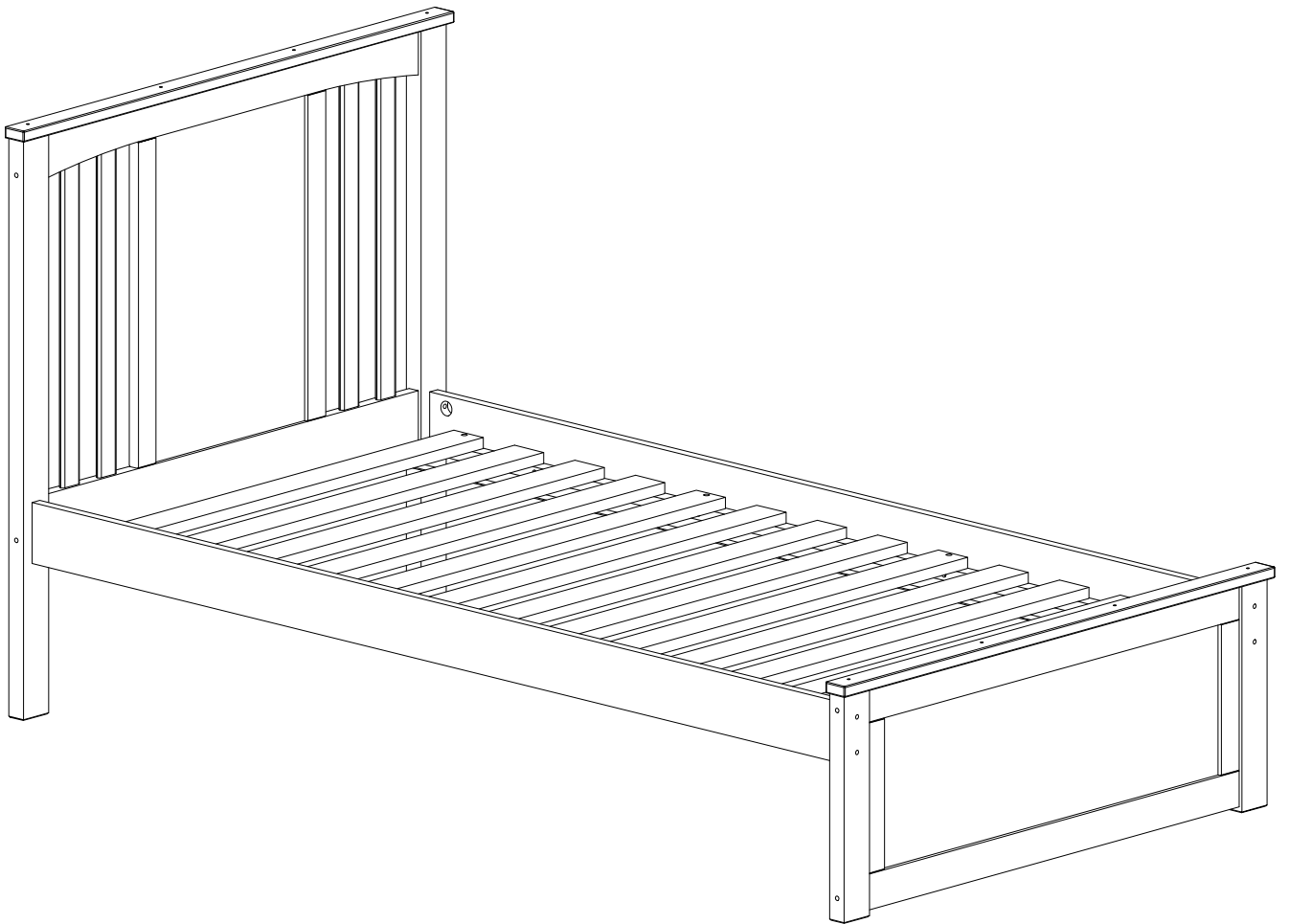
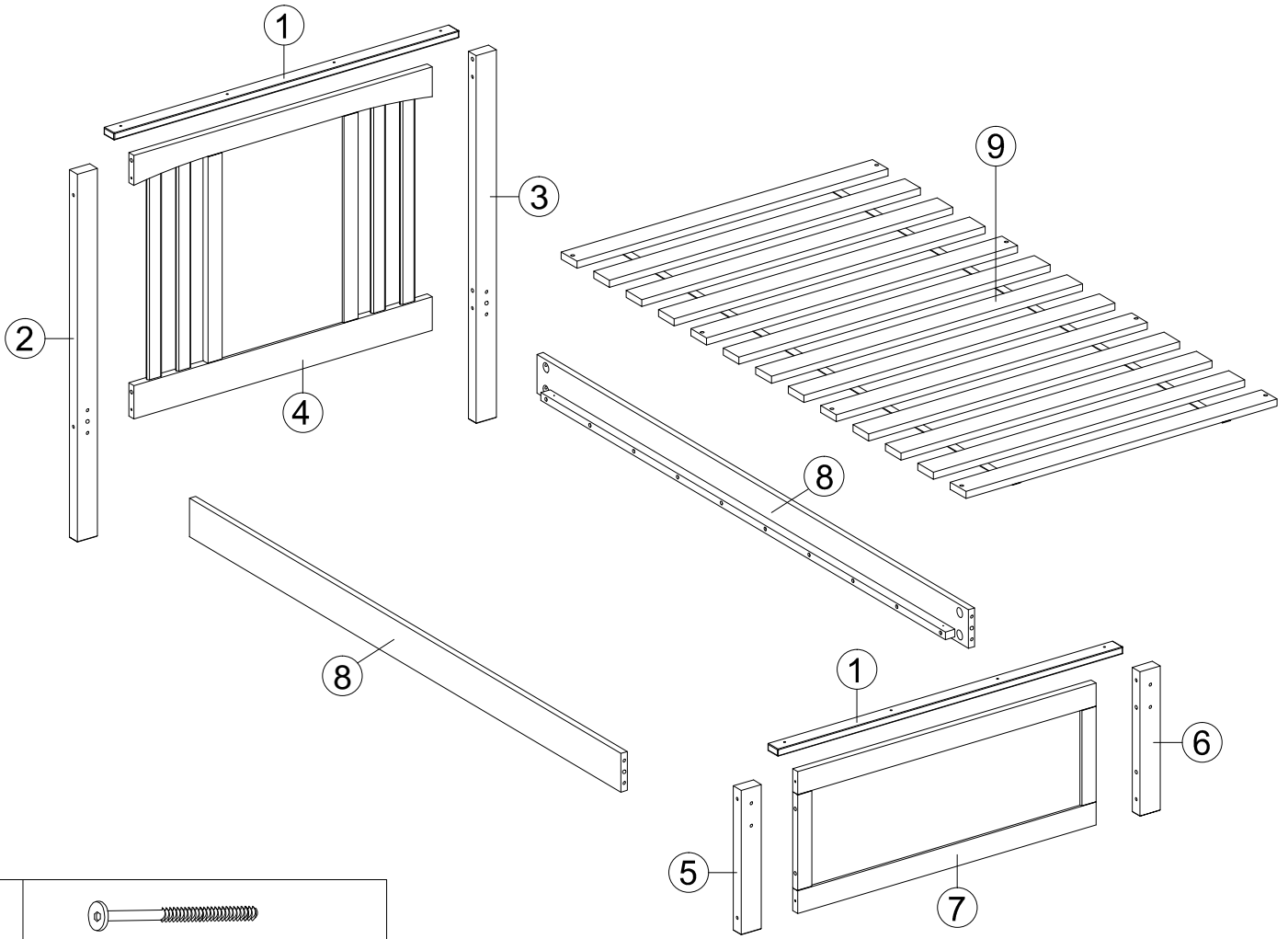
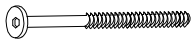
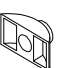
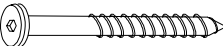
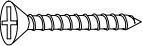
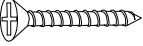




ASSEMBLY INSTRUCTIONS - 3217 TWIN MISSION CAPTAINS BED



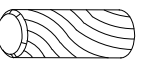


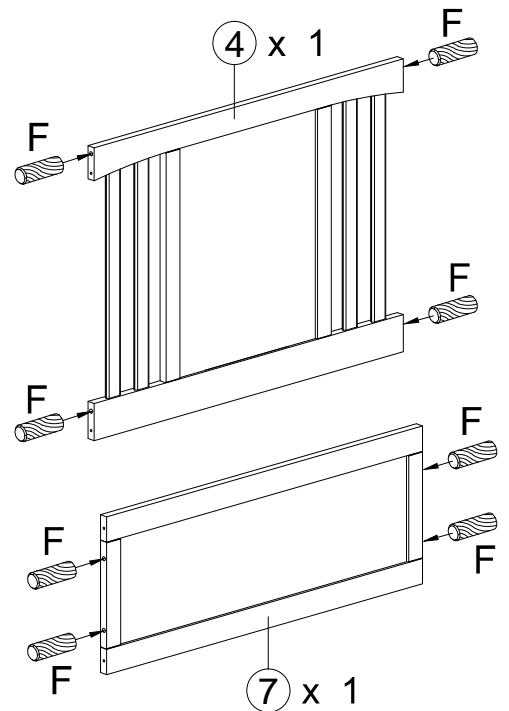
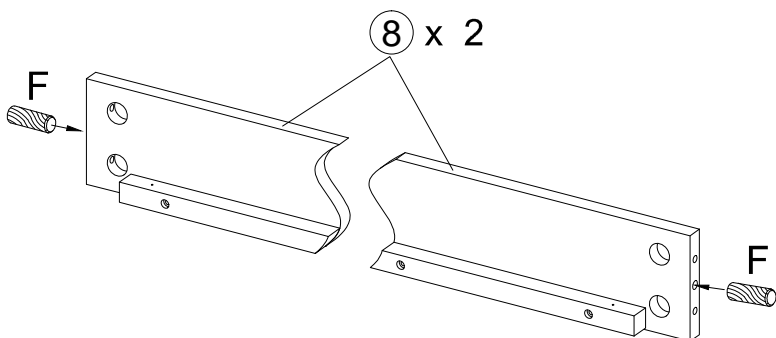
A	 Ø1/4" x 75mm QTY: 08
B	 Half Moon 1/4" QTY: 08
C	 Ø7 x 100mm QTY: 08

D	 Ø4 x 40mm QTY: 08
E	 Ø4 x 30mm QTY: 08

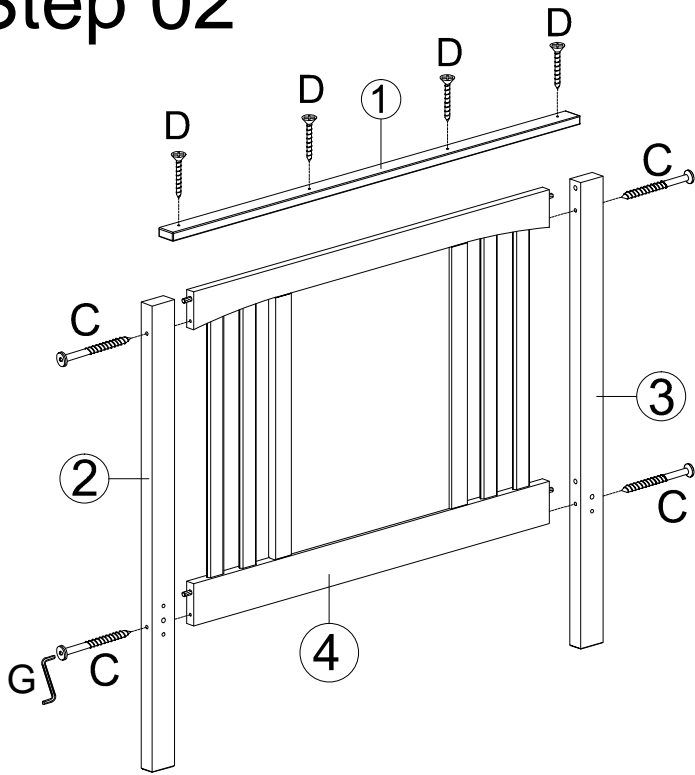
F	 Ø10 x 40mm QTY: 12
G	 Allen Key QTY: 01

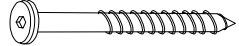
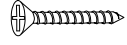
Step 01

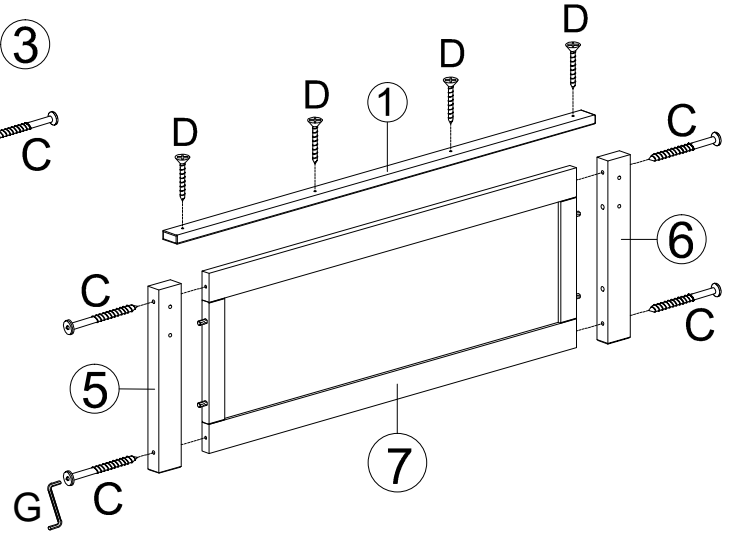
G	 Ø10 x 40mm QTY: 12
----------	-----------------------------------------------------------------------------------------------------------




Step 02

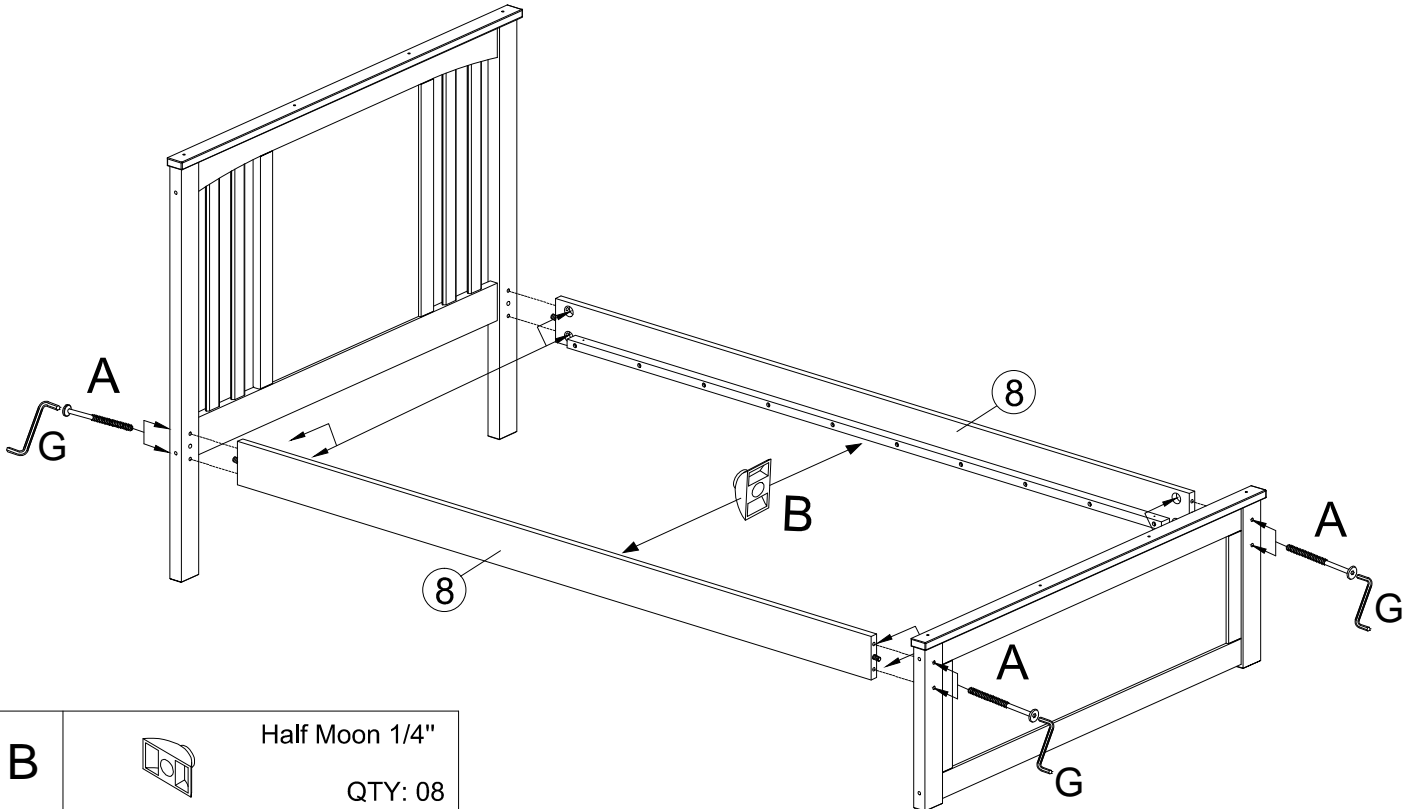


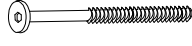
C		QTY: 08
D		QTY: 08





G		Allen Key QTY: 01
----------	-------------------------------------------------------------------------------------	----------------------

Step 03

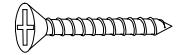


A		QTY: 08
----------	---------------------------------------------------------------------------------------	---------

B		Half Moon 1/4" QTY: 08
G		Allen Key QTY: 01

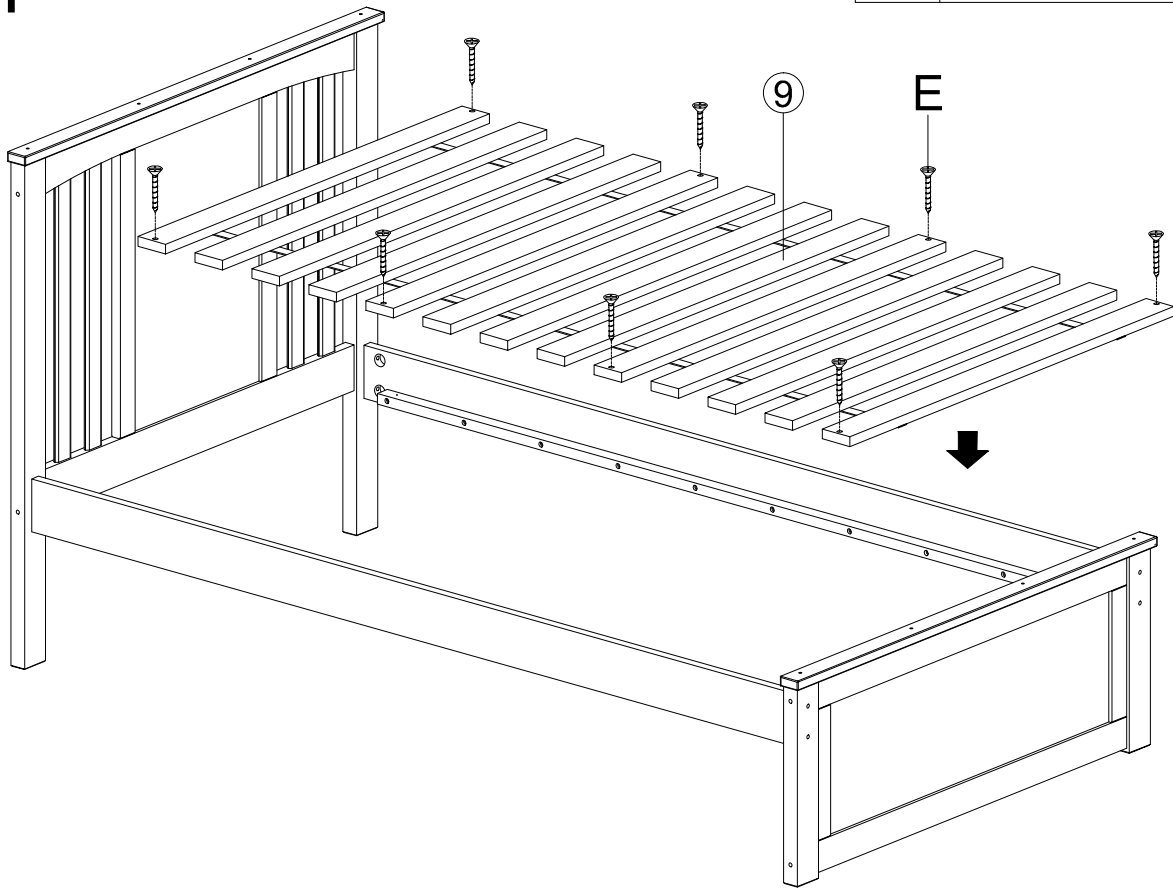
Step 04

E



Ø4 x 30mm

QTY: 08



Complete

