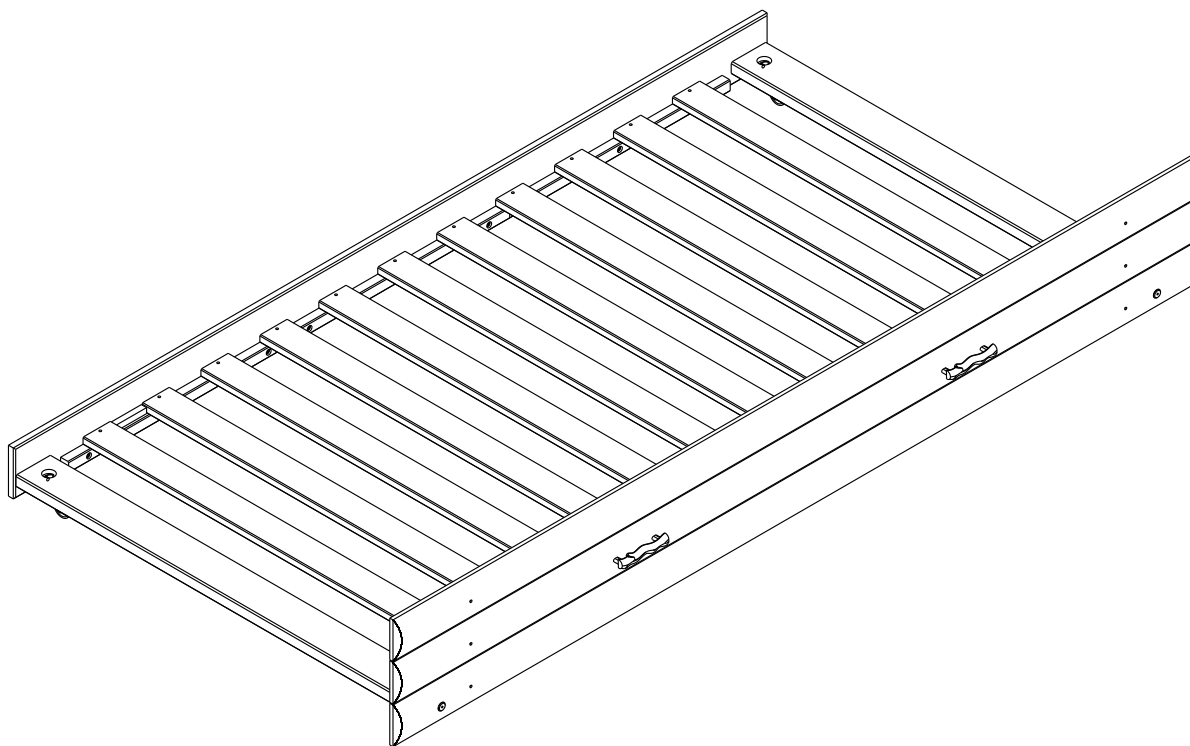


Fort Worth, Texas 76140

ASSEMBLY INSTRUCTIONS

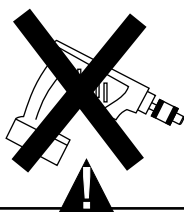
2104 LOG CABIN TRUNDLE



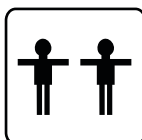
Thank you for purchasing this quality product. Be sure to check all packing material carefully for small parts which may have come loose inside the carton during shipment. Separate, identify and count all parts and hardware.

Compare with the parts list to be sure all parts are present.

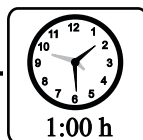
"DO NOT TIGHTEN SCREWS UNTIL COMPLETELY ASSEMBLED"



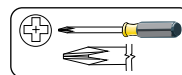
* Use of power tool to assemble this product will invalidate any claim and damage this product making unsafe !!!
* Please assemble on a clean soft surface to avoid damage.



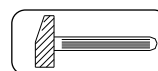
+



Tools Required



(Not included)



(Not included)

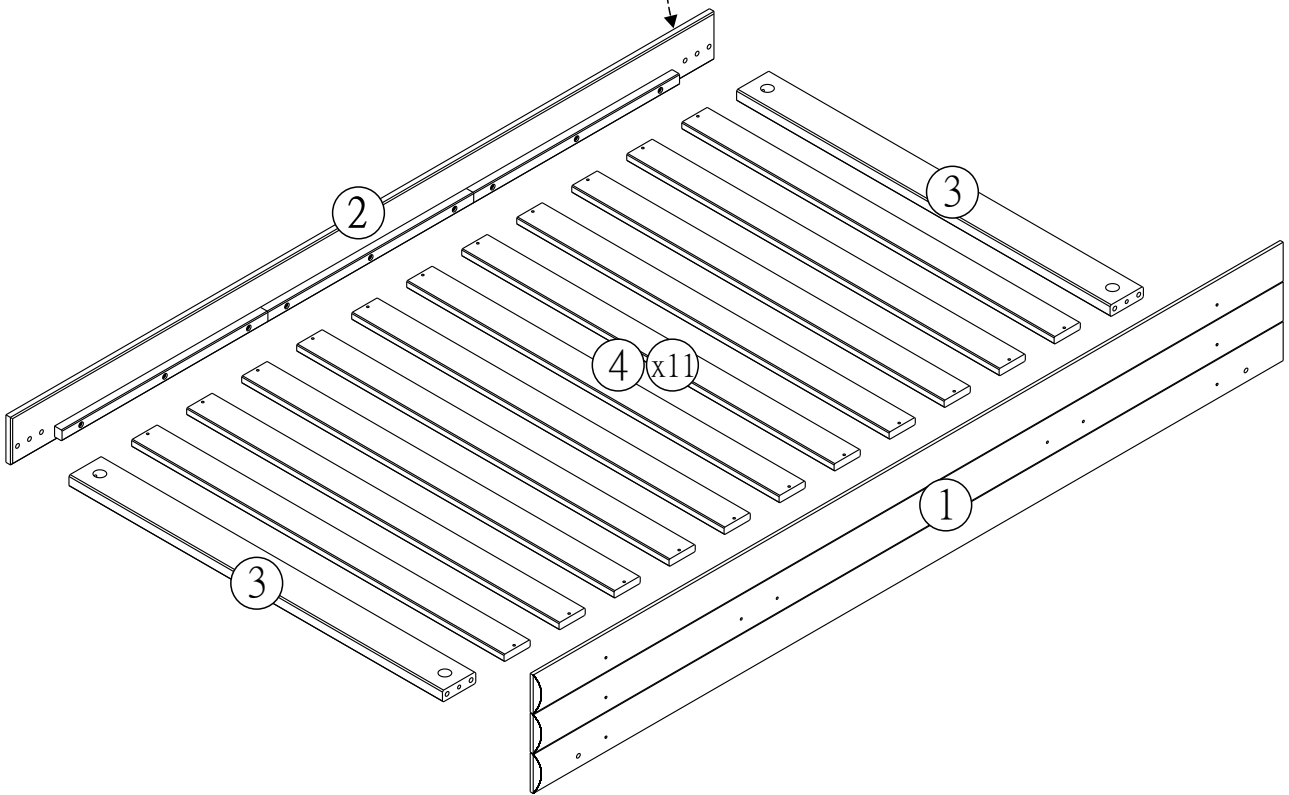
IMPORTANT:

PLEASE READ INSTRUCTION BEFORE STARTING THE ASSEMBLY


Part List - 2104 LOG CABIN TRUNDLE

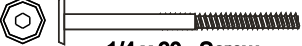


**MANUFACTURER LABEL
DO NOT REMOVE!**




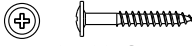
Identifying the Hardware-Identify the hardware using the illustrations below.


A  Qty **08**
10 x 40 Wood Dowel


B  Qty **04**
1/4 x 60 Screw

C  Qty **04**
1/4" Half Moon


D  Qty **04**
4,0 x 25 Screw


E  Qty **22**
4,0 x 30 Screw

F  Qty **16**
3,5 x 16 Screw

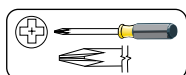
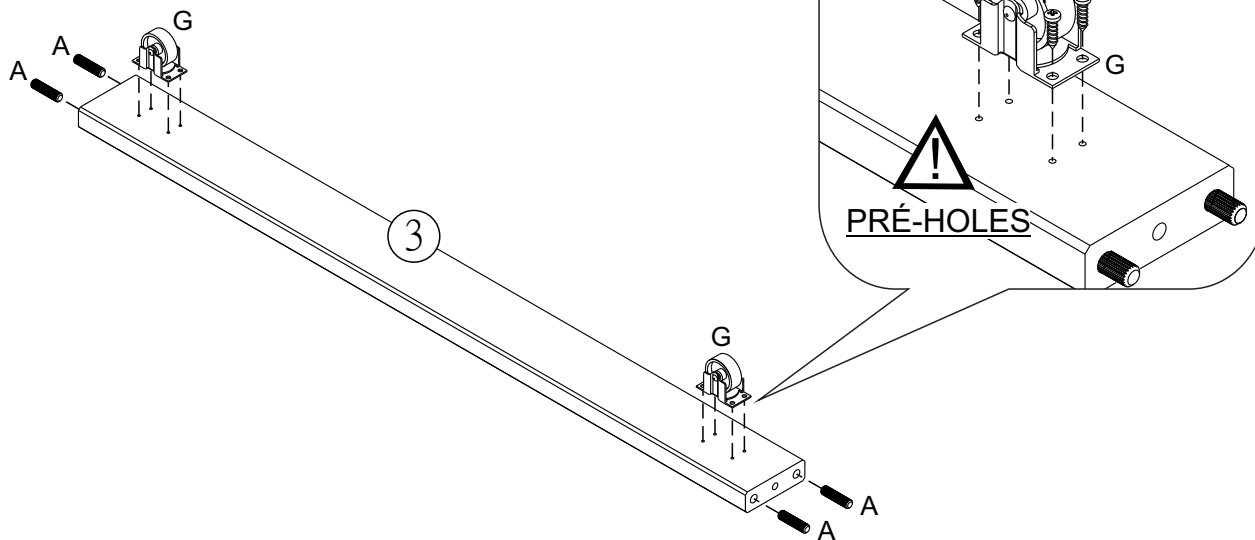
G  Qty **04**

H  Qty **01**
Hex Screwdriver


I  Qty **02**
Spacer

J  Qty **02**

01 x2



A  Qty **08**
10 x 40 Wood Dowel

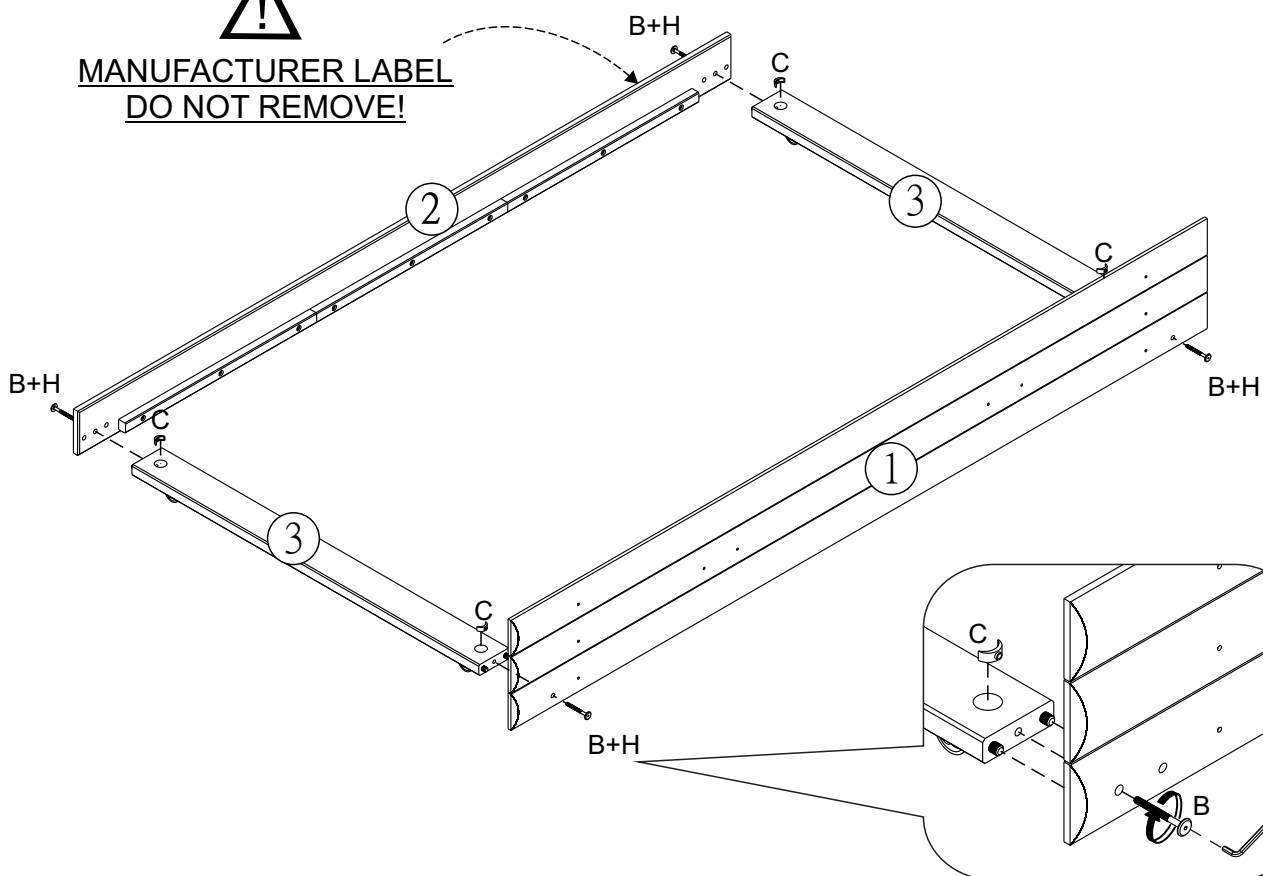
F  Qty **16**
3,5 x 16 Screw


G  Qty **04**

02



MANUFACTURER LABEL
DO NOT REMOVE!



B  Qty **04**
1/4 x 60 Screw

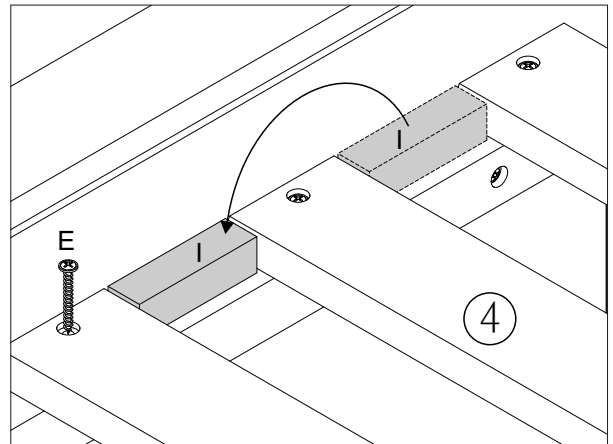
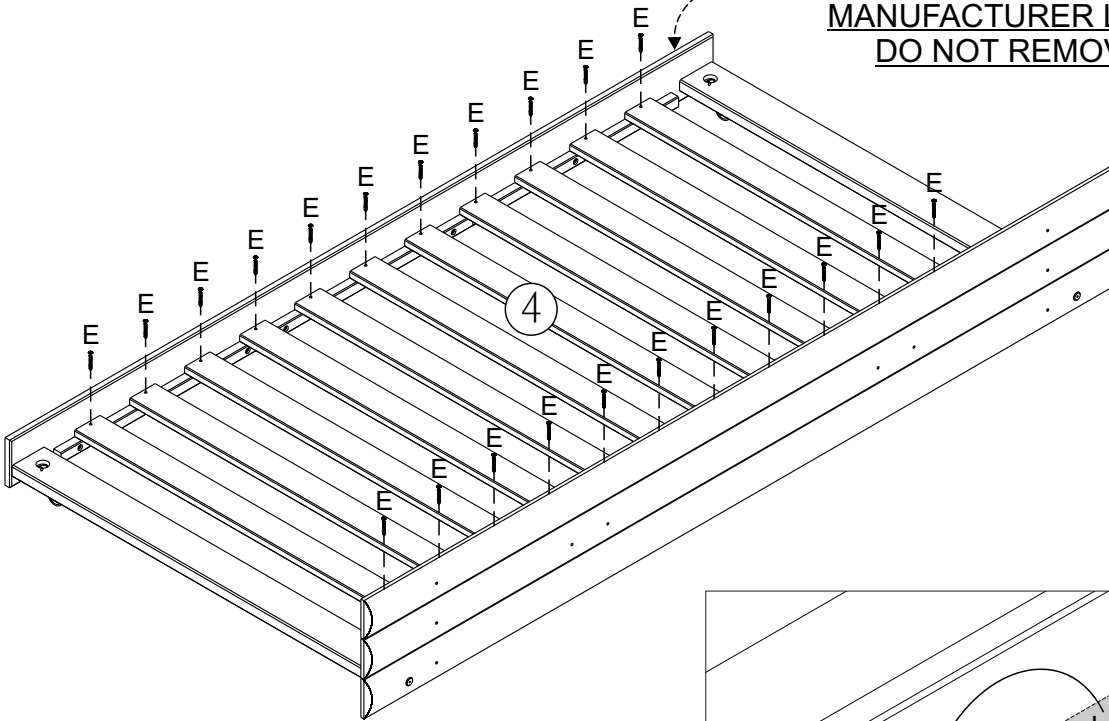
C  Qty **04**
1/4" Half Moon

H  Qty **01**
Hex Screwdriver

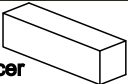
03

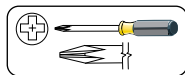


MANUFACTURER LABEL
DO NOT REMOVE!



E  Qty **22**
4,0 x 30 Screw

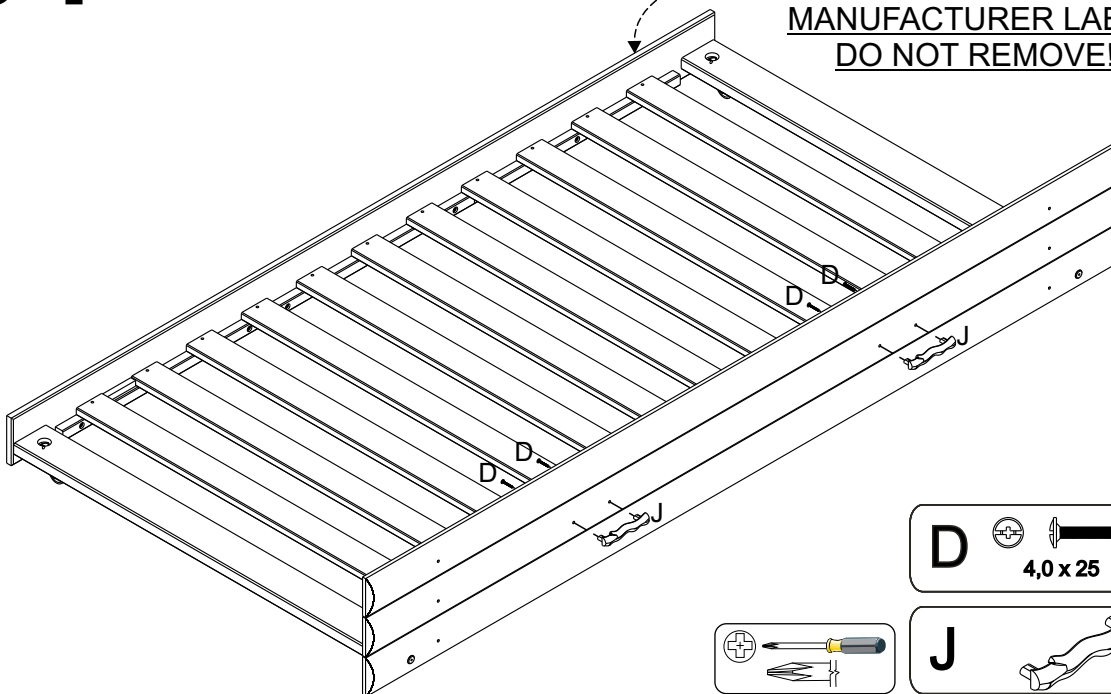
I  Qty **02**
Spacer




04



MANUFACTURER LABEL
DO NOT REMOVE!



D  Qty **04**
4,0 x 25 Screw

J  Qty **02**

