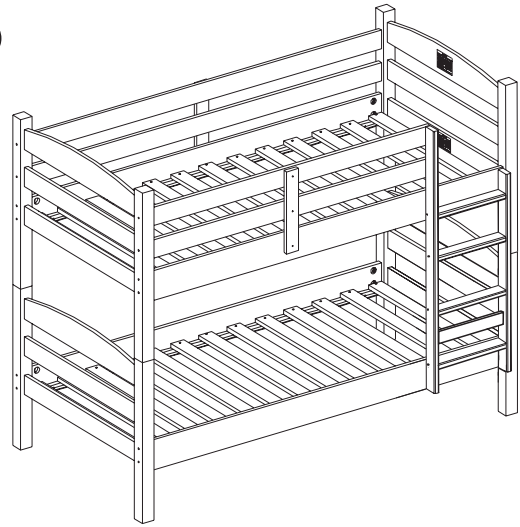


# ASSEMBLY INSTRUCTIONS

## 4100 DEVON TWIN TWIN BUNK BED

Thank you for purchasing this quality product. Be sure to check all packing material carefully for small parts which may have come loose inside the carton during shipment. Separate, identify and count all parts and hardware. Compare with the parts list to be sure all parts are present.



**"DO NOT TIGHTEN SCREWS  
UNTIL COMPLETELY ASSEMBLED"**

### SIZE OF MATTRESS

This bed is designed to use a twin mattress (  $37\frac{1}{2}$ "- $38\frac{1}{2}$ "x74-75") and foundation (  $37\frac{1}{2}$ "x74"). On upper and lower bunk.

The total thickness must not exceed  $8\frac{1}{2}$ " inches. Do not use mattress without the proper bunkie board or safe foundation.

Note: There must be at least 5" inches from top of mattress to top of guardrails.

### REPLACEMENT PARTS.

Replacement parts, including additional guardrails, may be obtained from place of purchase or original distribution.

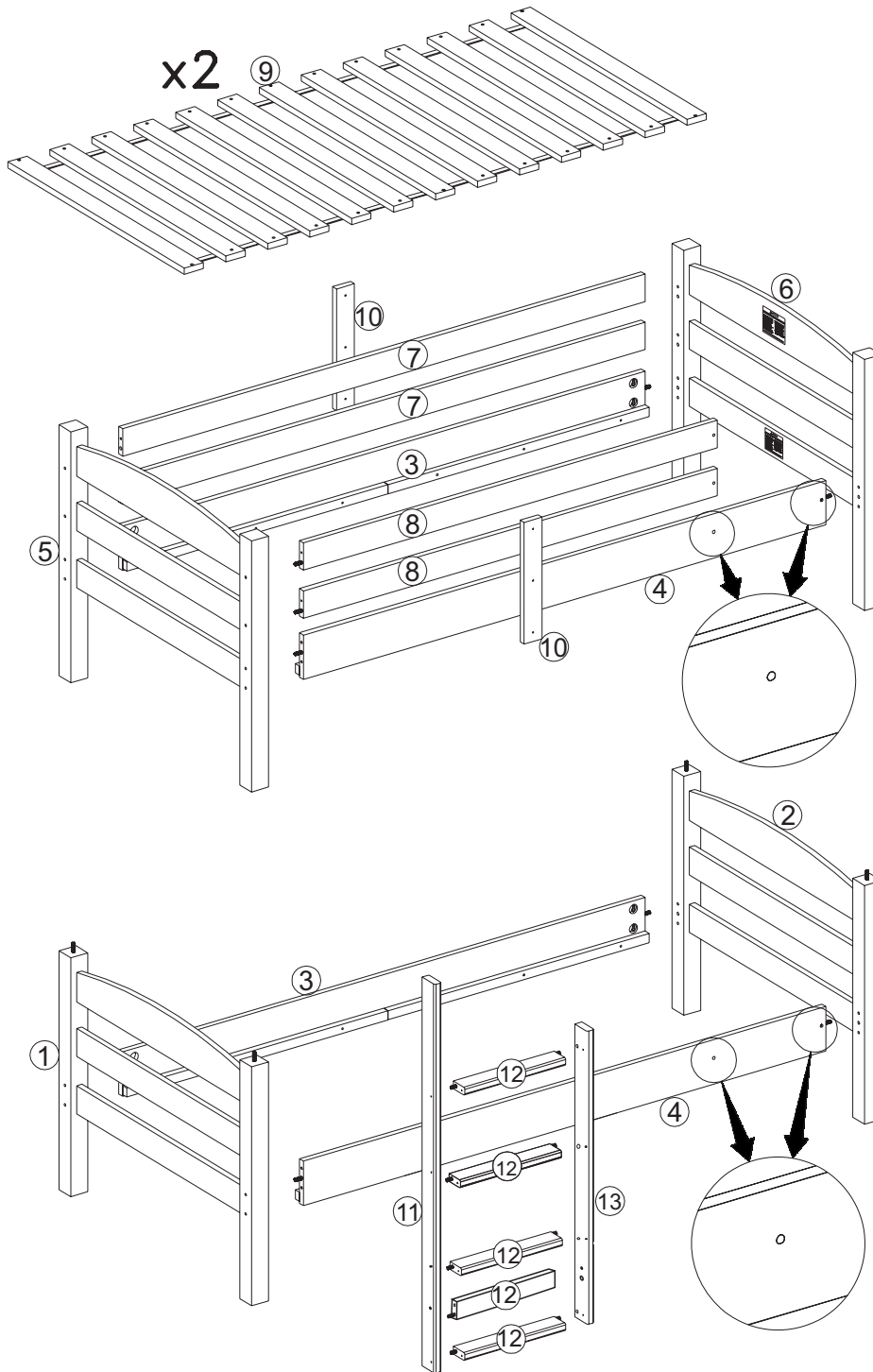
TO OBTAIN PARTS, PLEASE CONTACT: **DONCO TRADING COMPANY - FORT WORT, TEXAS**

### **SAFETY WARNINGS!**

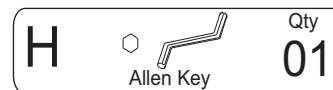
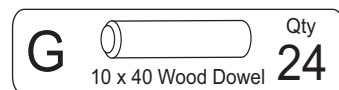
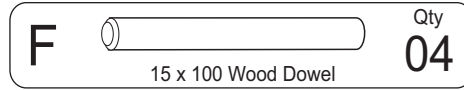
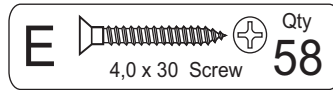
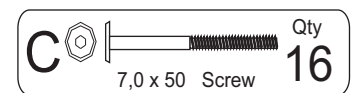
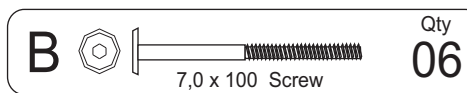
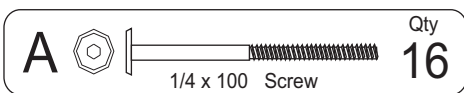
- 1- Follow the information on the warning label appearing on the upper bunk end structure and on the carton. Do not remove warning label from bed.
- 2- Always use the recommended size mattress or mattress support, or both, to help prevent the likelihood of entrapment or falls.
- 3- Surface of mattress must be at least 5 inches below the upper edge of guardrails.
- 4- Do not allow children under 6 years of age to use the upper bunk.
- 5- Prohibit more than one person on upper bunk.
- 6- Periodically check and ensure that the guardrail, ladder and other components are in their proper position, free from damage, and that all connectors are tight.
- 7- Do not allow horseplay on or under the bed and prohibit jumping on the bed.
- 8- Always use the ladder for entering and leaving the upper bunk.
- 9- Do not use substitute parts. Contact manufacturer or dealer for replacement parts.
- 10- Use of a night light may provide added safety precaution for a child using the upper bunk.
- 11- If the bunk bed will be placed next to a wall, the guardrail that runs the full length of the bed should be placed against the wall to prevent entrapment between the bed and the wall.
- 12- Always use guardrails on both long sides of the upper bunk.
- 13- The use of water or sleep flotation mattresses is prohibited.
- 14- Keep these instructions for future reference.
- 15- Strangulation Hazard - Never attach or hang items to any part of the bunk bed that are not designed for use with the bed: for example, but not limited to, hooks, belts, and jump ropes, etc.



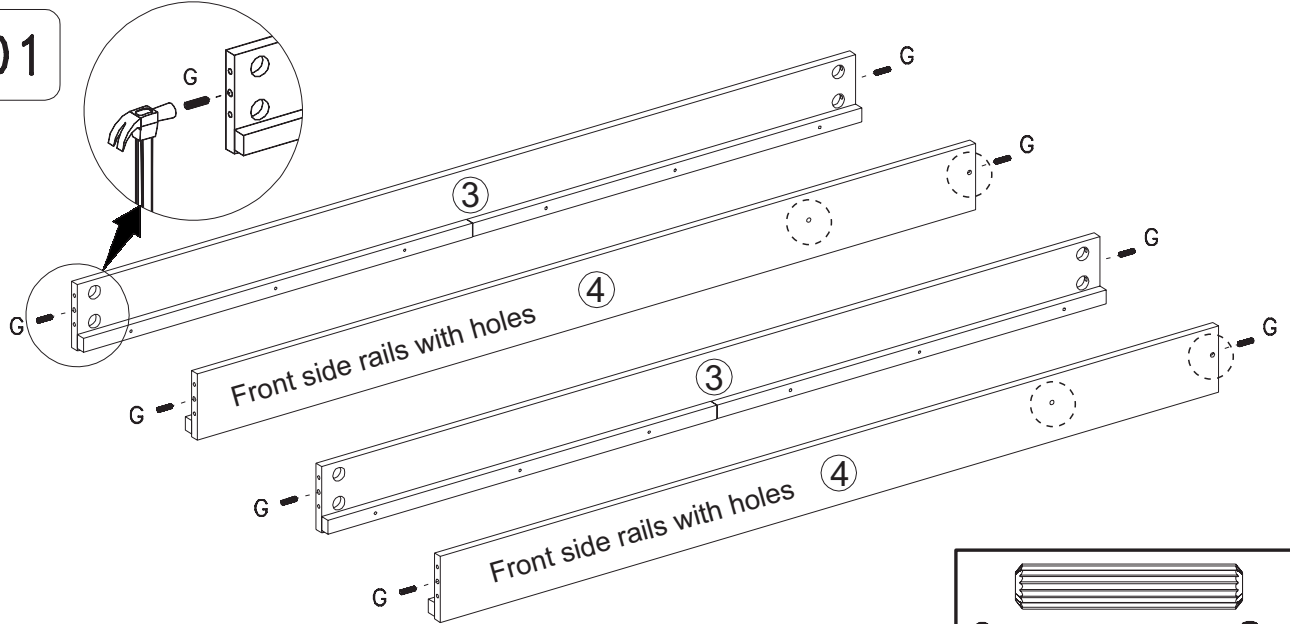
**IMPORTANT: PLEASE READ INSTRUCTIONS BEFORE STARTING THE ASSEMBLY**



**Identifying the Hardware/part list** - Identify the hardware using the illustrations below.

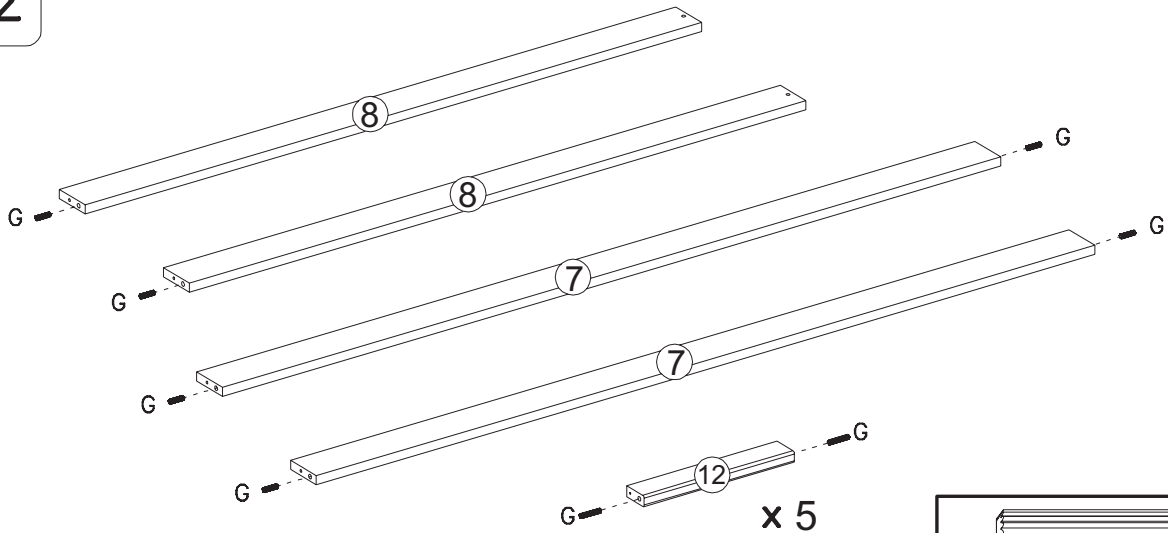


01



<b>G</b>		<b>8x</b>
	10 x 40	

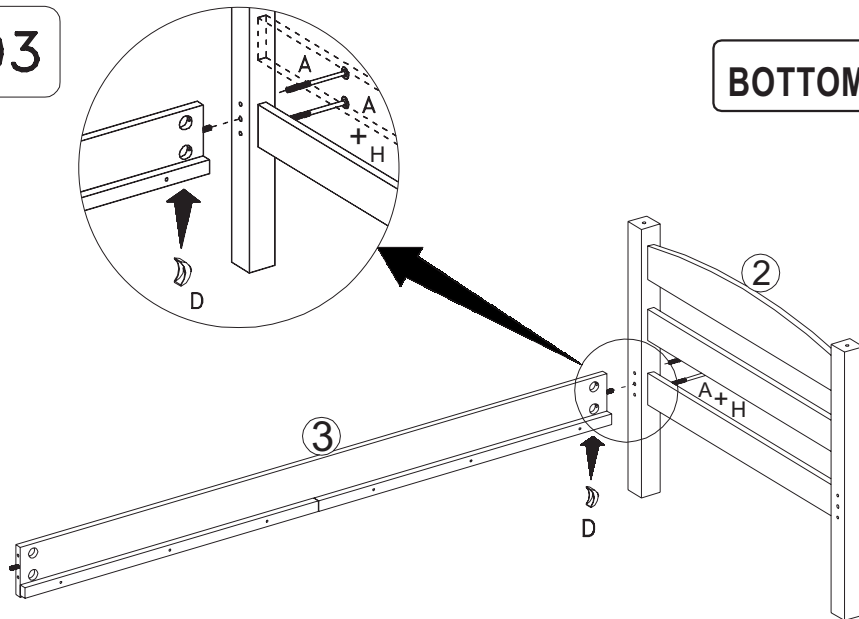
02



<b>G</b>		<b>16x</b>
	10 x 40	

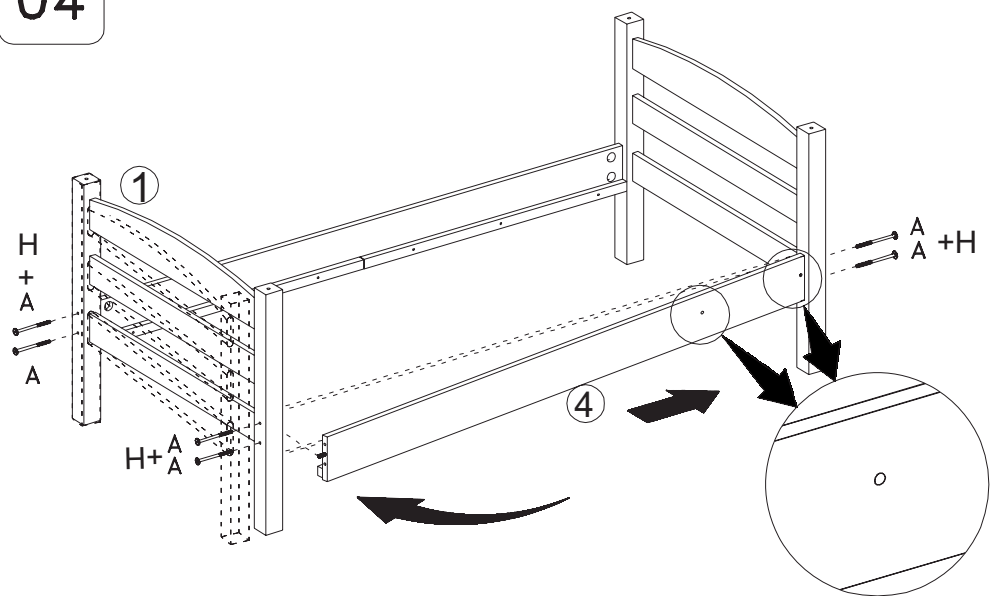
03



**BOTTOM BED**



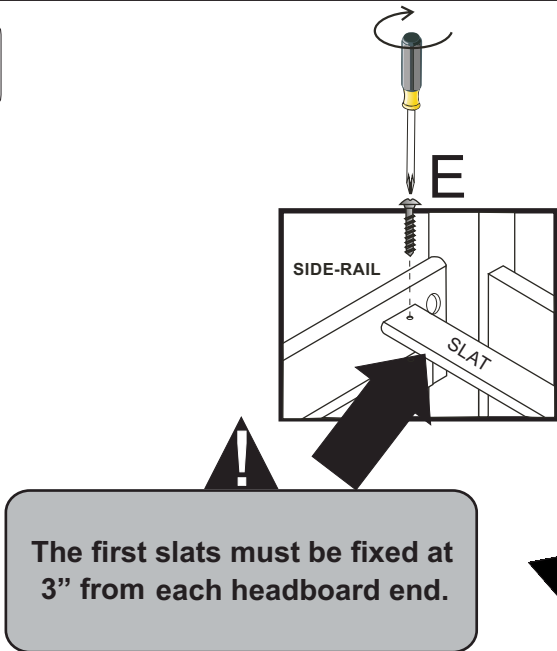
<b>A</b>		<b>2x</b>
	1/4 x 100	
<b>D</b>		<b>2x</b>
<b>H</b>		<b>1x</b>

04

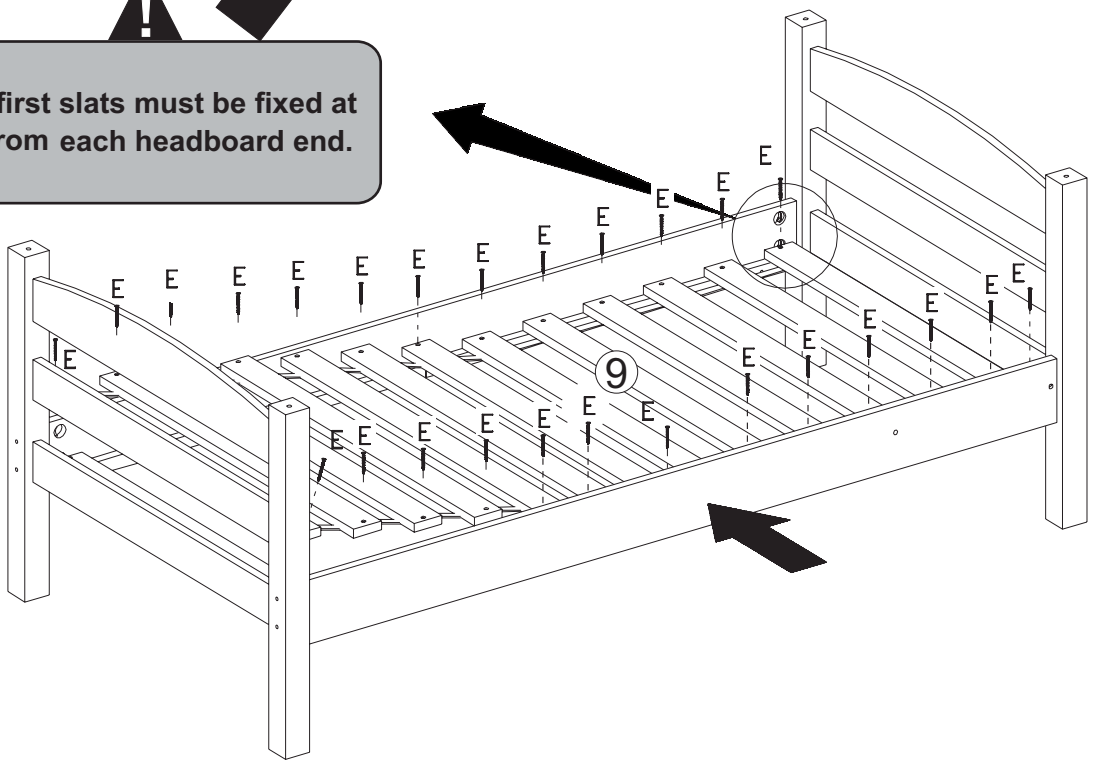



A	1/4 x 100	6x
D		6x
H		1x

05



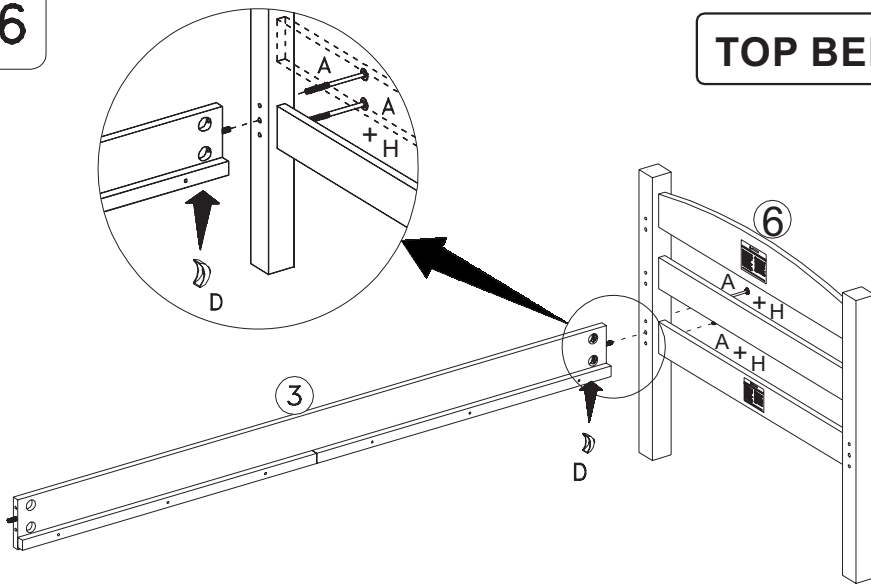
**! "INSTALL SLAT KIT WITH SPACER TAPE ON TOP (FACING UP)"**

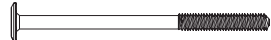

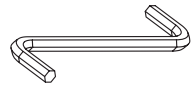


E		4,0 x 30	26x
---	---	----------	-----

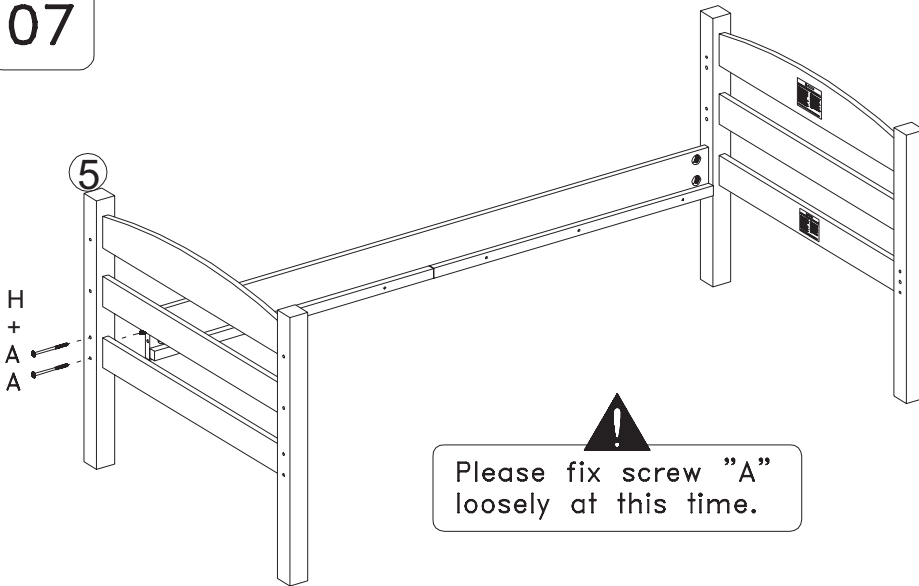
06

TOP BED

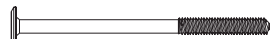

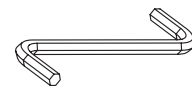


A		1/4 x 100	2x
D			2x
H			1x

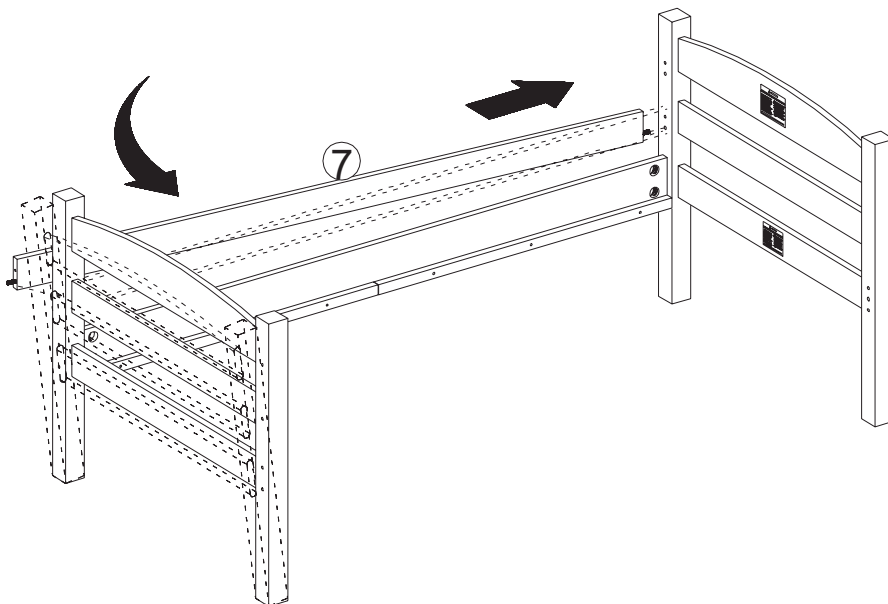
07



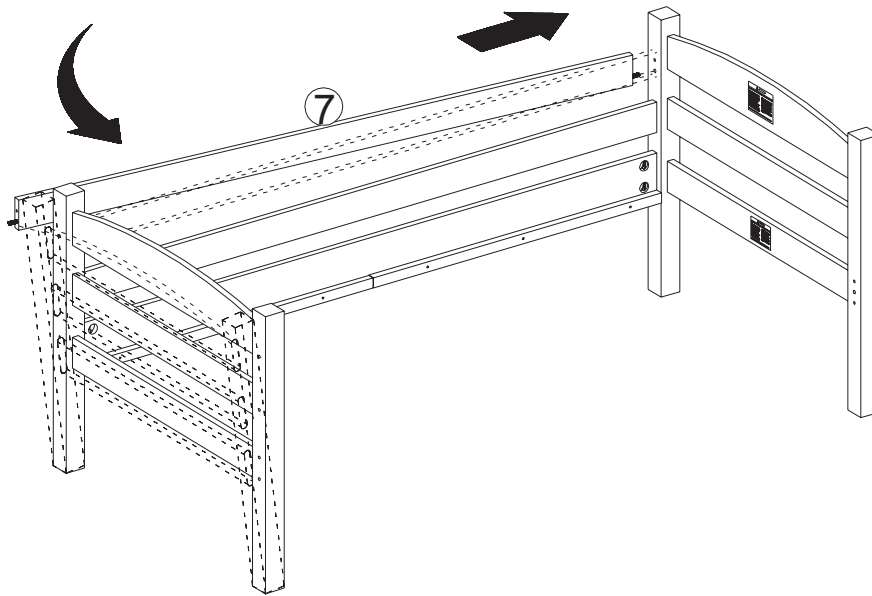
Please fix screw "A" loosely at this time.

A		1/4 x 100	2x
D			2x
H			1x

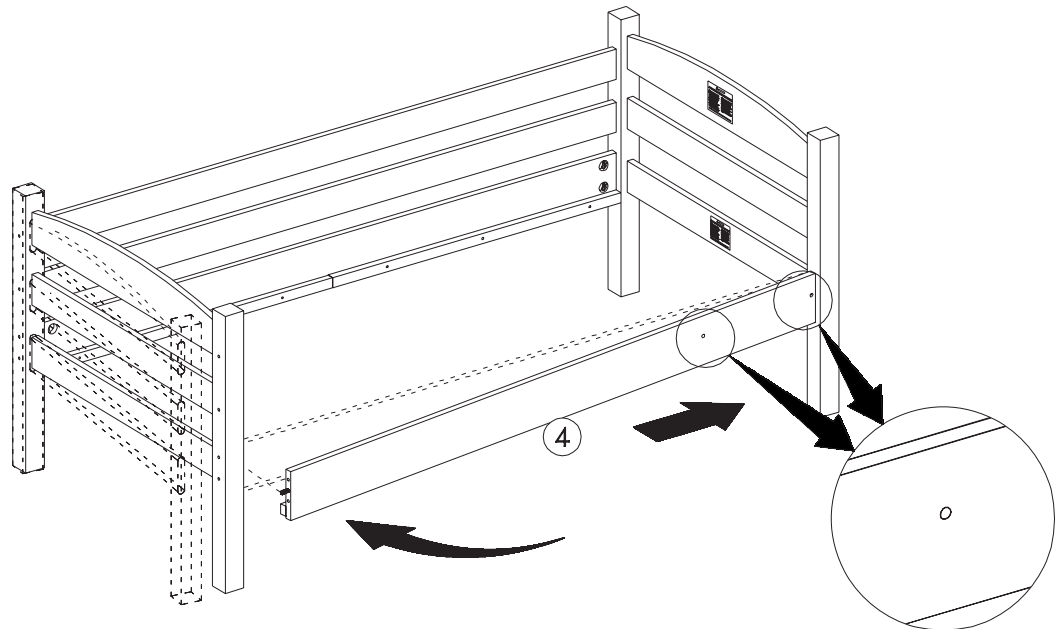
08



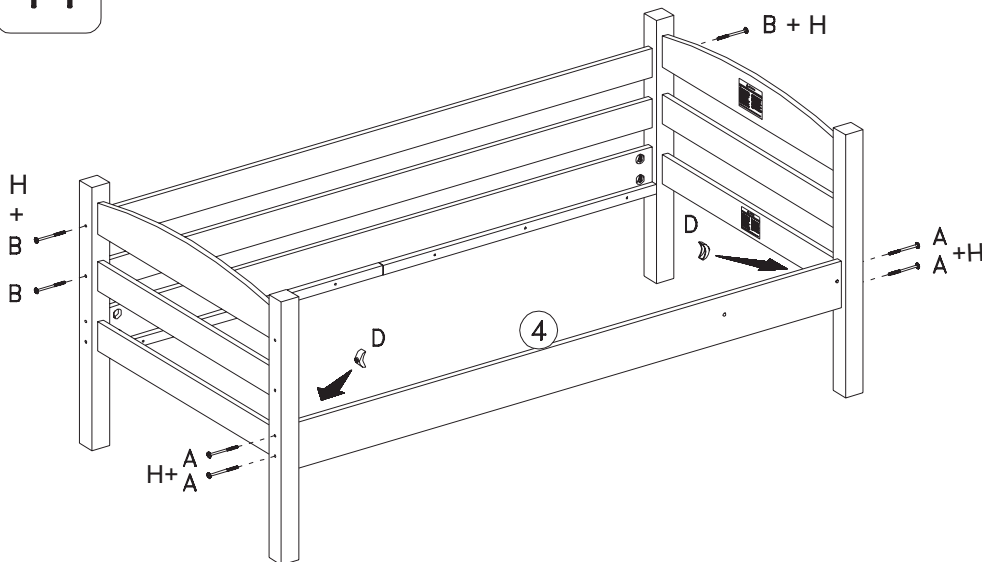
09

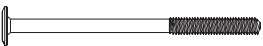
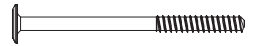

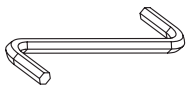


10

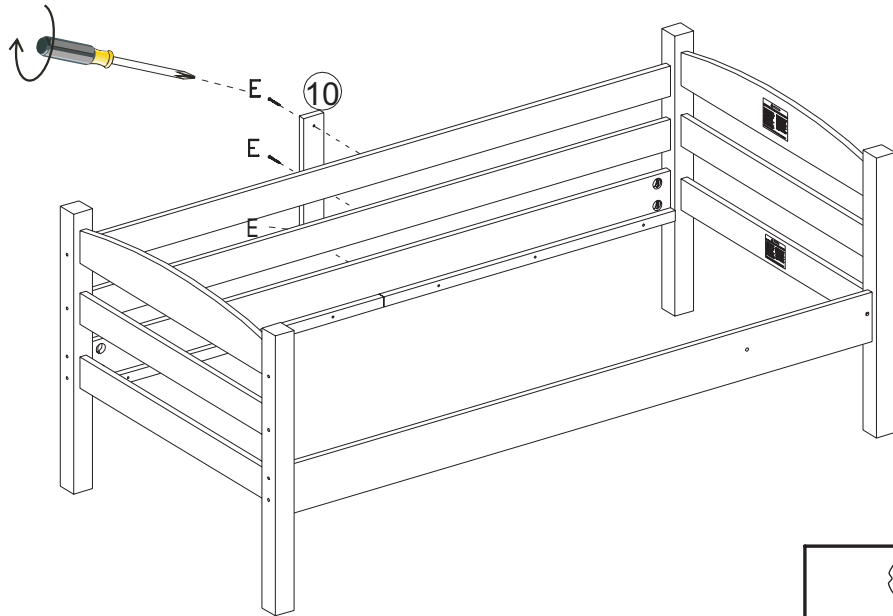



11



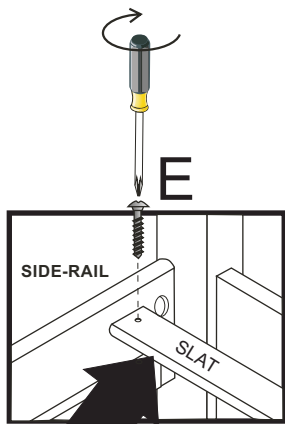
	<b>A</b>	1/4 x 100	4x
	<b>B</b>	7.0 x 100	4x
	<b>D</b>		4x
	<b>H</b>		1x

12




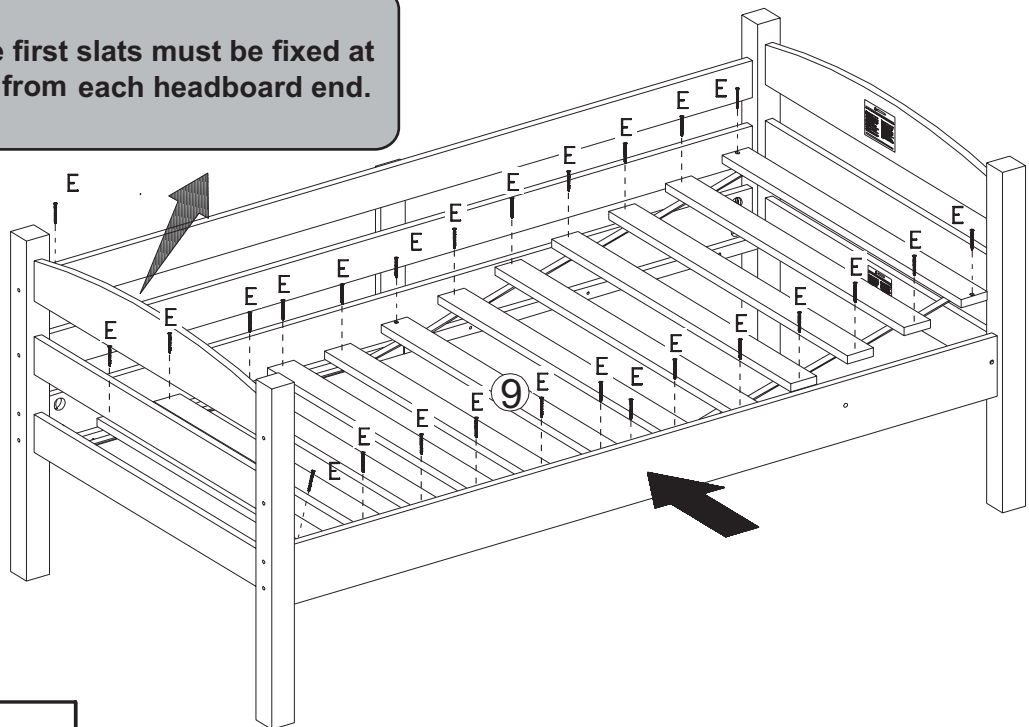
 E 4,0 x 30 3x


13



  
 "INSTALL SLAT KIT WITH SPACER  
 TAPE ON TOP (FACING UP)"

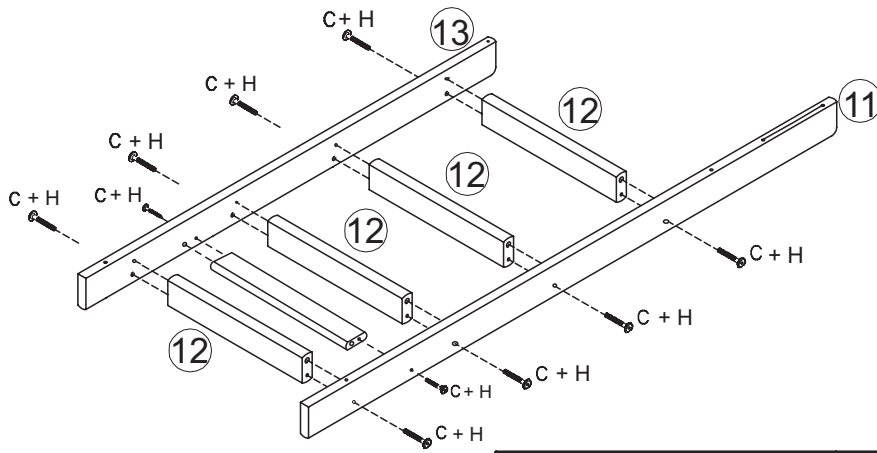
  
 The first slats must be fixed at  
 3" from each headboard end.





 E 4,0 x 30 26x

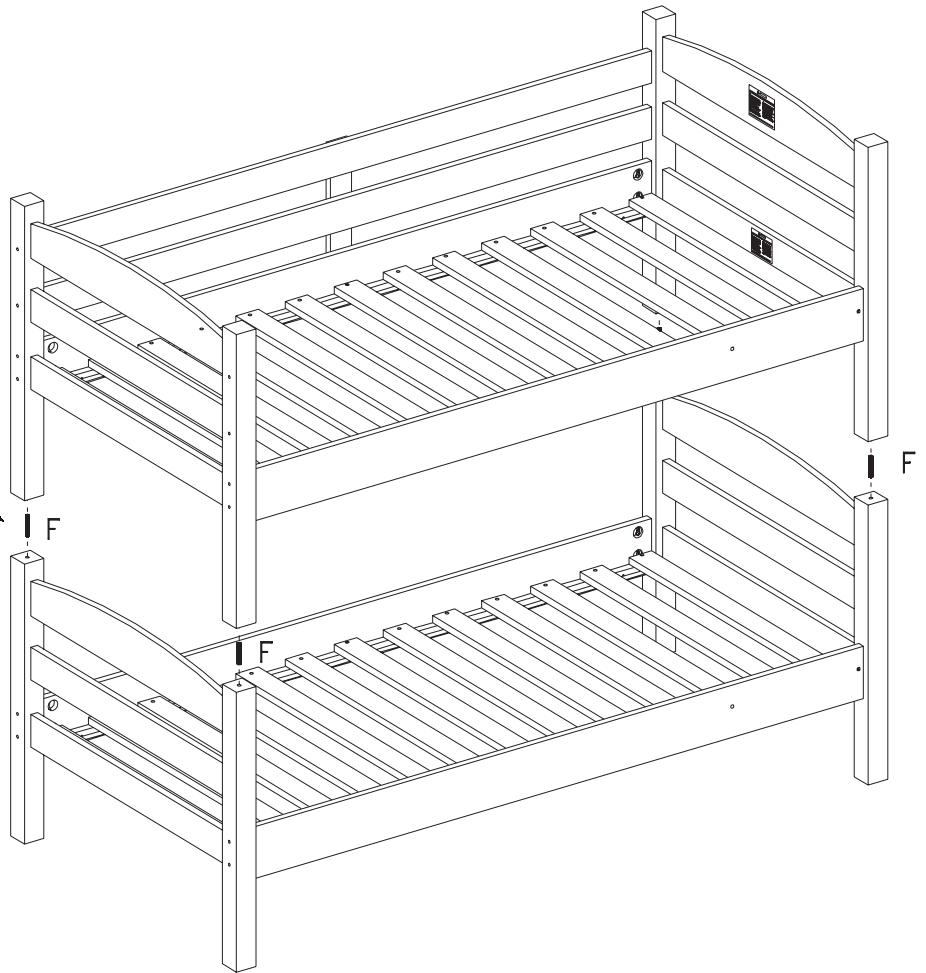
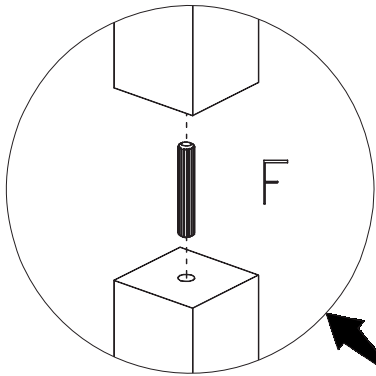
14


LADDER



	
<b>C</b> 7.0 x 50 10x	<b>H</b> 1x

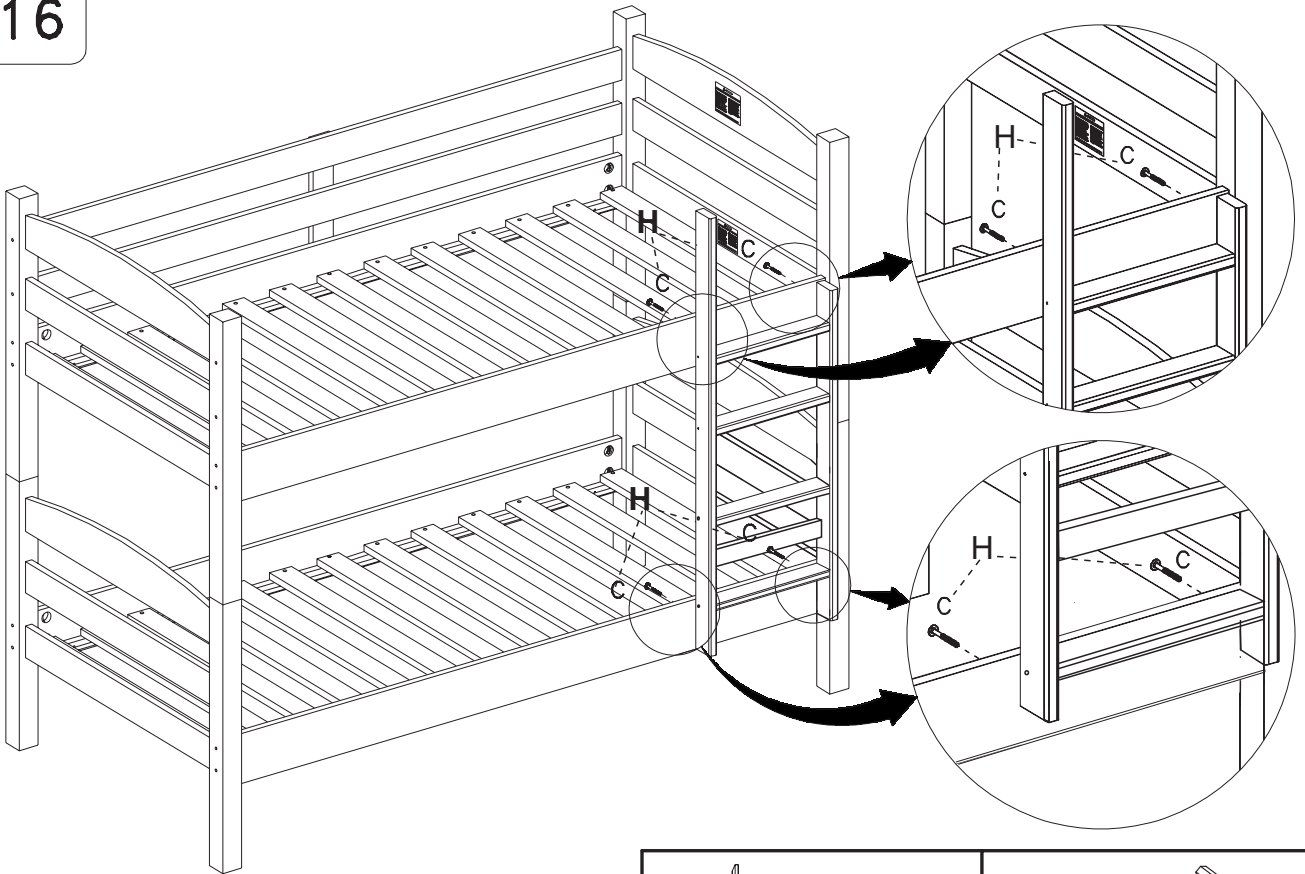
15

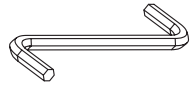



<b>F</b> 15 x 100 4x

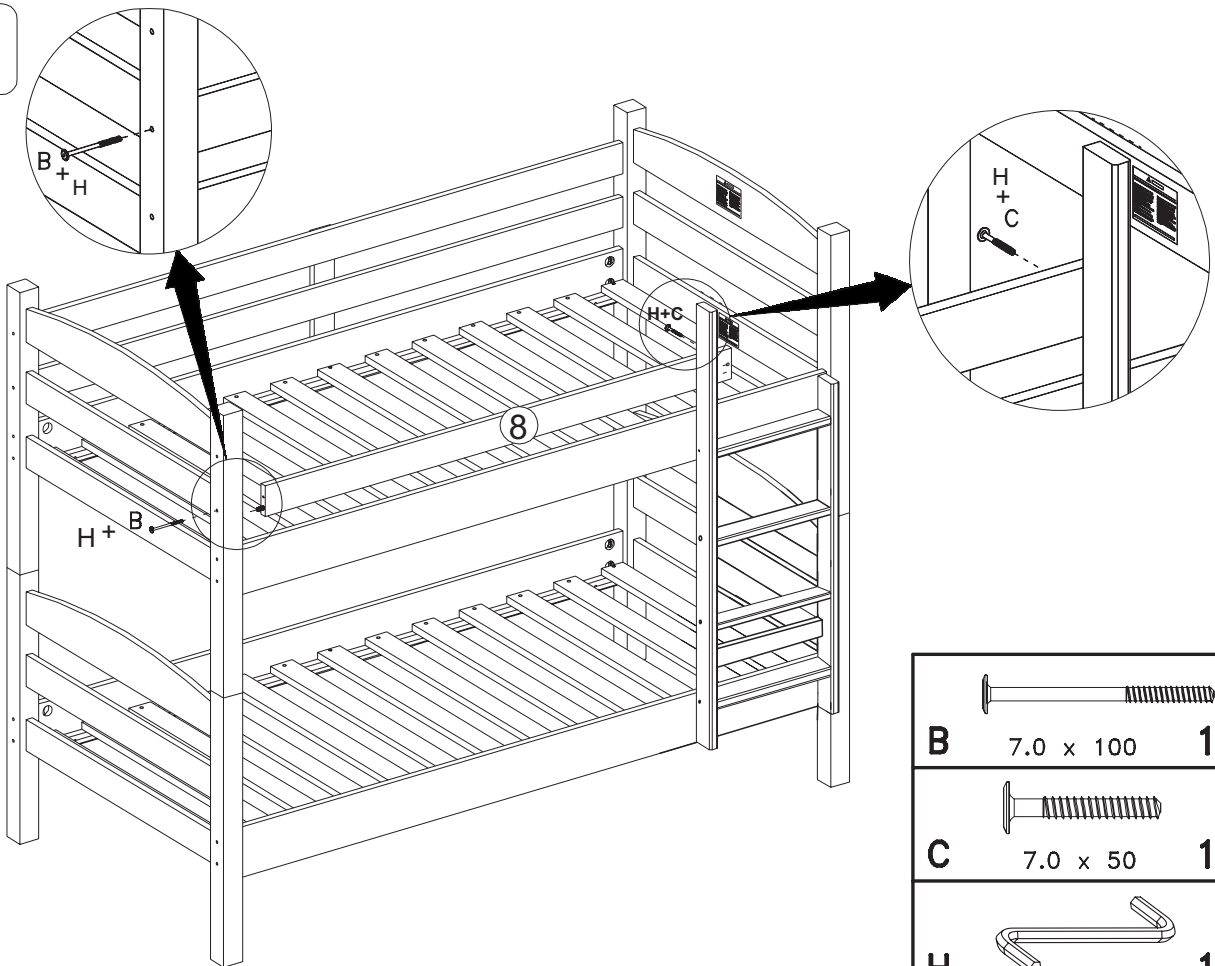


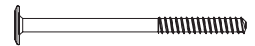


16



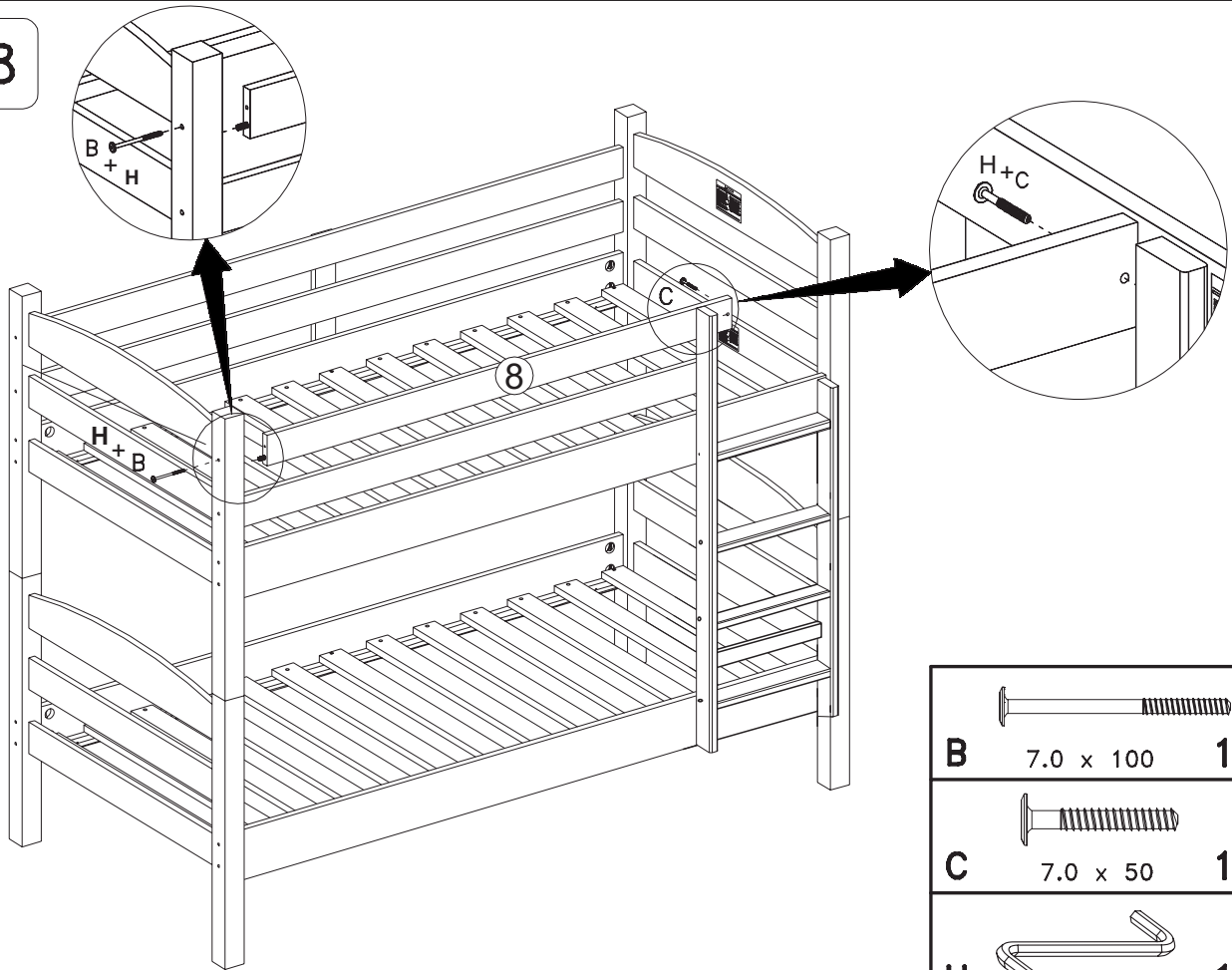
<b>C</b>		7.0 x 50	<b>4x</b>	<b>H</b>		<b>1x</b>
----------	--	----------	-----------	----------	---	-----------

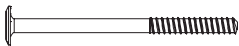

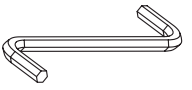
17



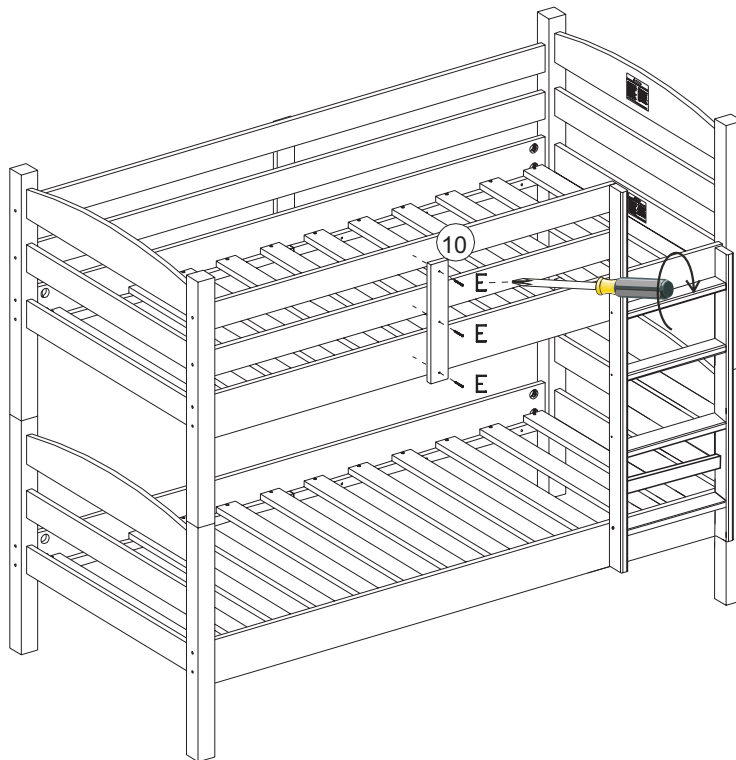
<b>B</b>		7.0 x 100	<b>1x</b>
<b>C</b>		7.0 x 50	<b>1x</b>
<b>H</b>			<b>1x</b>

18




	<b>B</b>	7.0 x 100	<b>1x</b>
	<b>C</b>	7.0 x 50	<b>1x</b>
	<b>H</b>		<b>1x</b>

19



**!**  
WHEN FULLY ASSEMBLED PLEASE  
ENSURE ALL SCREWS ARE TIGHTENED.

	<b>E</b>	4.0 x 30	<b>3x</b>
---	----------	----------	-----------