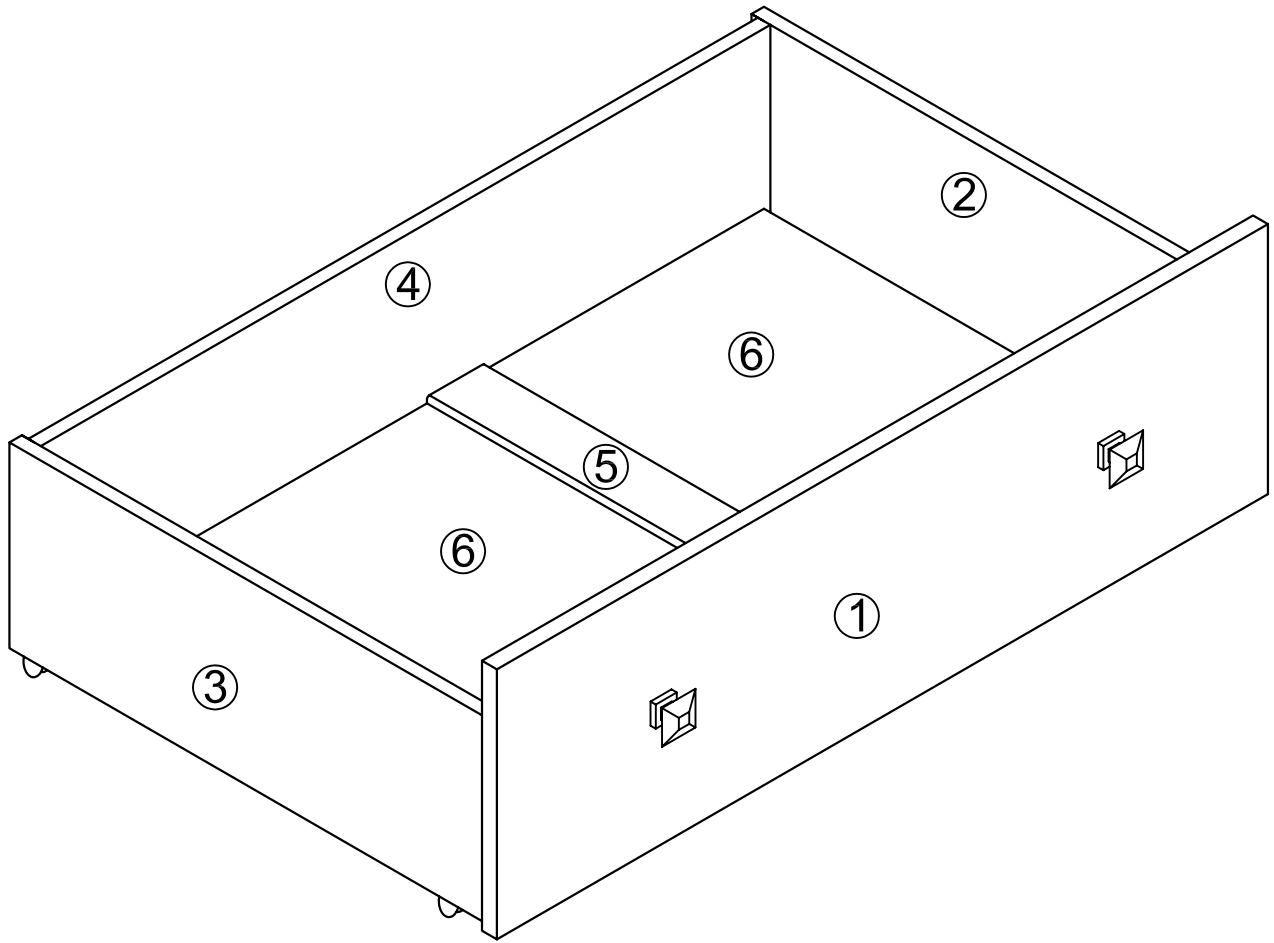
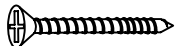
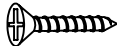
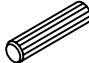



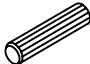


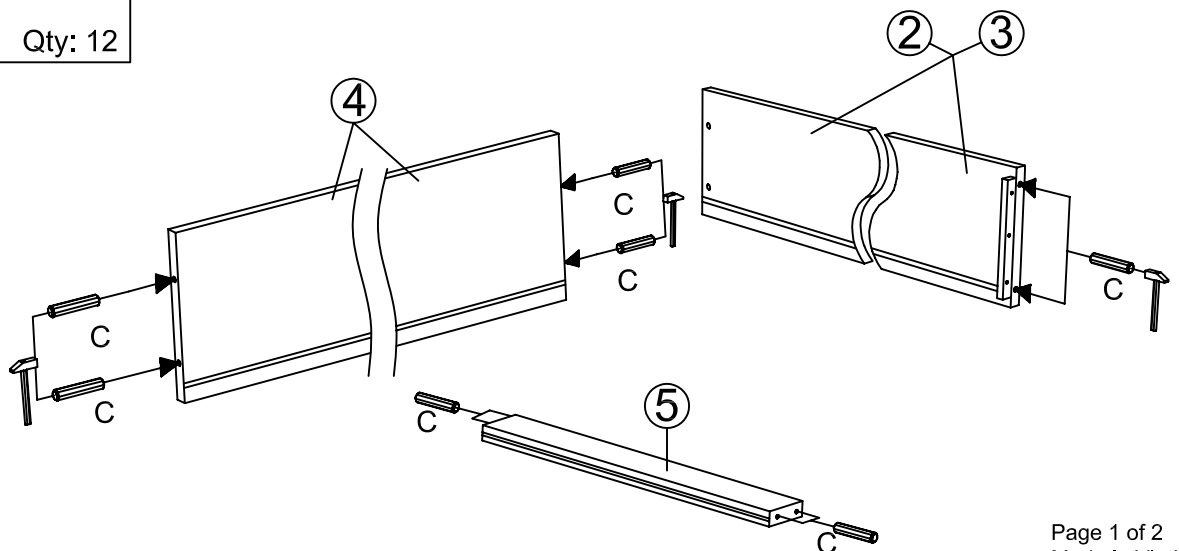
# ASSEMBLY INSTRUCTIONS - DUAL UNDERBED DRAWER CAPPUCCINO



<b>A</b>	 Ø4X30mm Qty: 12	<b>B</b>	 Ø3x 15mm Qty: 16	<b>C</b>	 Ø8x30mm Qty: 12
<b>D</b>	 Qty: 04	<b>E</b>	 Qty: 02	<b>F</b>	 Ø4x 25mm Qty: 02

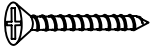
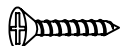

## Step 01

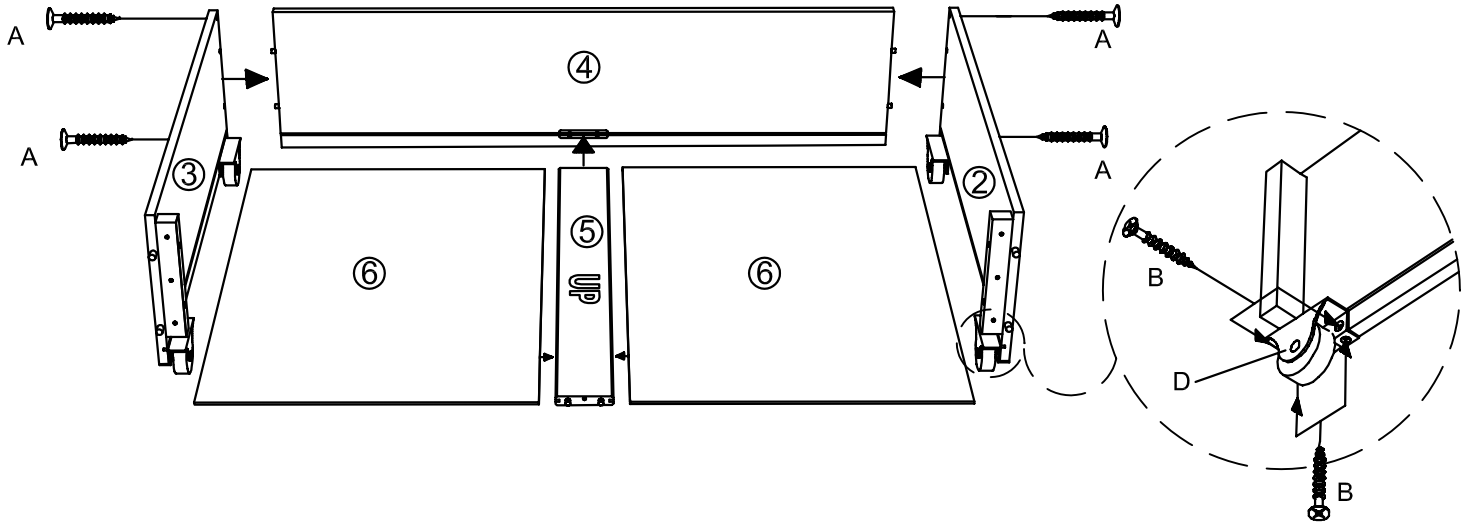
<b>C</b>	 Ø8x30mm Qty: 12
----------	--



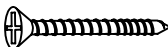


# ASSEMBLY INSTRUCTIONS - DUAL UNDERBED DRAWER CAPPUCCINO

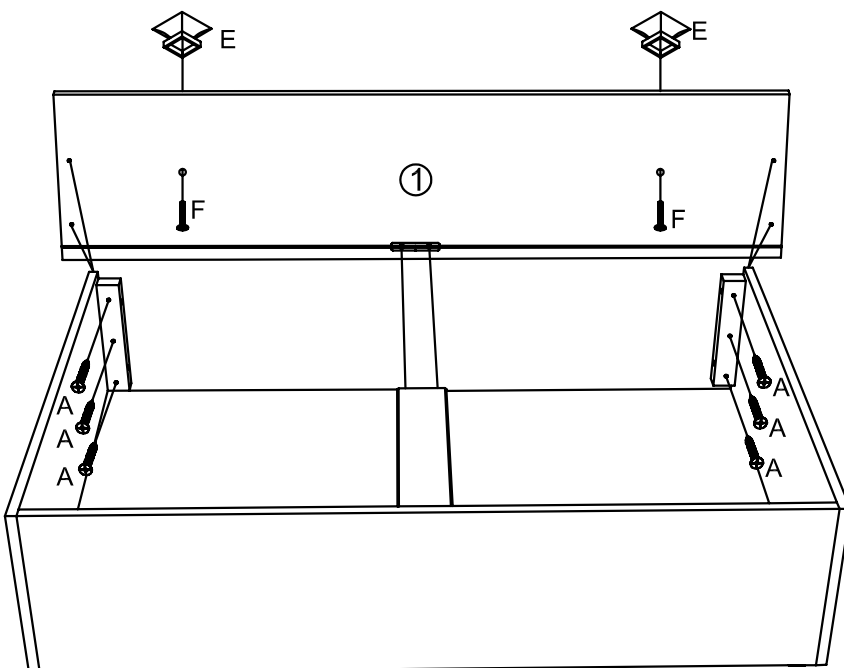
## Step 02

<b>A</b>	 Ø4X30mm	Qty: 04	<b>B</b>	 Ø3x 15mm	Qty: 16	<b>D</b>	 Qty: 04
----------	--	---------	----------	---	---------	----------	---

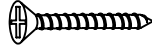


## Step 03

<b>A</b>	 Ø4X30mm	Qty: 06	<b>E</b>	 Qty: 02
<b>F</b>	 Ø4x 25mm	Qty: 02		



## Step 04

<b>A</b>	 Ø4X30mm	Qty: 02
----------	--	---------

