

# About the Wood and Finish

This product has been carefully crafted of: MDF, solid pine wood and/or pine veneers. These materials derive from plantations, a renewable and well managed forest, therefore, not endangering the environment. The highest quality standards have been implemented to assure a sturdy and reliable product. Due to the natural variances in the

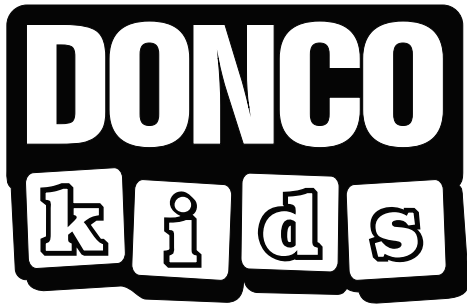
graining of wood, you may notice subtle differences in the shading and tone of the color stain, warp, holes, wood knots and also small cracks. This is not a defect. But rather a result of the natural beauty of the wood itself.

## Care and maintenance:

Dust when needed using a smooth, dry cloth. Household furniture polish can be used occasionally to restore luster.



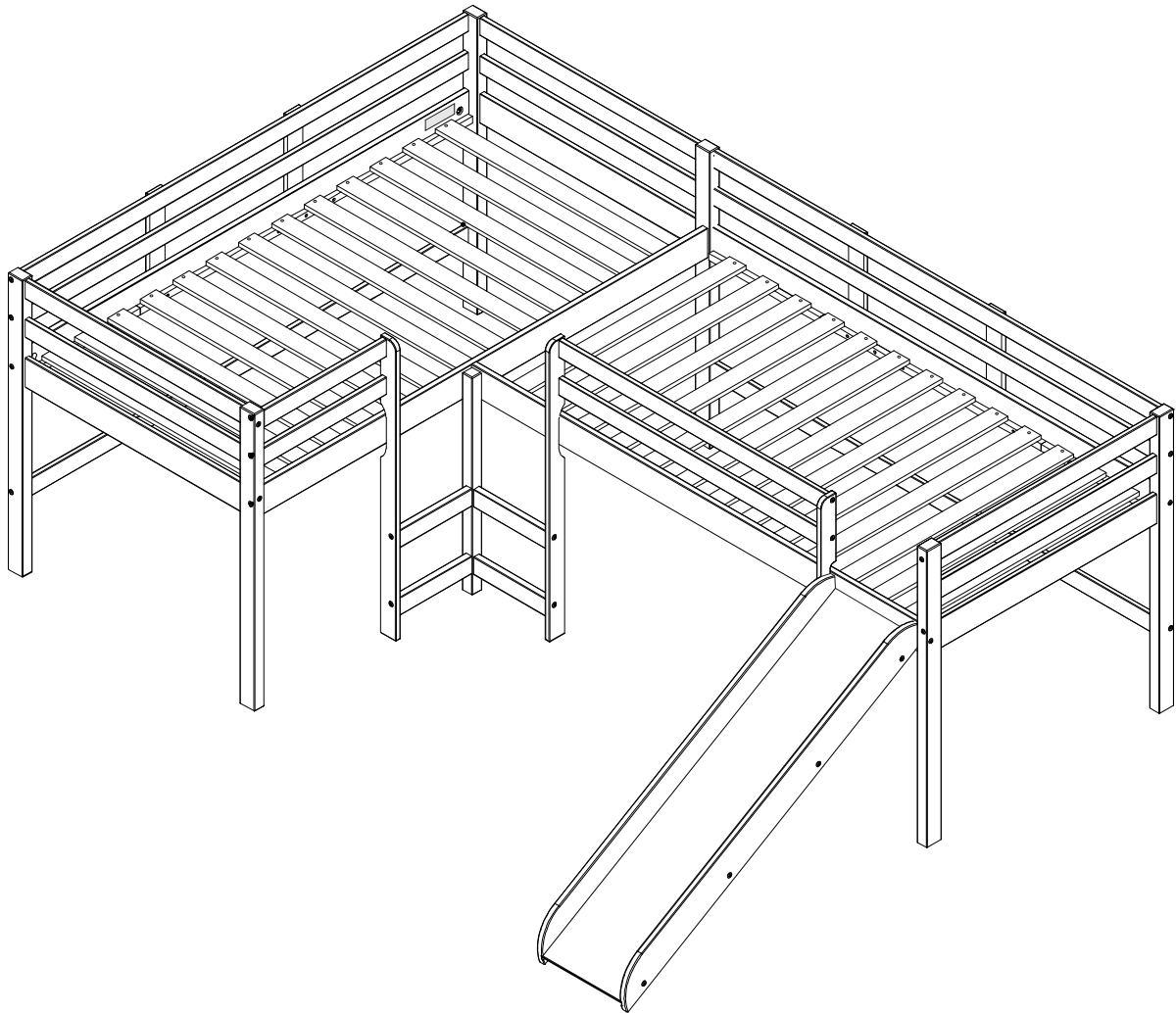




Fort Worth, Texas 76140

**ASSEMBLY INSTRUCTIONS**

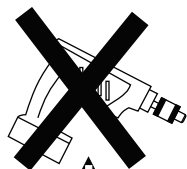
**7600 DOUBLE TWIN LOFT**



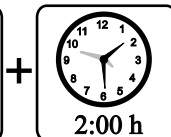
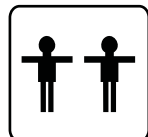
Thank you for purchasing this quality product. Be sure to check all packing material carefully for small parts which may have come loose inside the carton during shipment. Separate, identify and count all parts and hardware.

Compare with the parts list to be sure all parts are present.

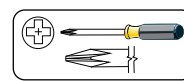
**"DO NOT TIGHTEN SCREWS UNTIL COMPLETELY ASSEMBLED"**



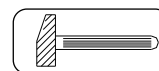
**\* Use of power tool to assemble this product will invalidate any claim and damage this product making unsafe !!!**  
**\* Please assemble on a clean soft surface to avoid damage.**



**Tools Required**



(Not included)



(Not included)

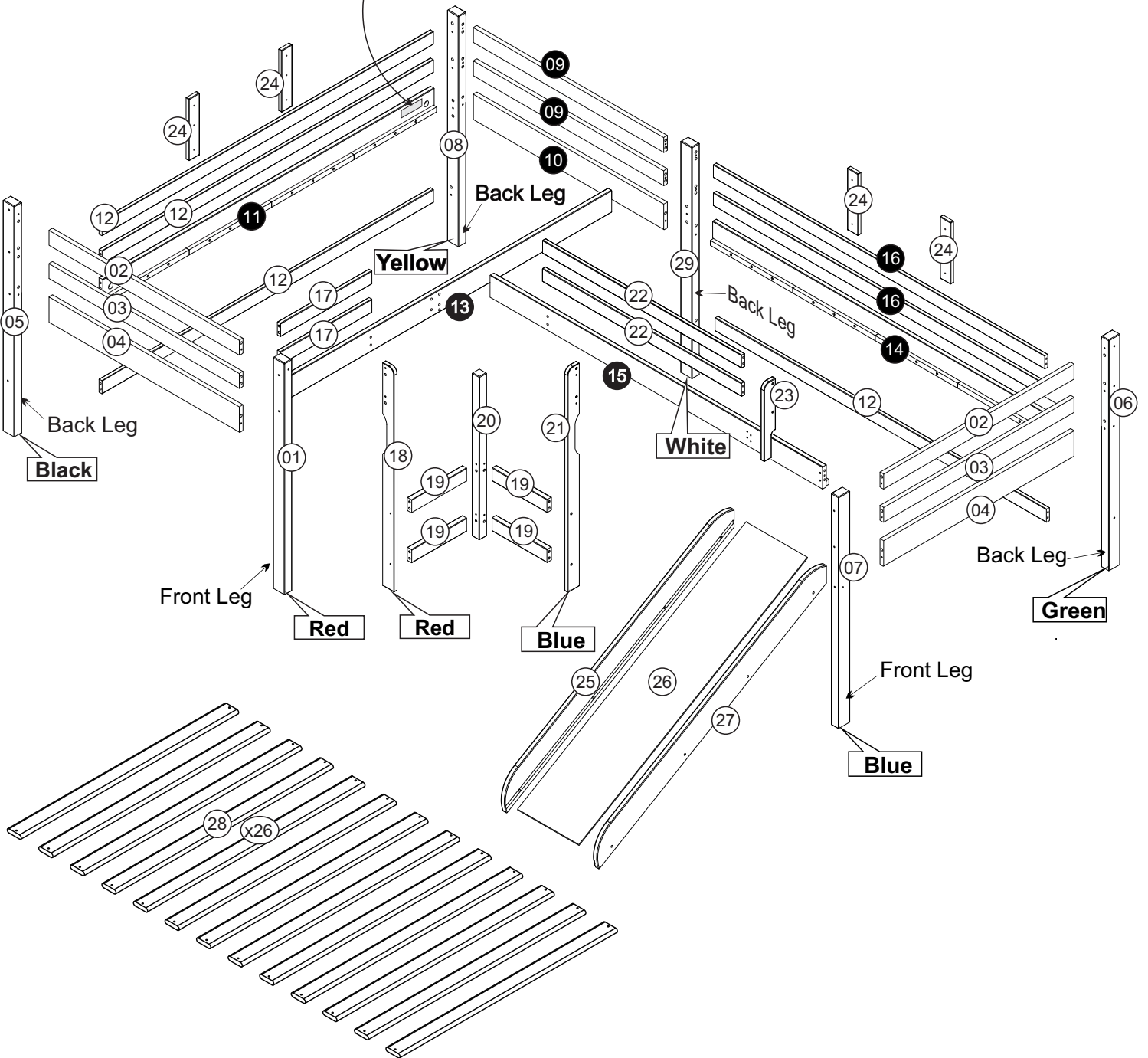
**IMPORTANT :**

**PLEASE READ INSTRUCTION BEFORE STARTING THE ASSEMBLY**

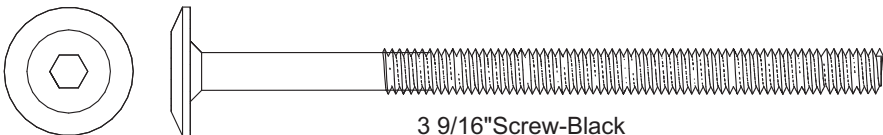
# Part List - 7600 DOUBLE TWIN LOFT

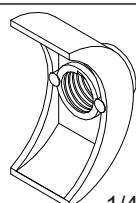


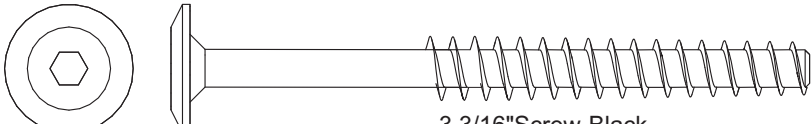
**MANUFACTURER LABEL  
DO NOT REMOVE!**

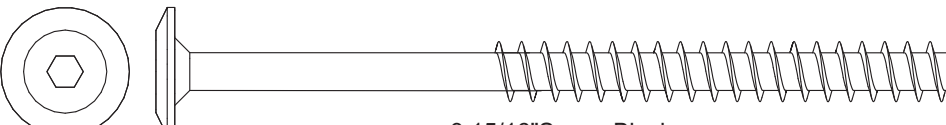


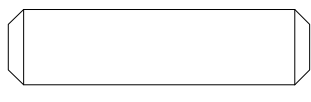
# Identifying the Hardware - Identify the hardware using the illustrations below.

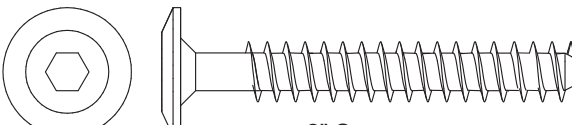
**A**  Qty **07**  
3 9/16" Screw-Black

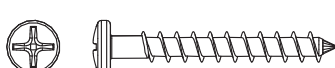
**B**  Qty **07**  
1/4" Half Moon

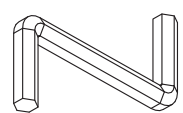
**C**  Qty **15**  
3 3/16" Screw-Black

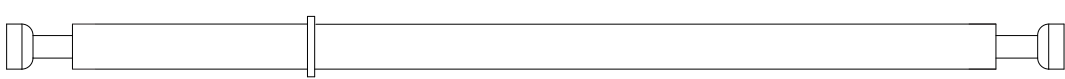
**D**  Qty **12**  
3 15/16" Screw-Black

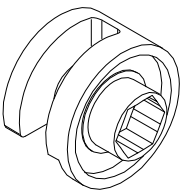
**E**  Qty **71**  
1 9/16" Wood Dowel

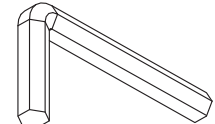
**F**  Qty **30**  
2" Screw

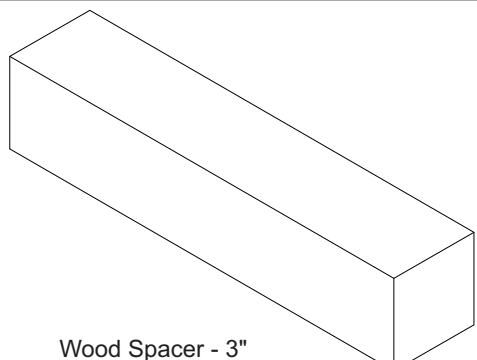
**G**  Qty **64**  
1 3/16" Screw-Black

**H**  Qty **01**  
Hex Screwdriver 1/8"

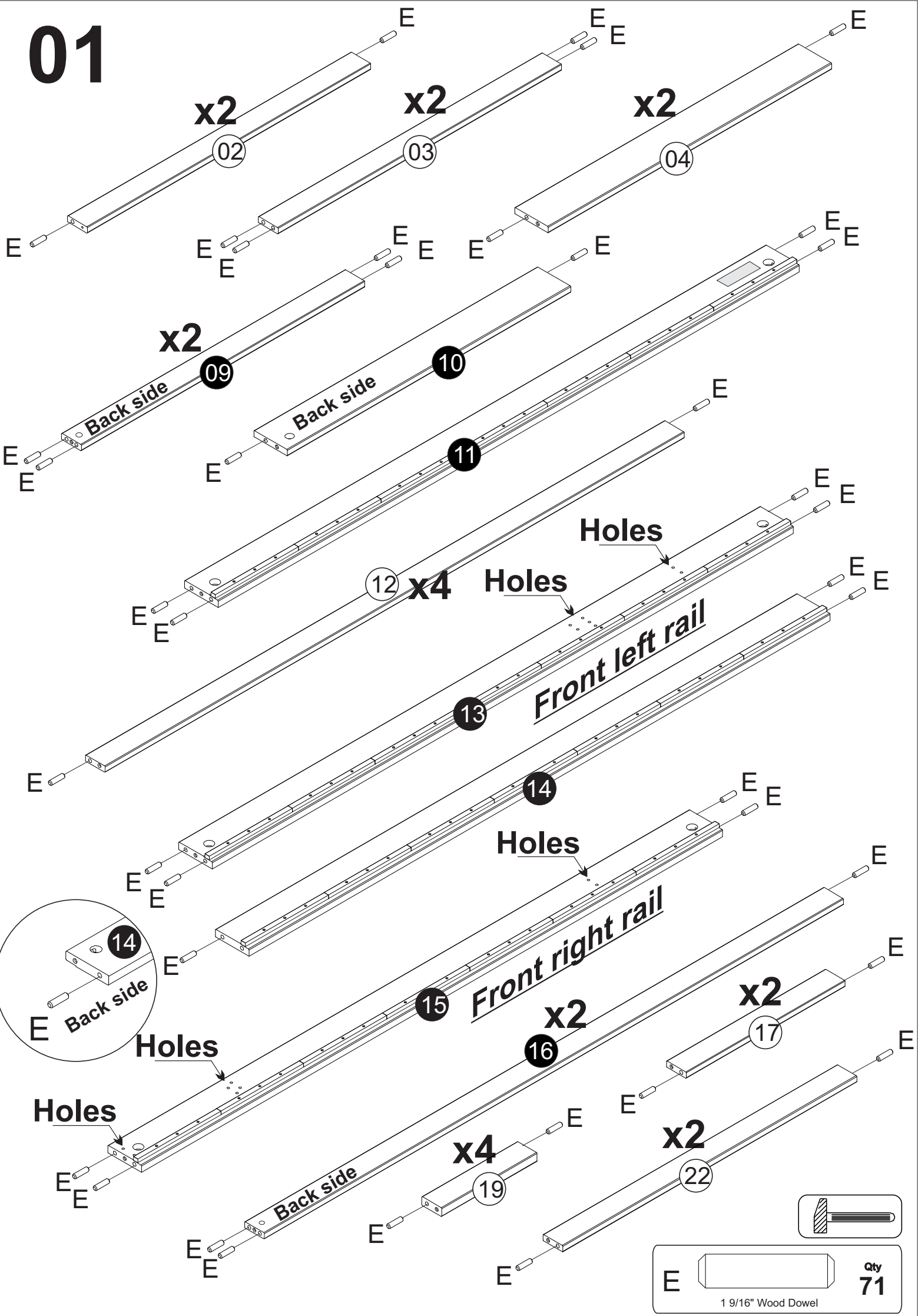
**I**  Qty **03**  
5 1/8" Screw

**J**  Qty **06**

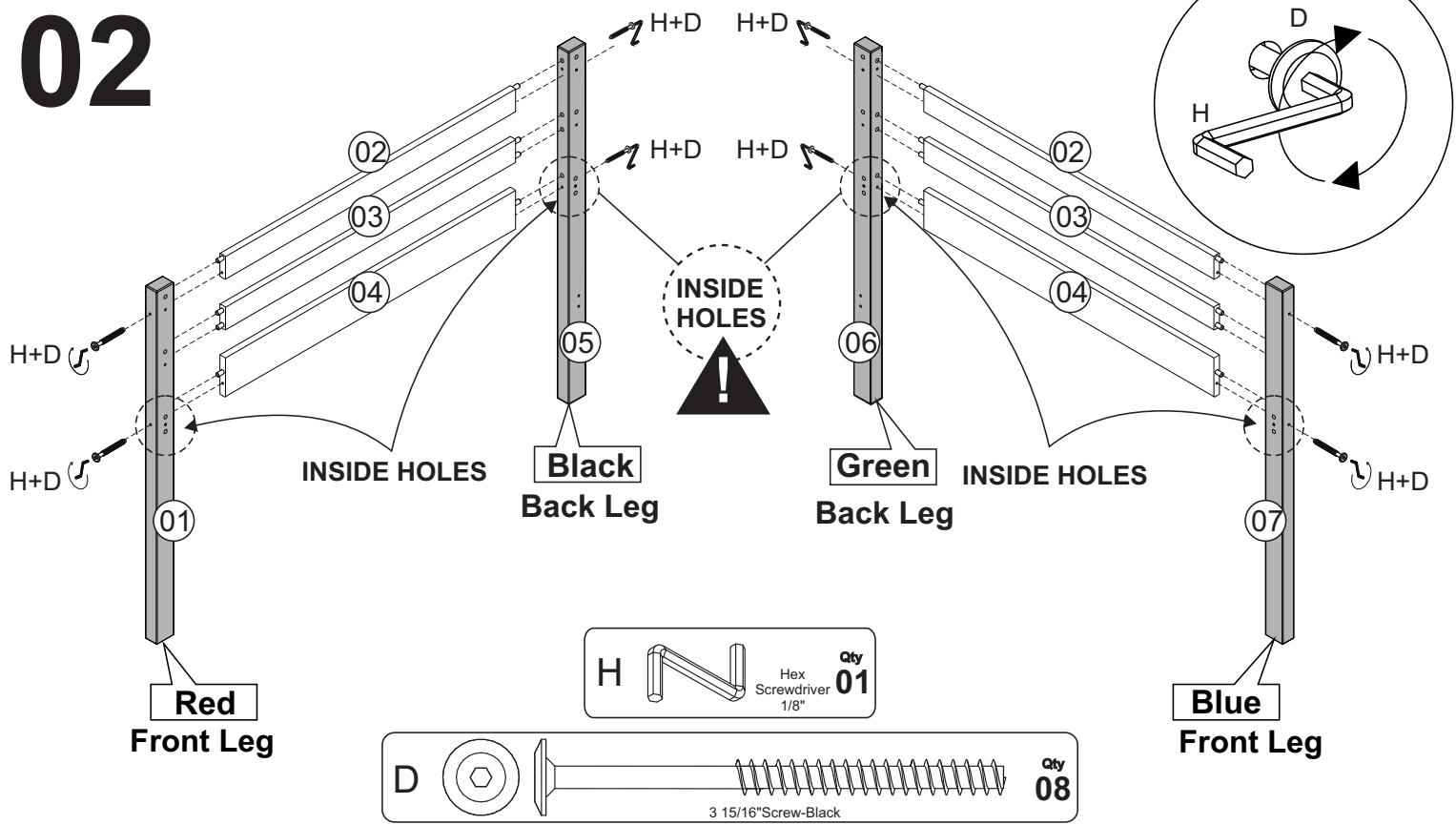
**K**  Qty **01**  
Hex Screwdriver 1/4"

**L**  Qty **02**  
Wood Spacer - 3"

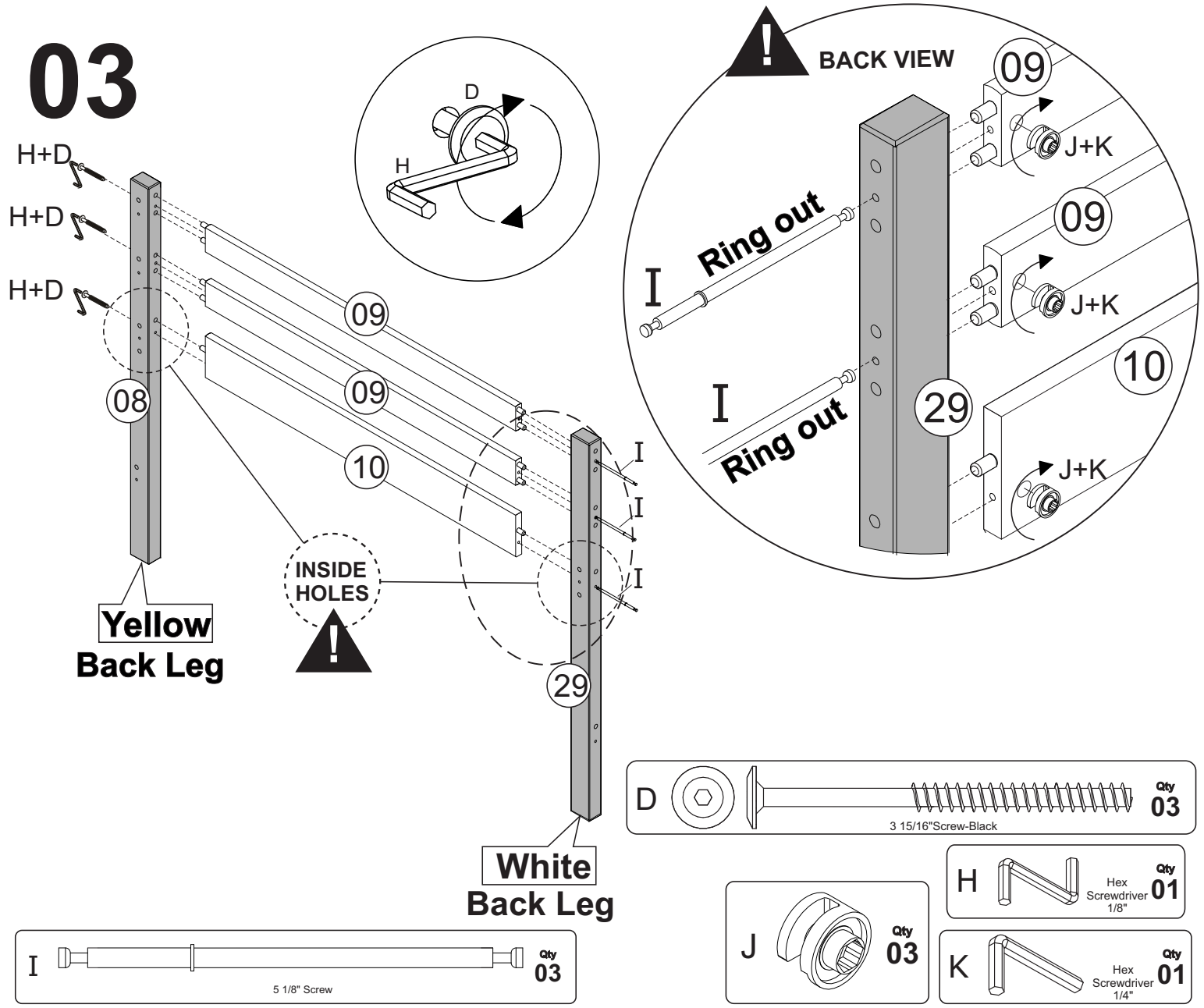
# 01



# 02

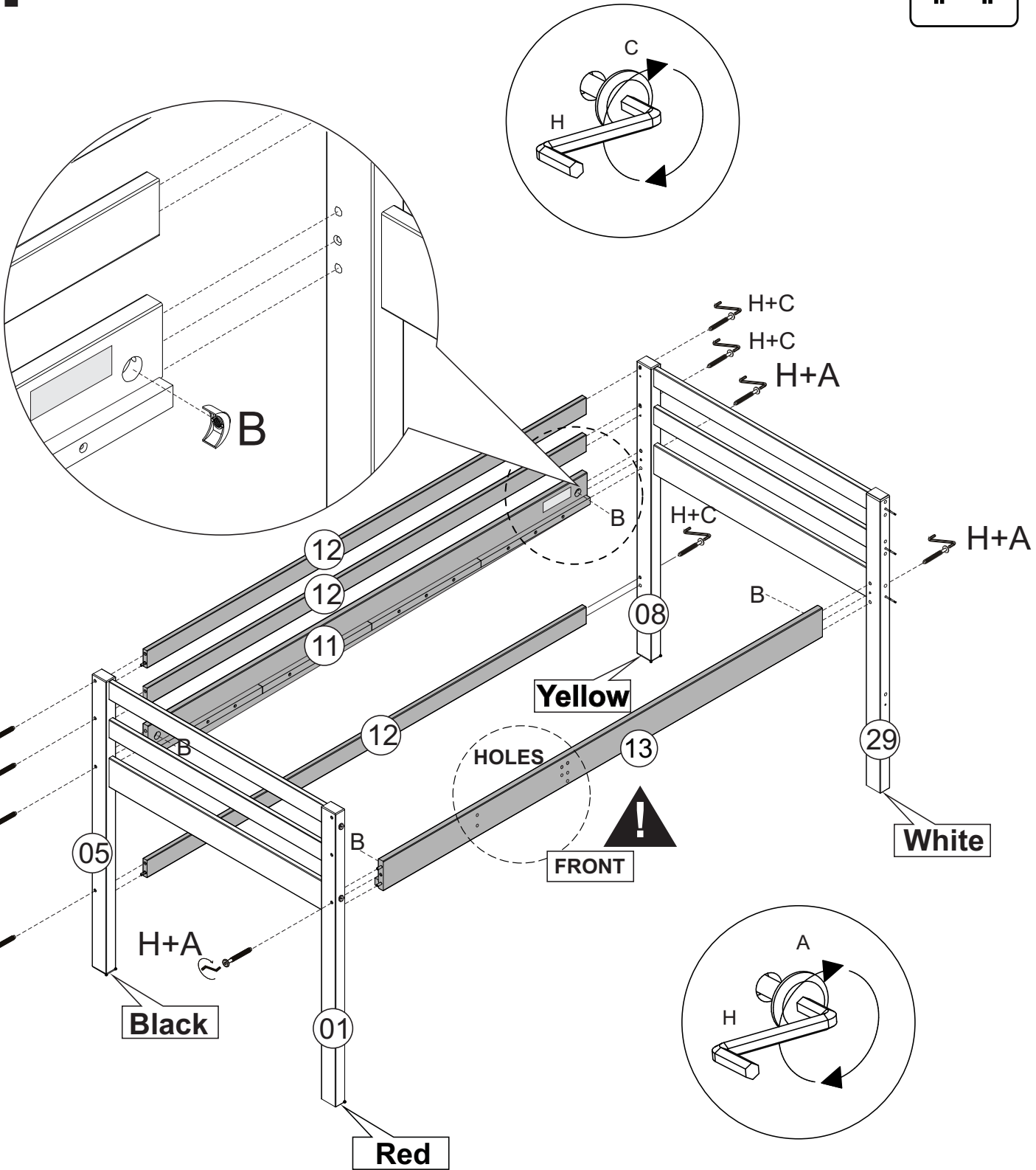
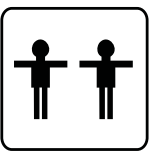


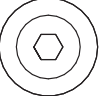
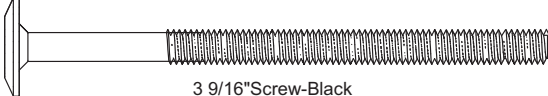
# 03

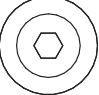
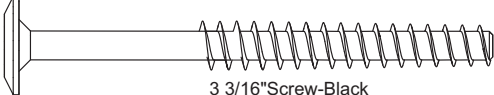


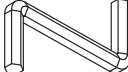
# 04

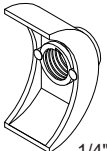
## LEFT BED



**A**   **Qty 04**  
3 9/16" Screw-Black

**C**   **Qty 06**  
3 3/16" Screw-Black

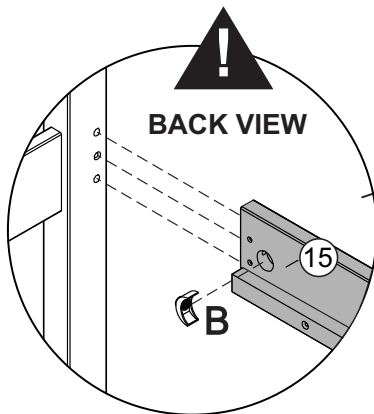
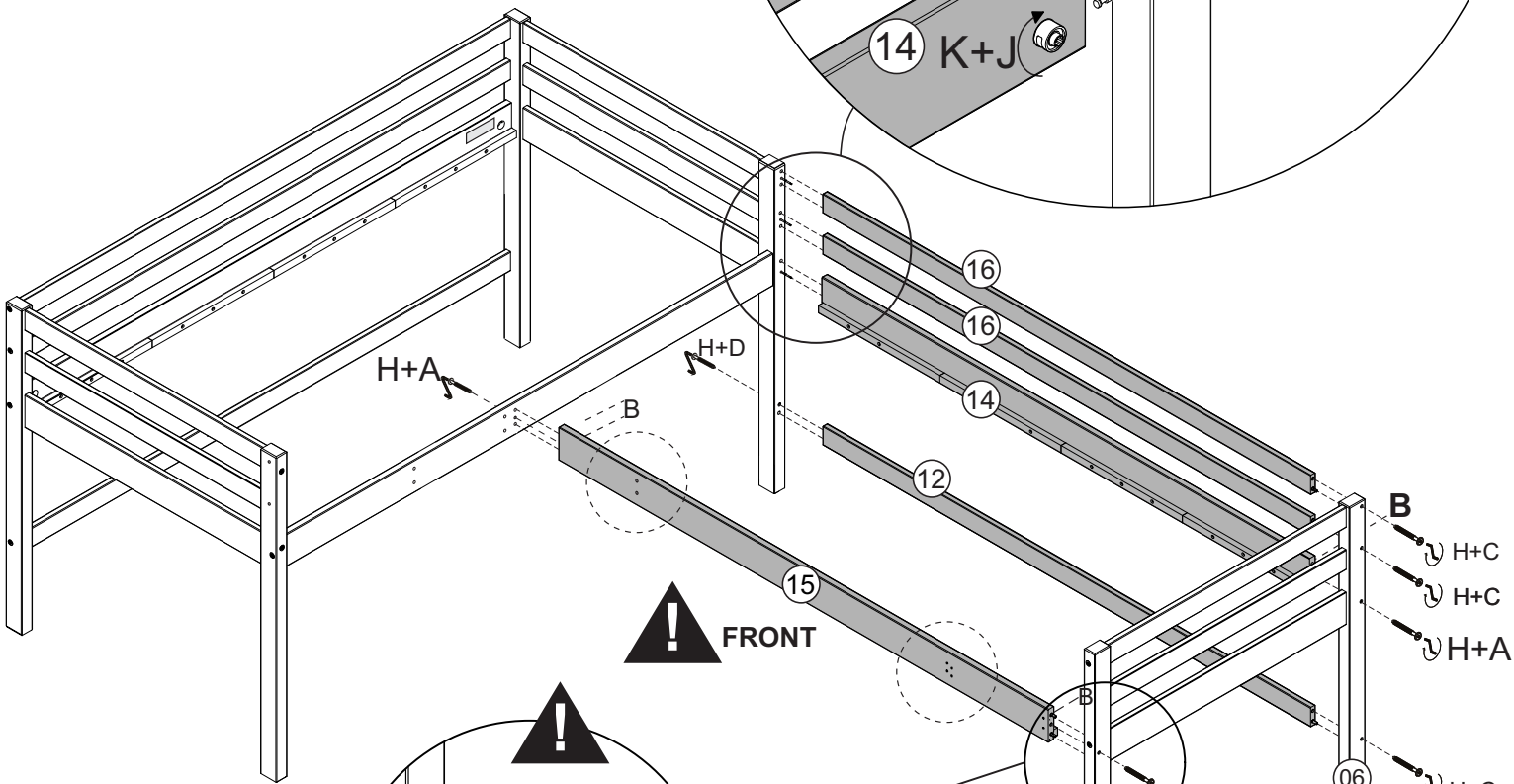
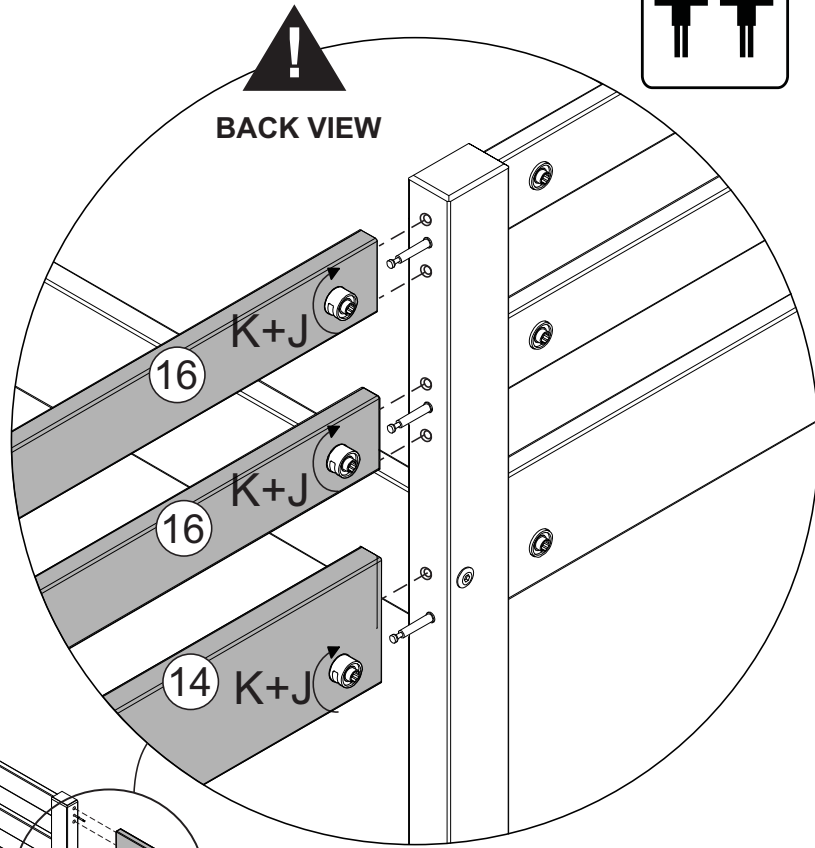
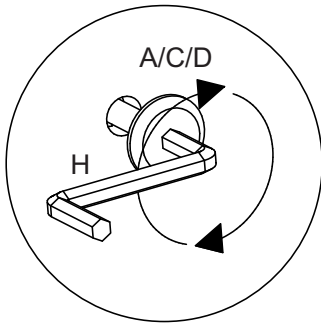
**H**  **Qty 01**  
Hex Screwdriver 1/8"

**B**  **Qty 04**  
1/4" Half Moon



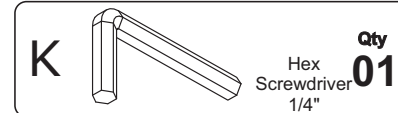
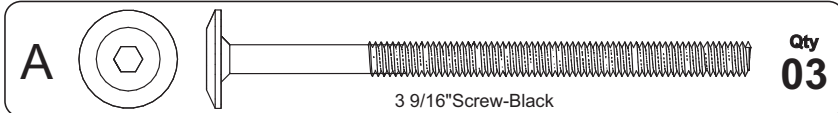
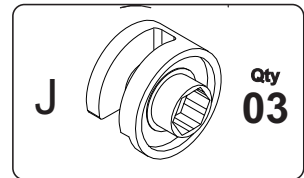
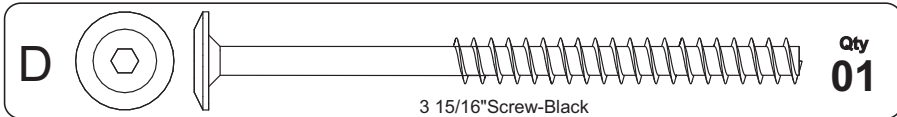
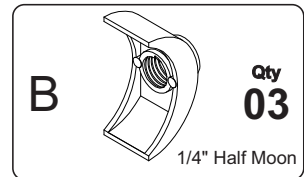
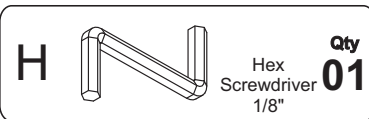
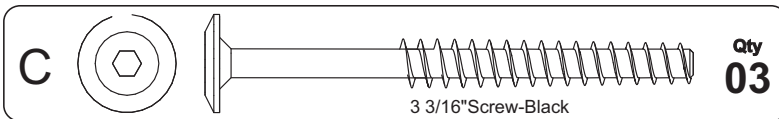
# 05

## RIGHT BED

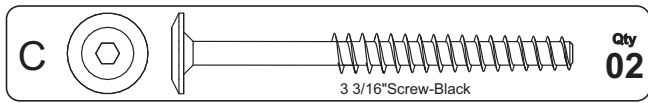
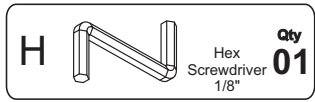
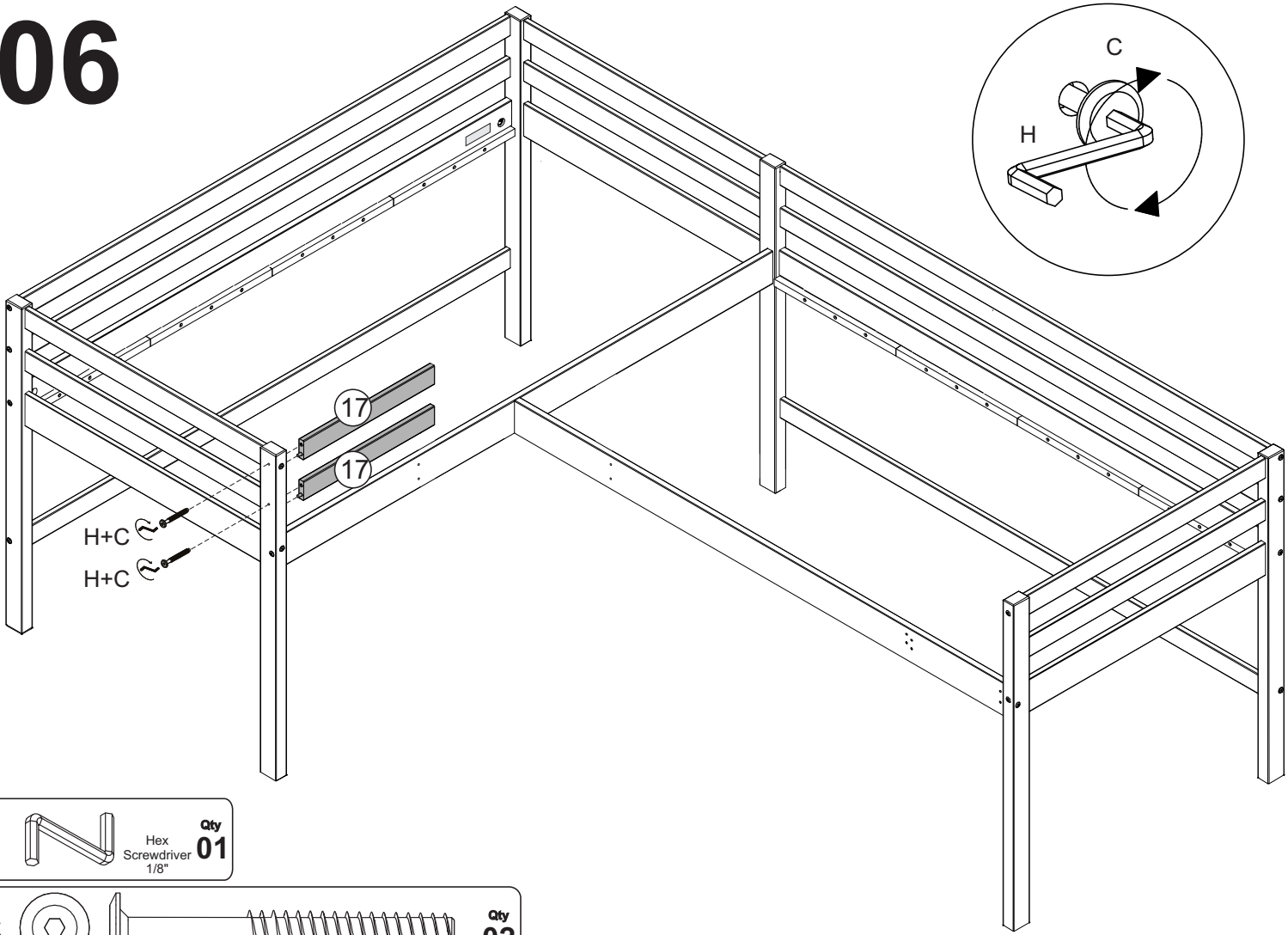


Blue

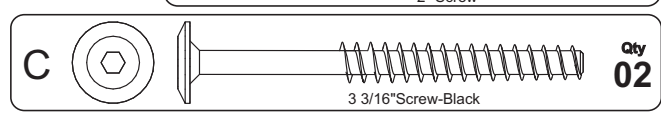
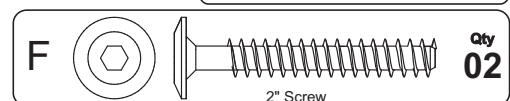
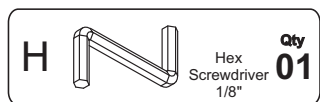
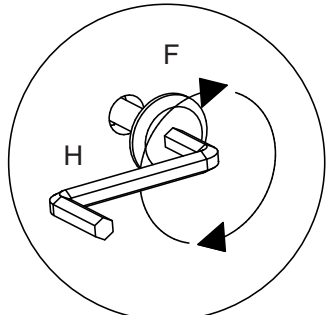
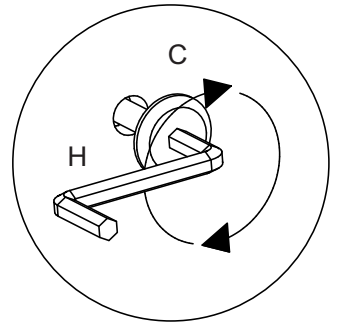
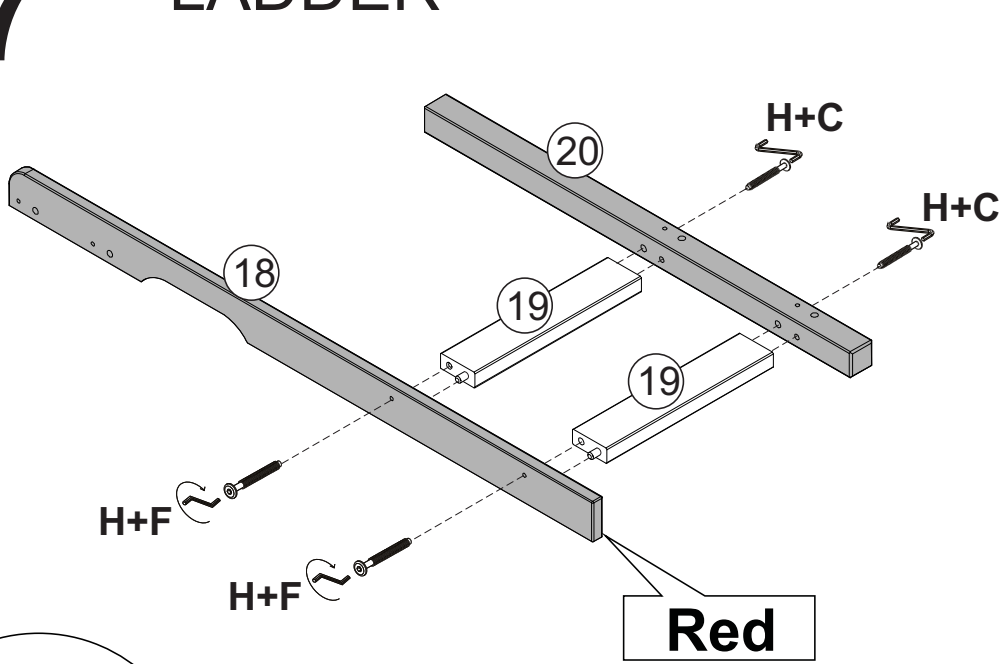
Green



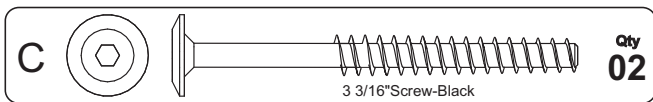
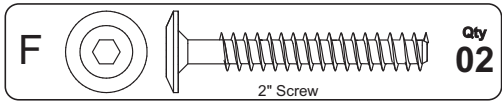
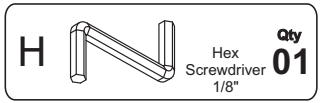
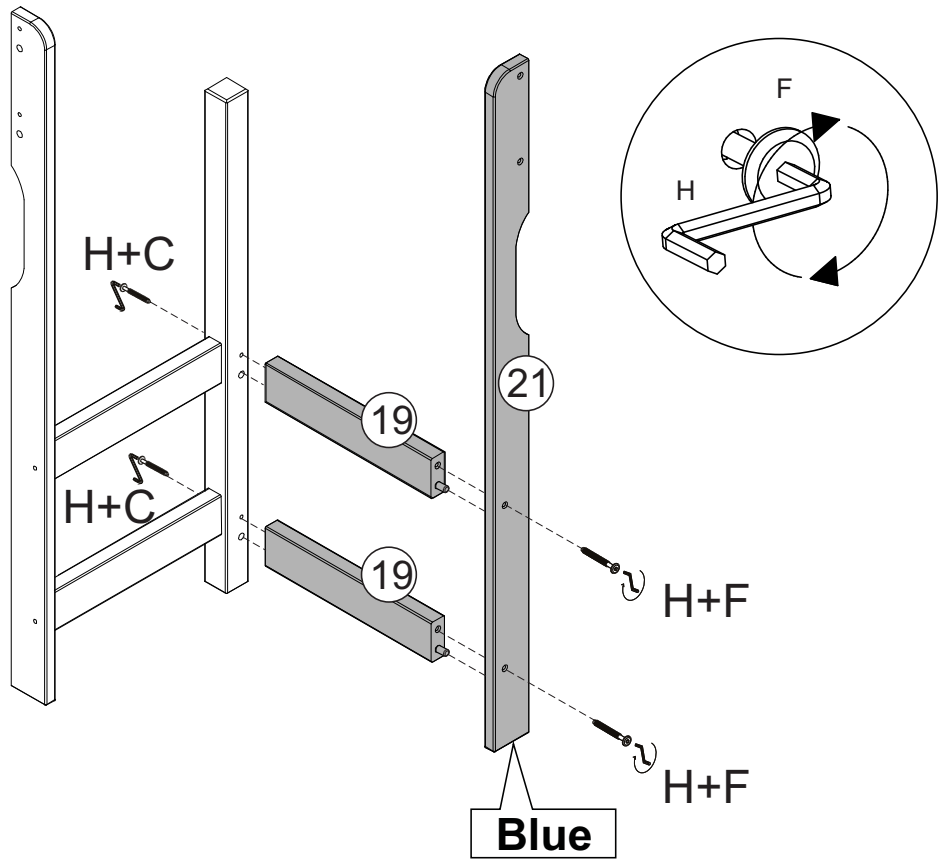
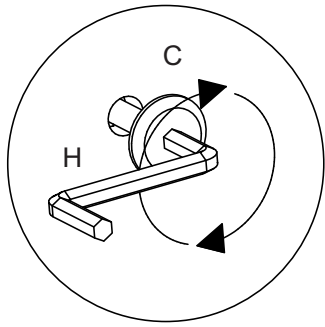
# 06



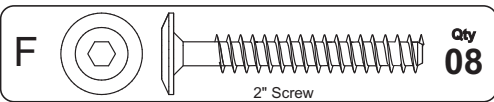
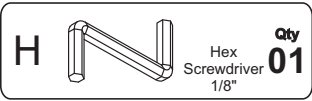
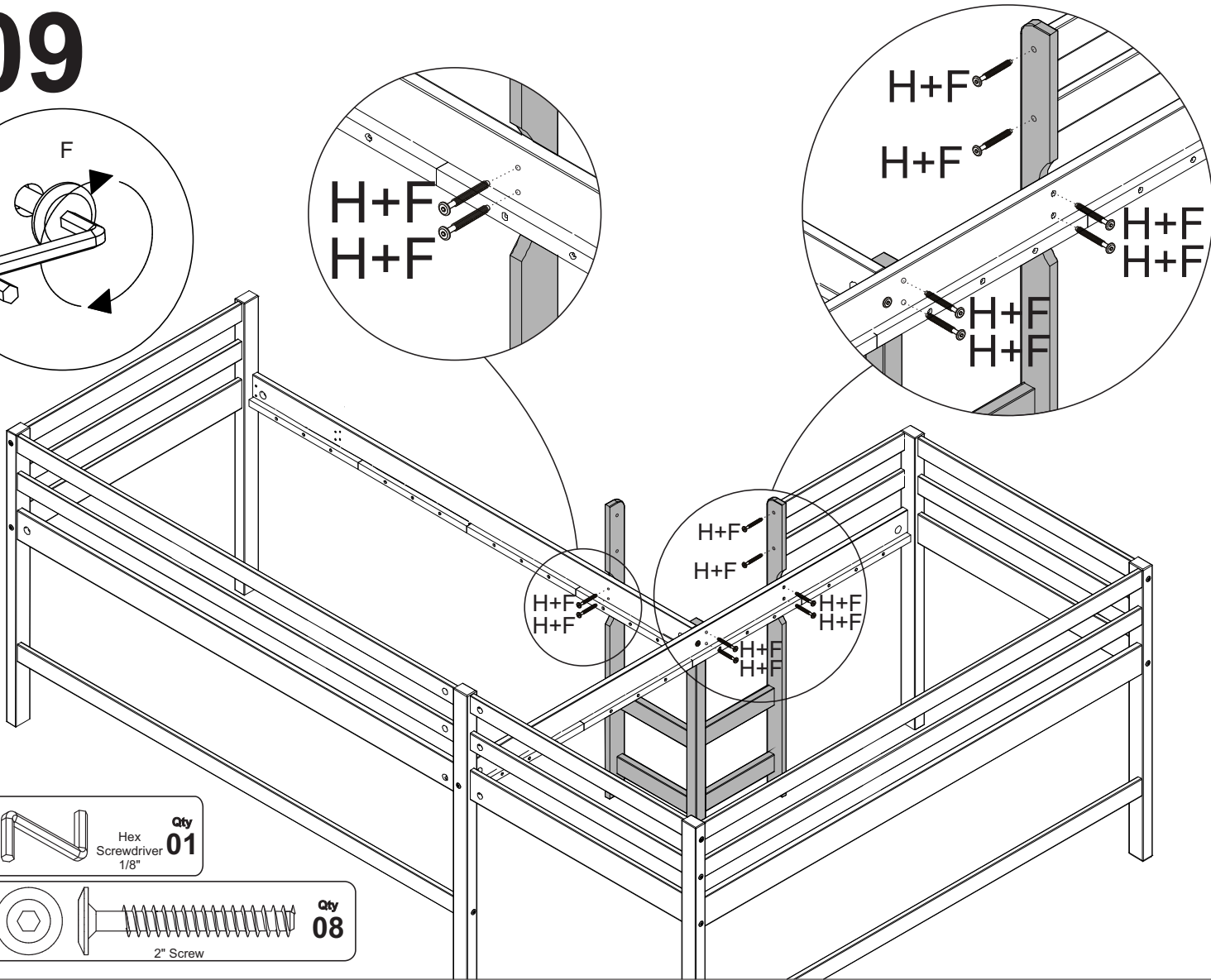
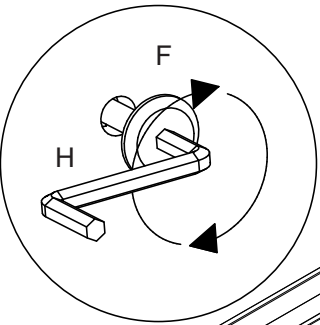
# 07 LADDER



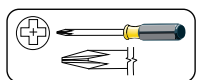
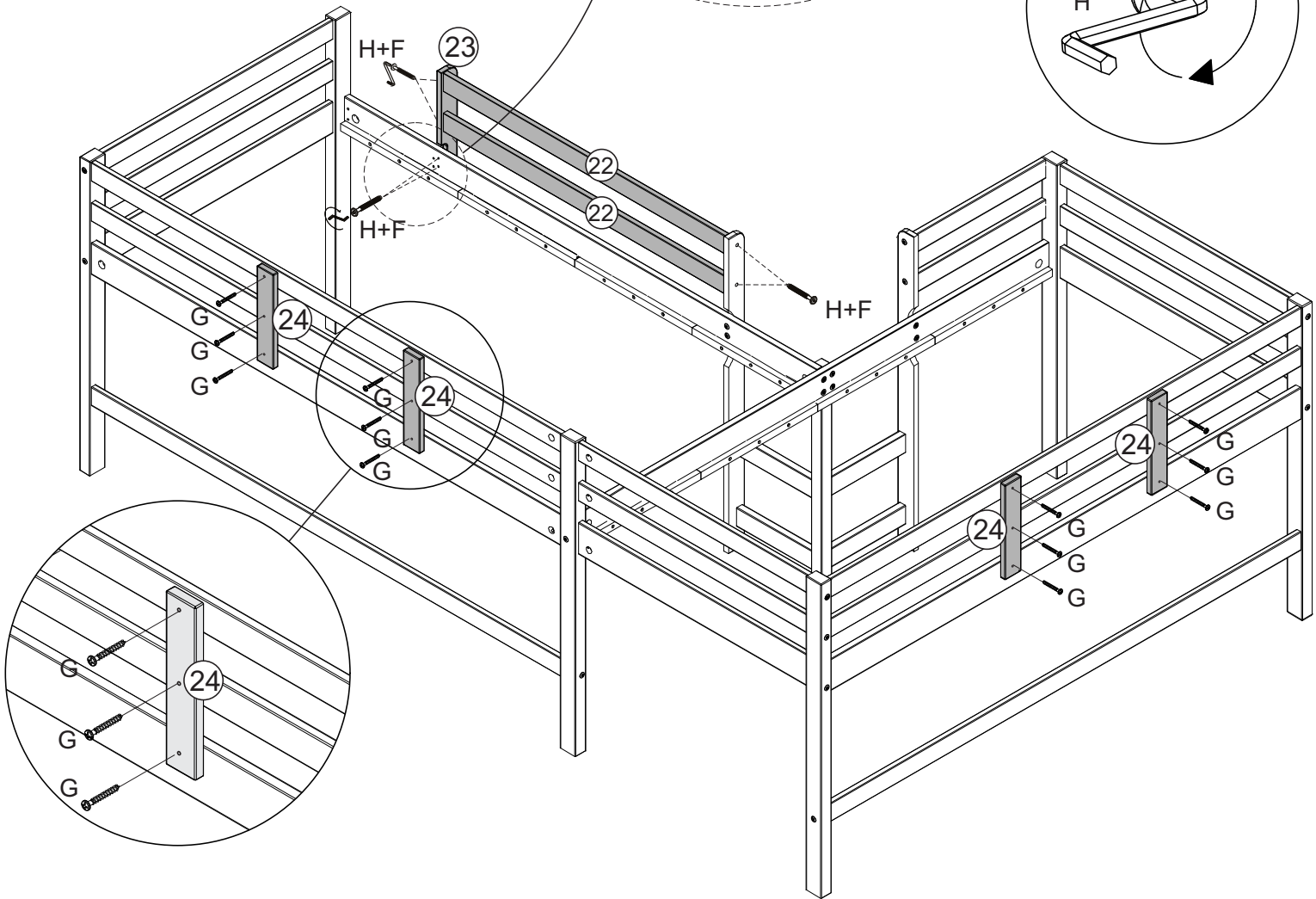
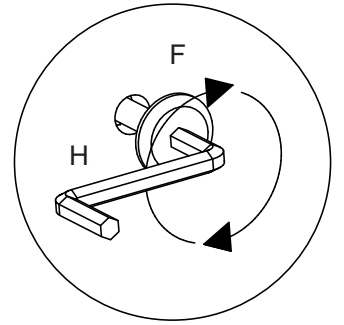
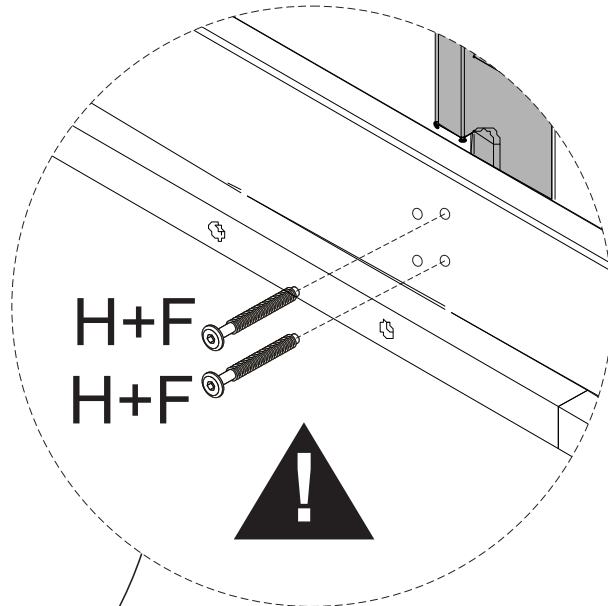
# 08



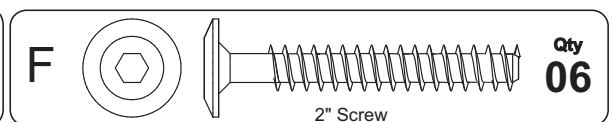
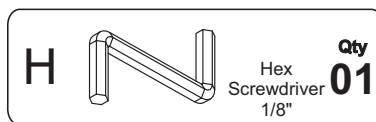
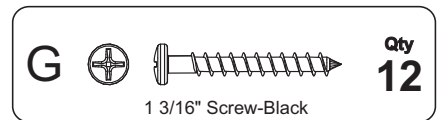
# 09



# 10

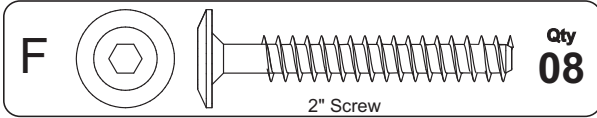
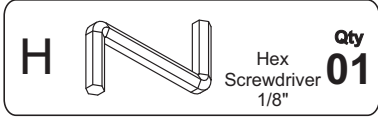
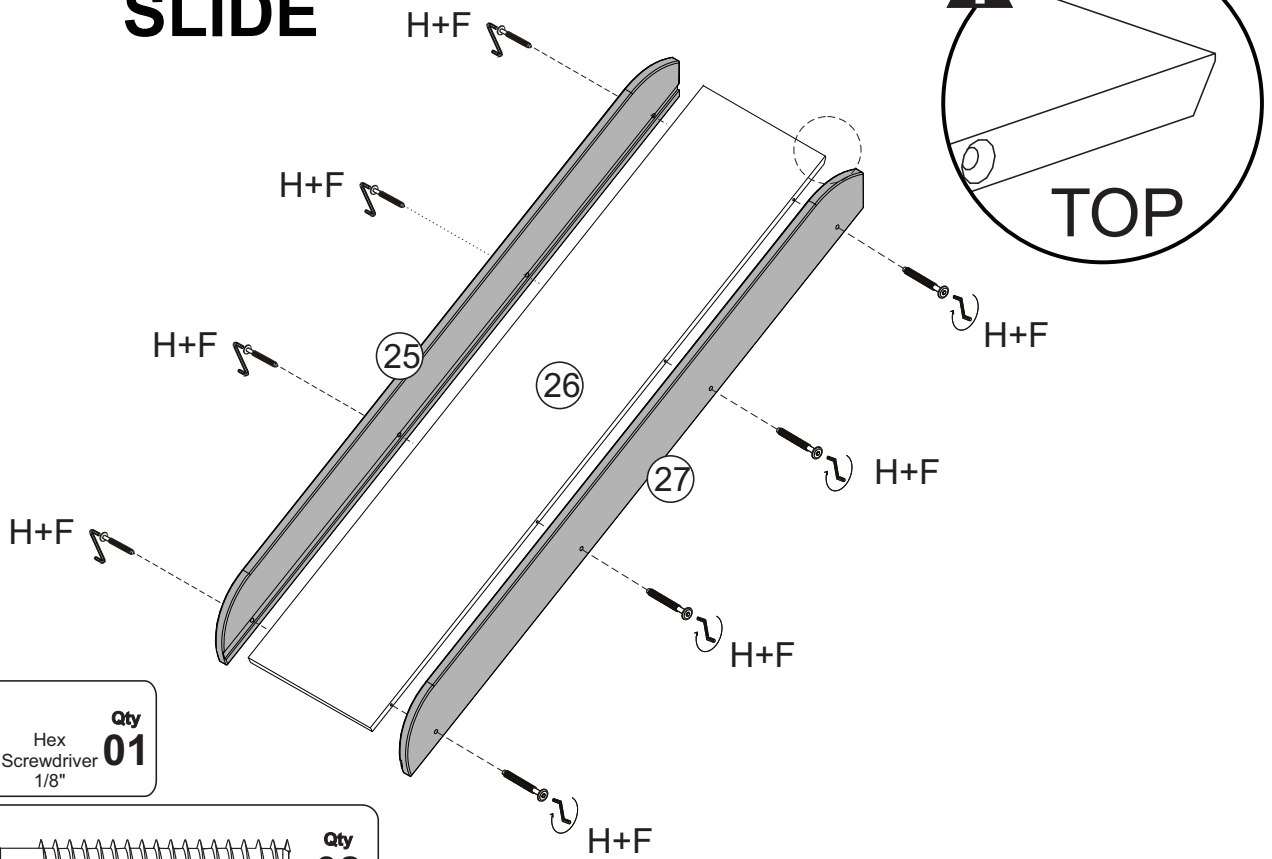


(Not included)

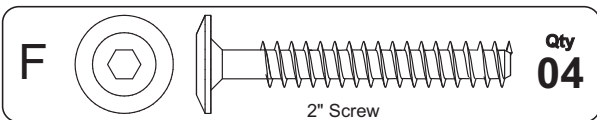
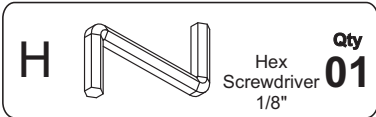
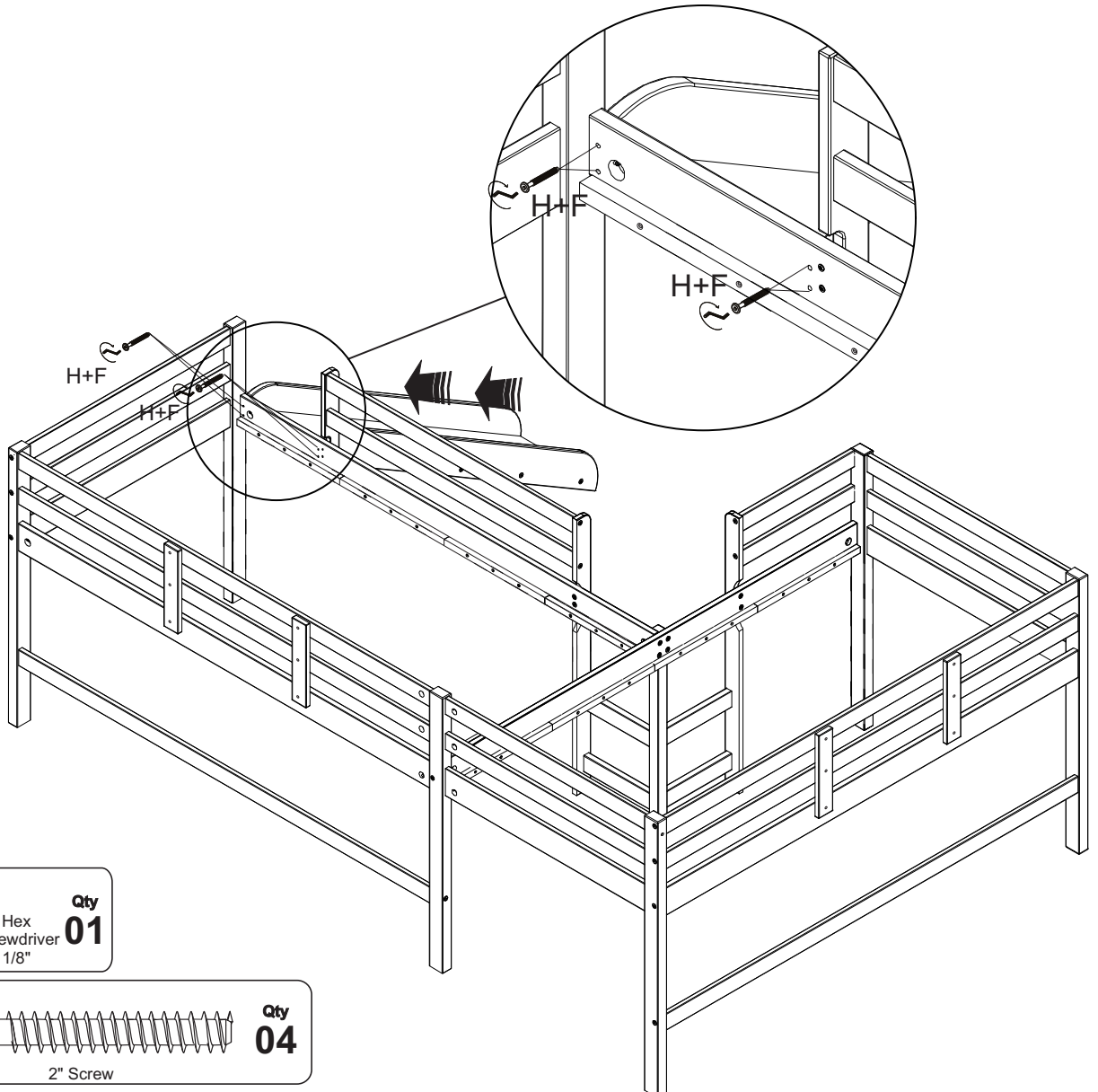


# 11

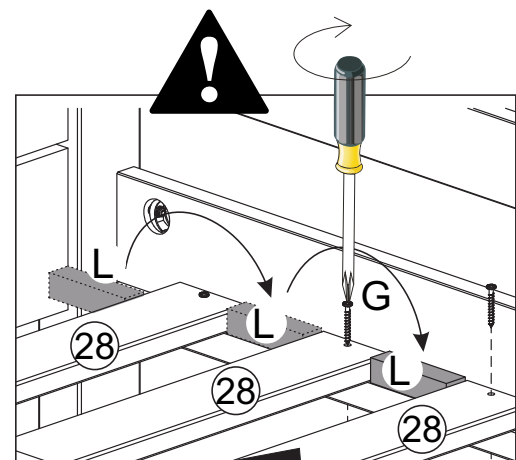
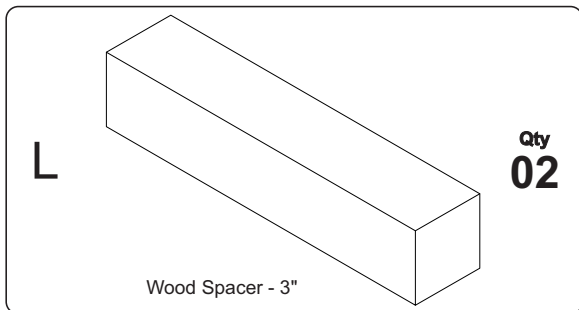
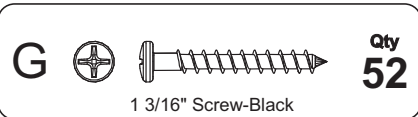
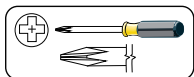
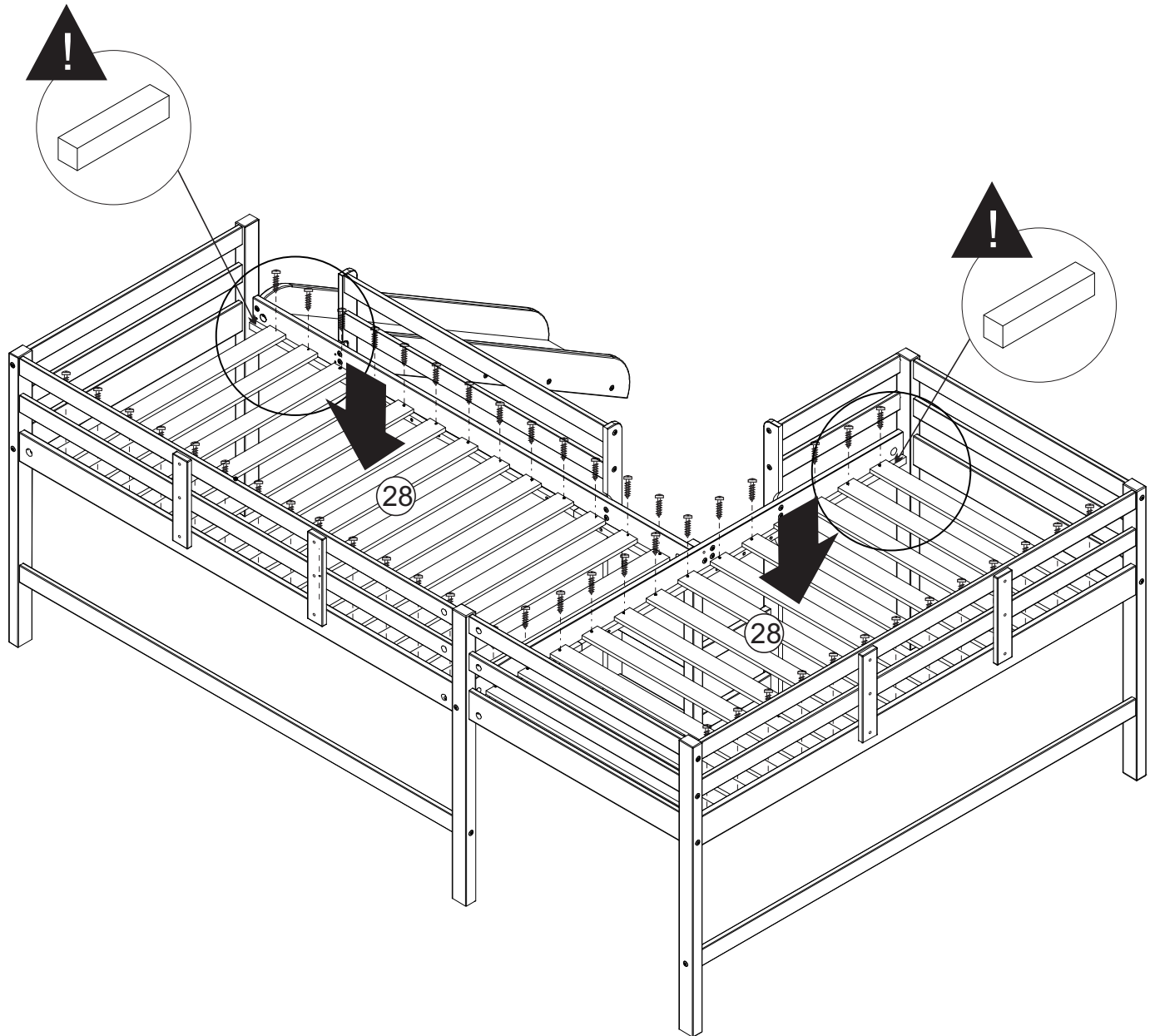
## SLIDE




# 12

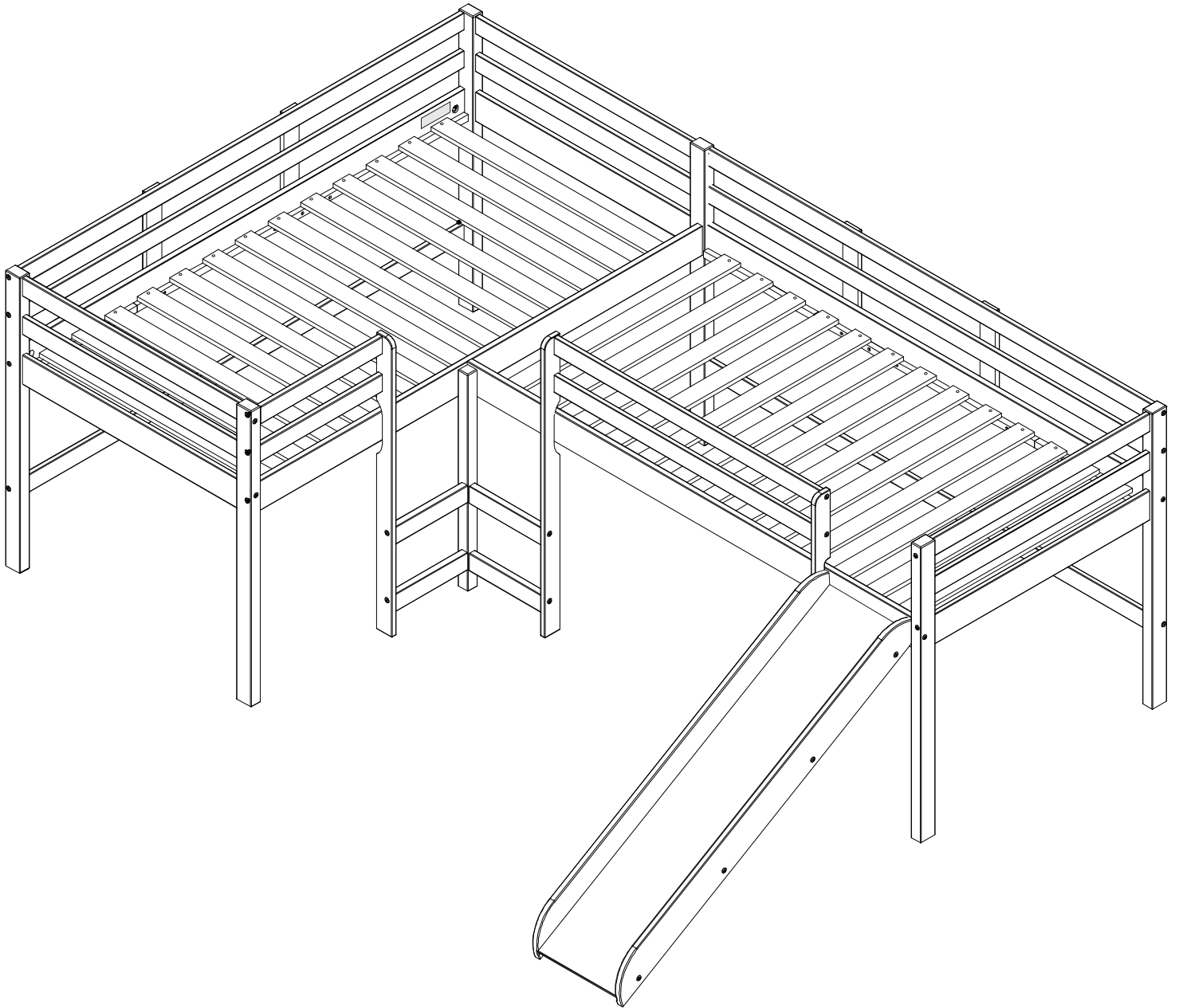


# 13

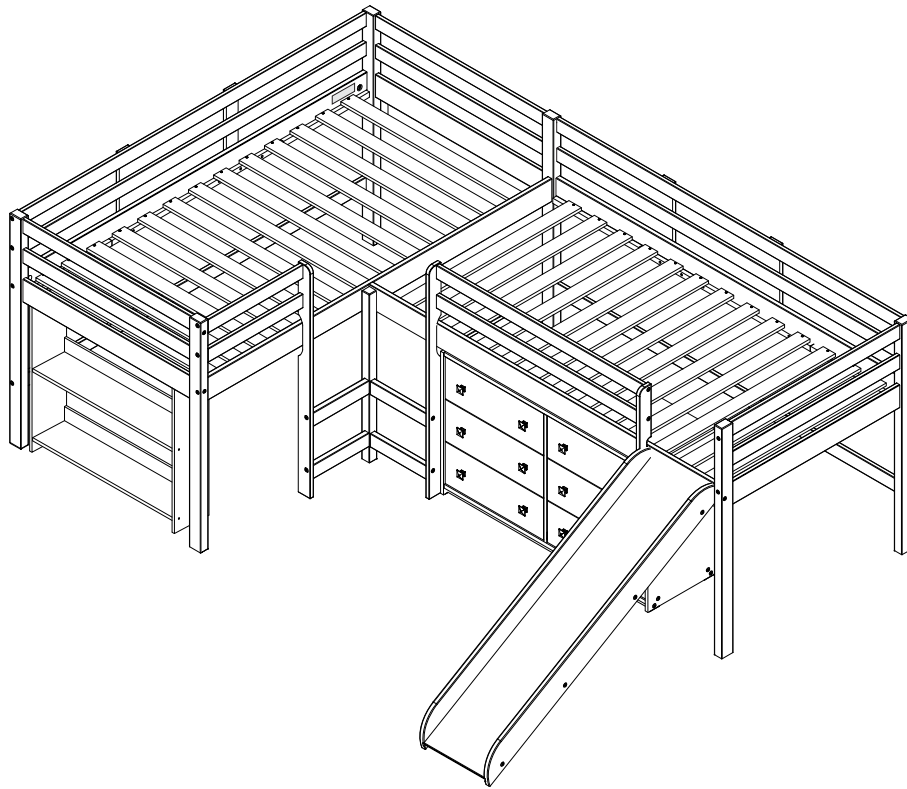


 **Before fixed the first slat use the hardware letter (L) to help define the space between each next slats. Use 1 (L) on the left side rail and 1 (L) on the right side rail.**

# OPTION THE BED ONLY



# OPTION THE BED WITH BOOKCASE AND DRAWERS DRESSER



# OPTION THE BED WITH FABRIC

