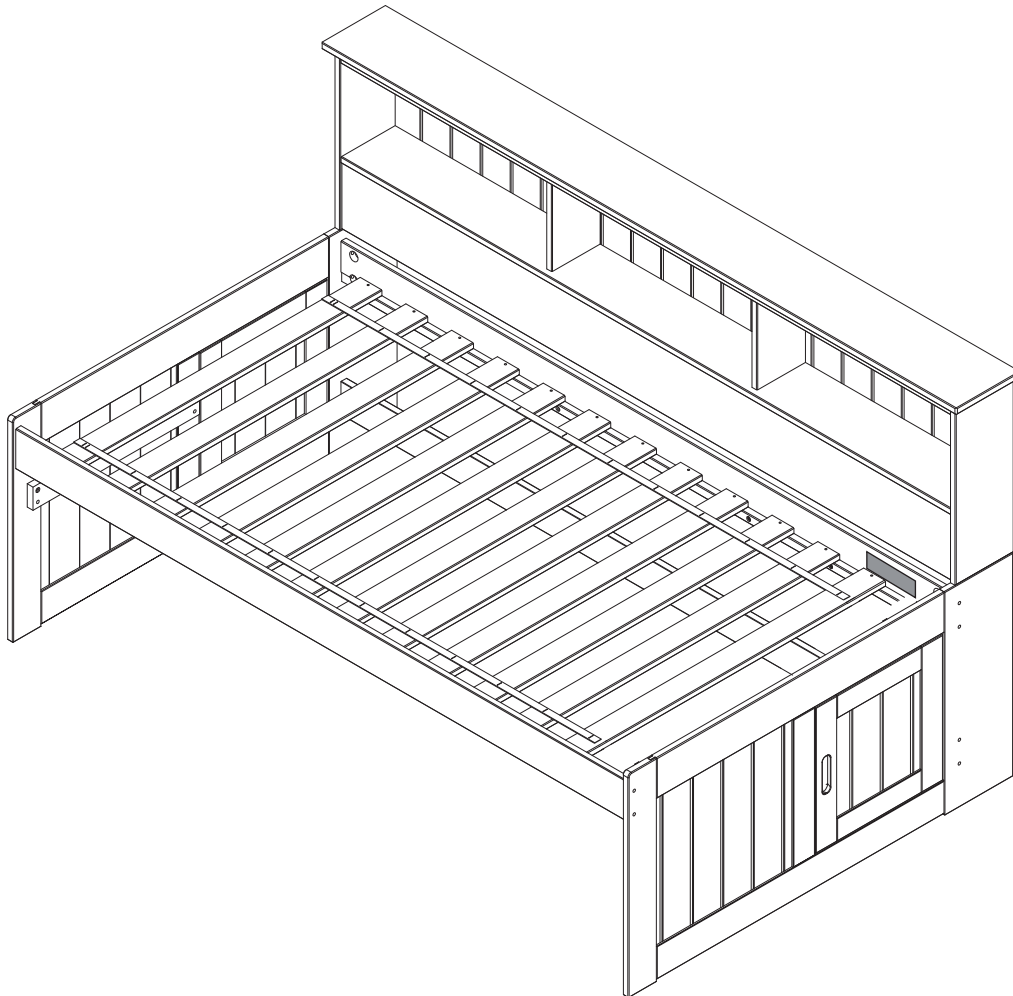


Fort Worth, Texas 76140

ASSEMBLY INSTRUCTIONS

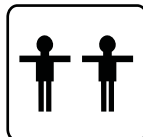
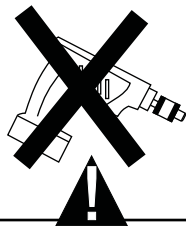
1222 - TWIN DAY BED BOOKCASE BED



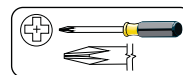
Thank you for purchasing this quality product. Be sure to check all packing material carefully for small parts which may have come loose inside the carton during shipment. Separate, identify and count all parts and hardware.

Compare with the parts list to be sure all parts are present.

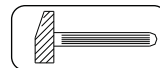
"DO NOT TIGHTEN SCREWS UNTIL COMPLETELY ASSEMBLED"



Tools Required



(Not included)



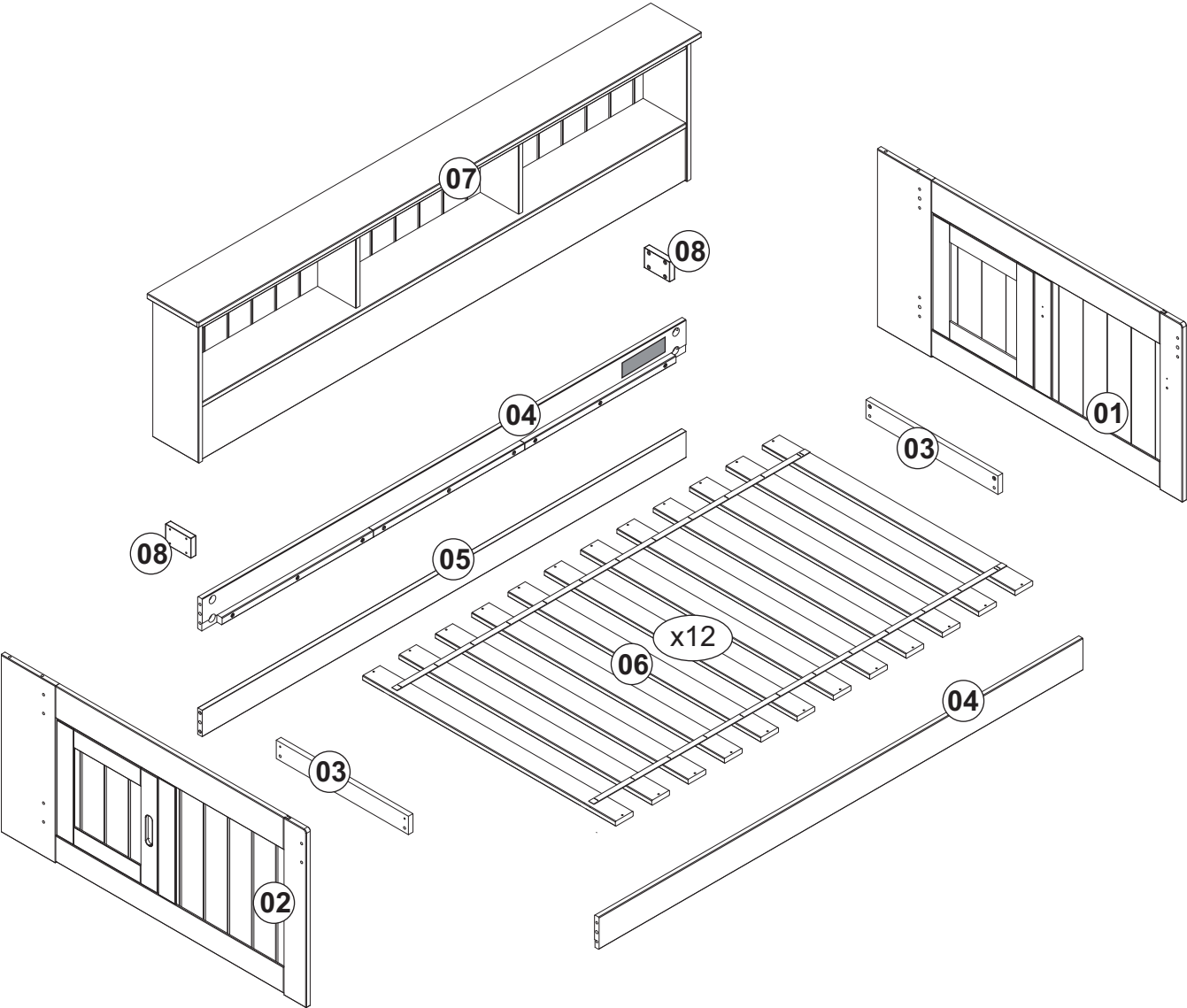
(Not included)

* Use of power tool to assemble this product will invalidate any claim and damage this product making unsafe !!!
* Please assemble on a clean soft surface to avoid damage.

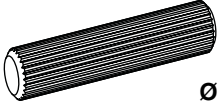

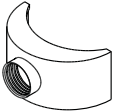


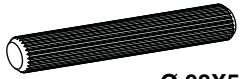
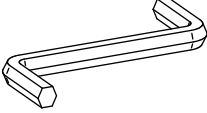
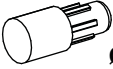
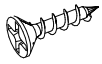
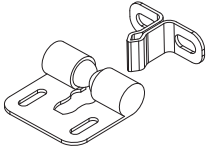
IMPORTANT:

PLEASE READ INSTRUCTION BEFORE STARTING THE ASSEMBLY

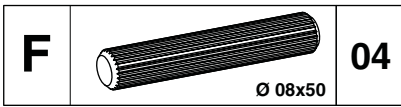
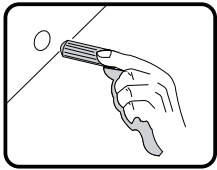
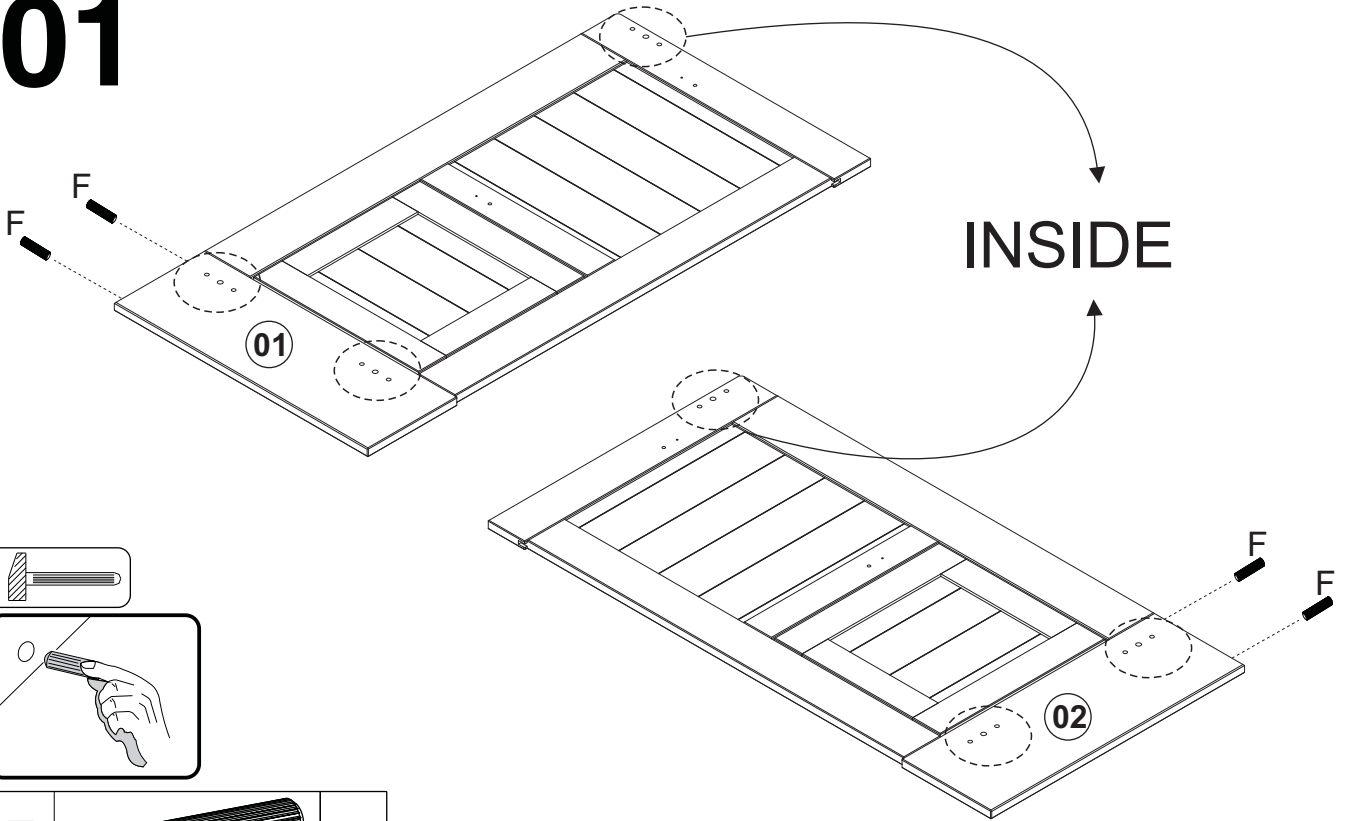
Part List- 1222 - TWIN DAY BED BOOKCASE BED



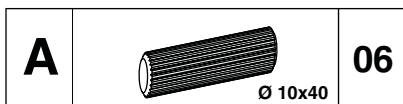
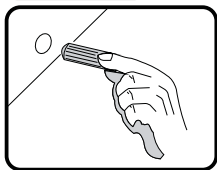
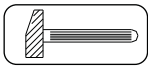
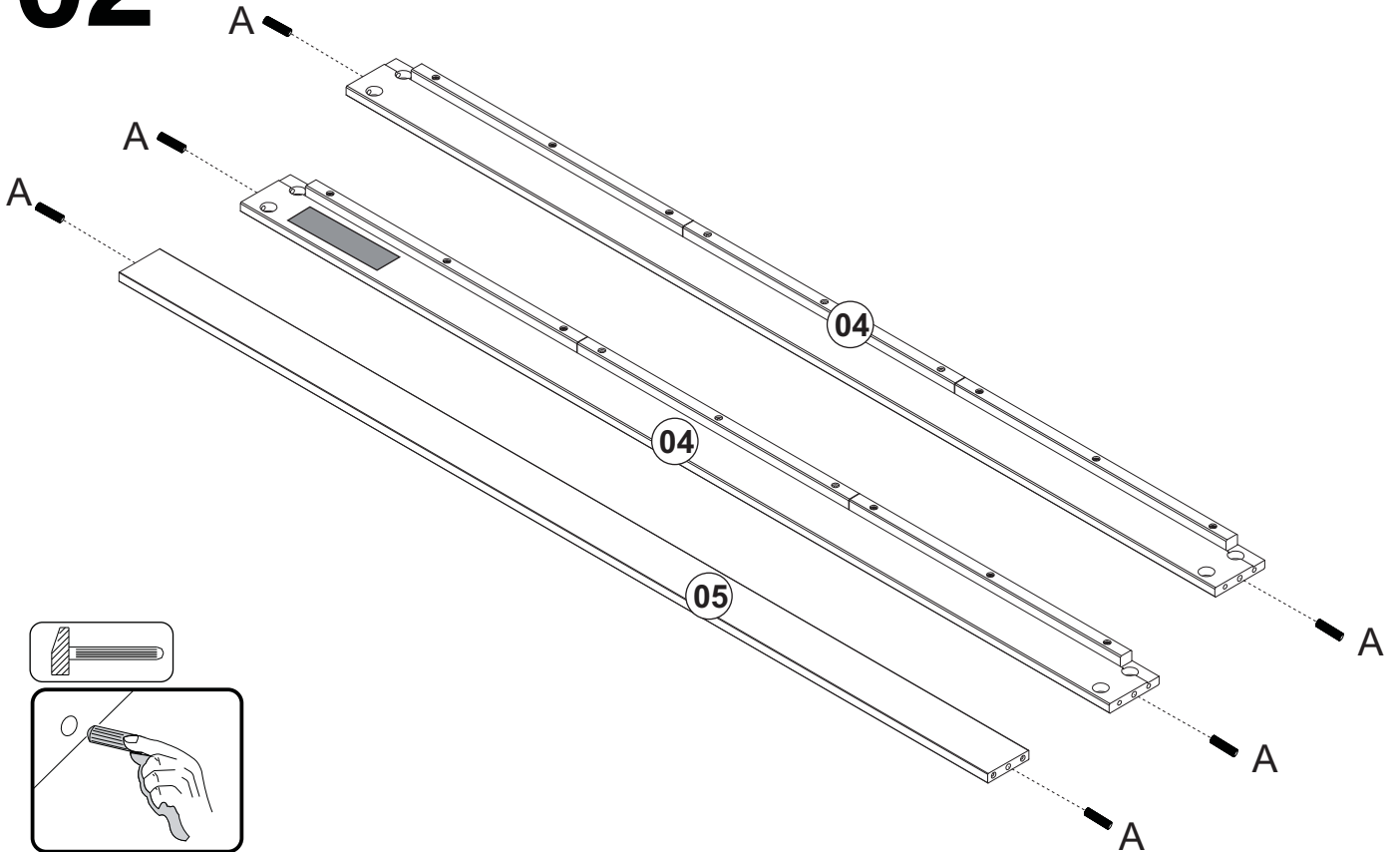
Identifying the Hardware-Identify the hardware using the illustrations below.

A	 <p>Ø 10x40</p>	06
B	 <p>Ø 1/4X60 Cab 17</p>	08
C		08
D	 <p>Ø 7X60 Cab 17</p>	04
E	 <p>Ø 3,5X30</p>	32
F	 <p>Ø 08X50</p>	04
G		01
H	 <p>Ø 06x08</p>	04
I	 <p>Ø 3,0x16</p>	08
J		02

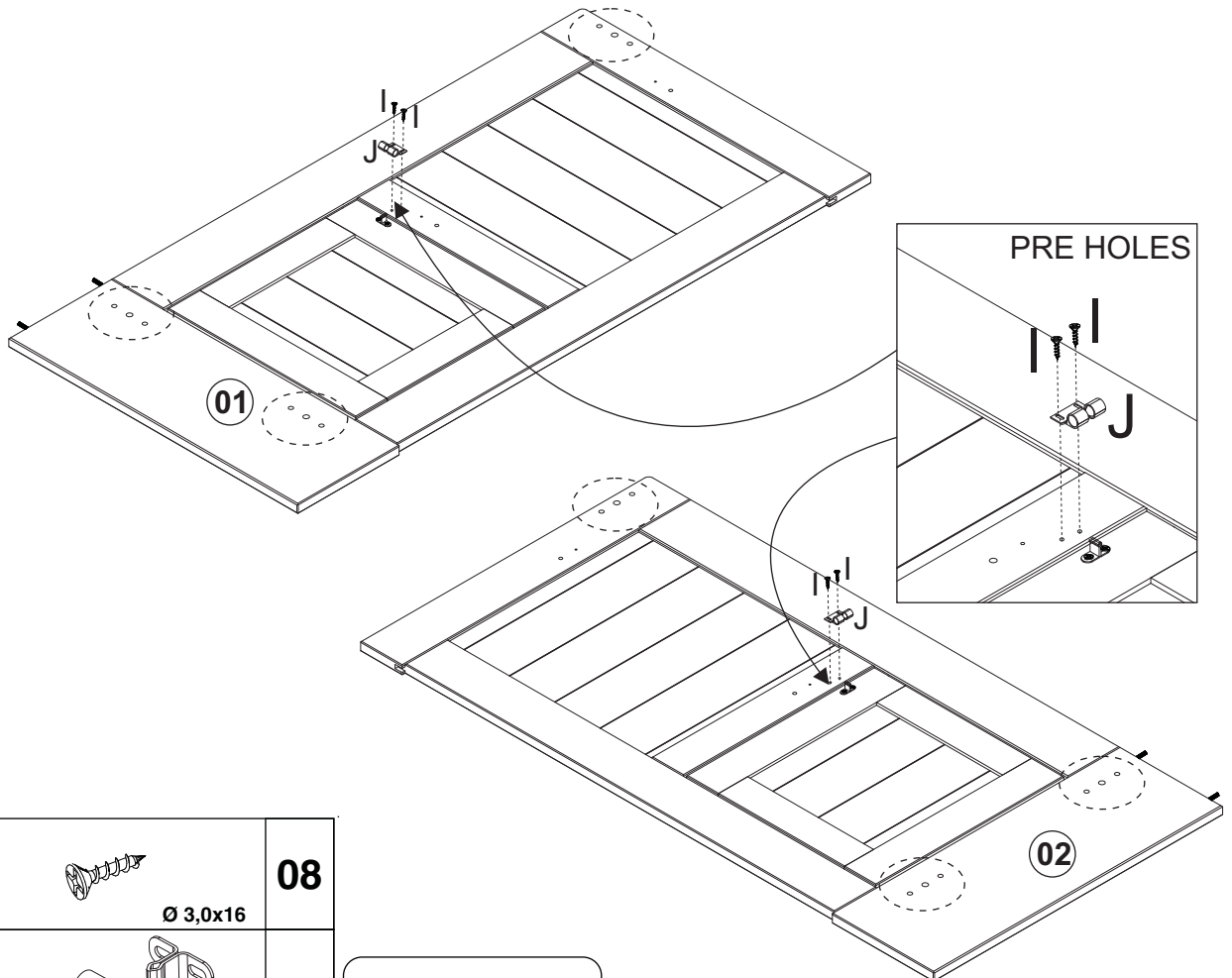
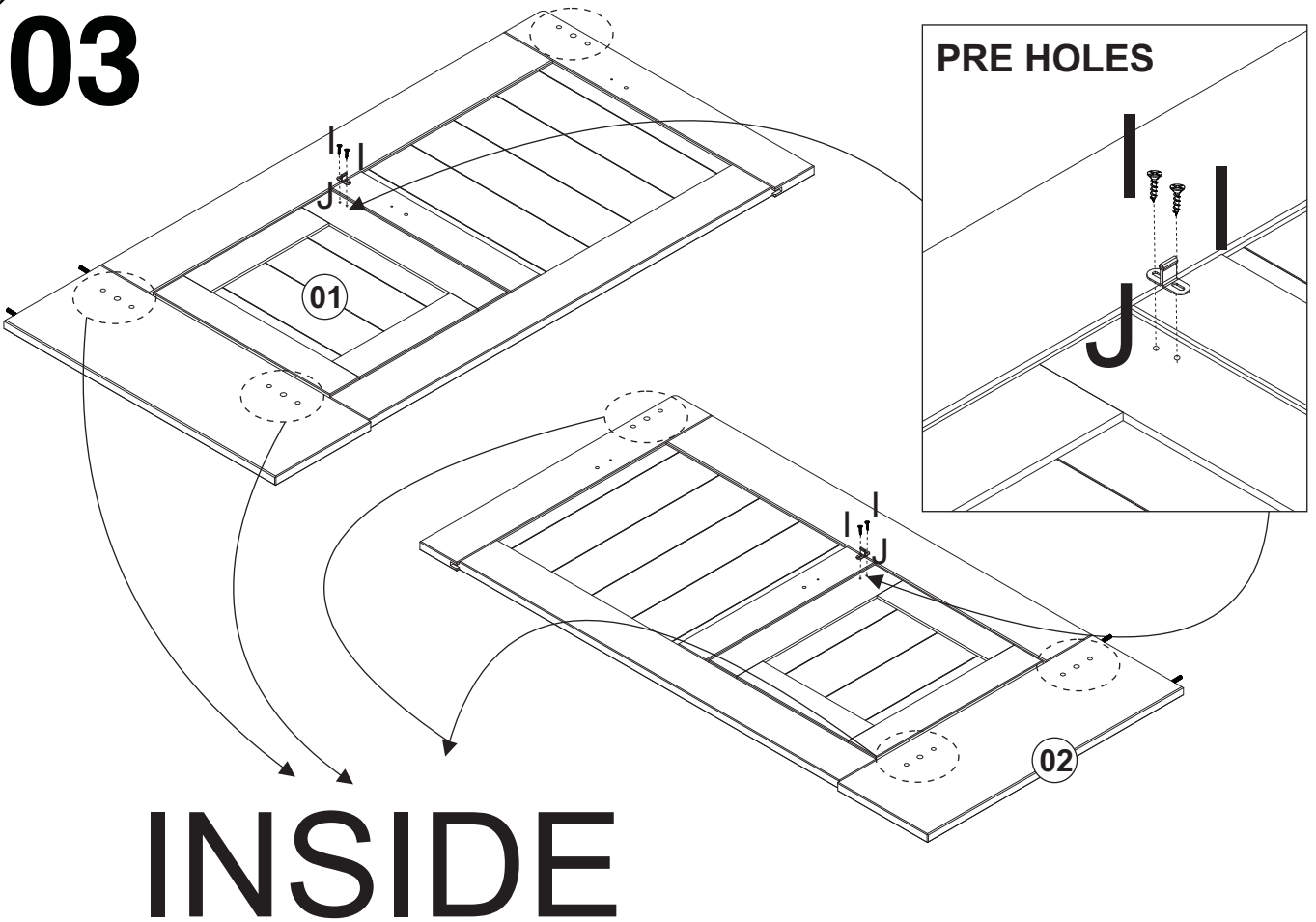
01


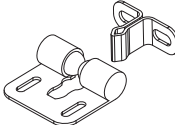


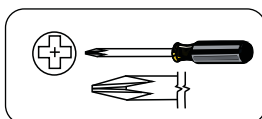
02



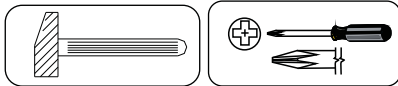
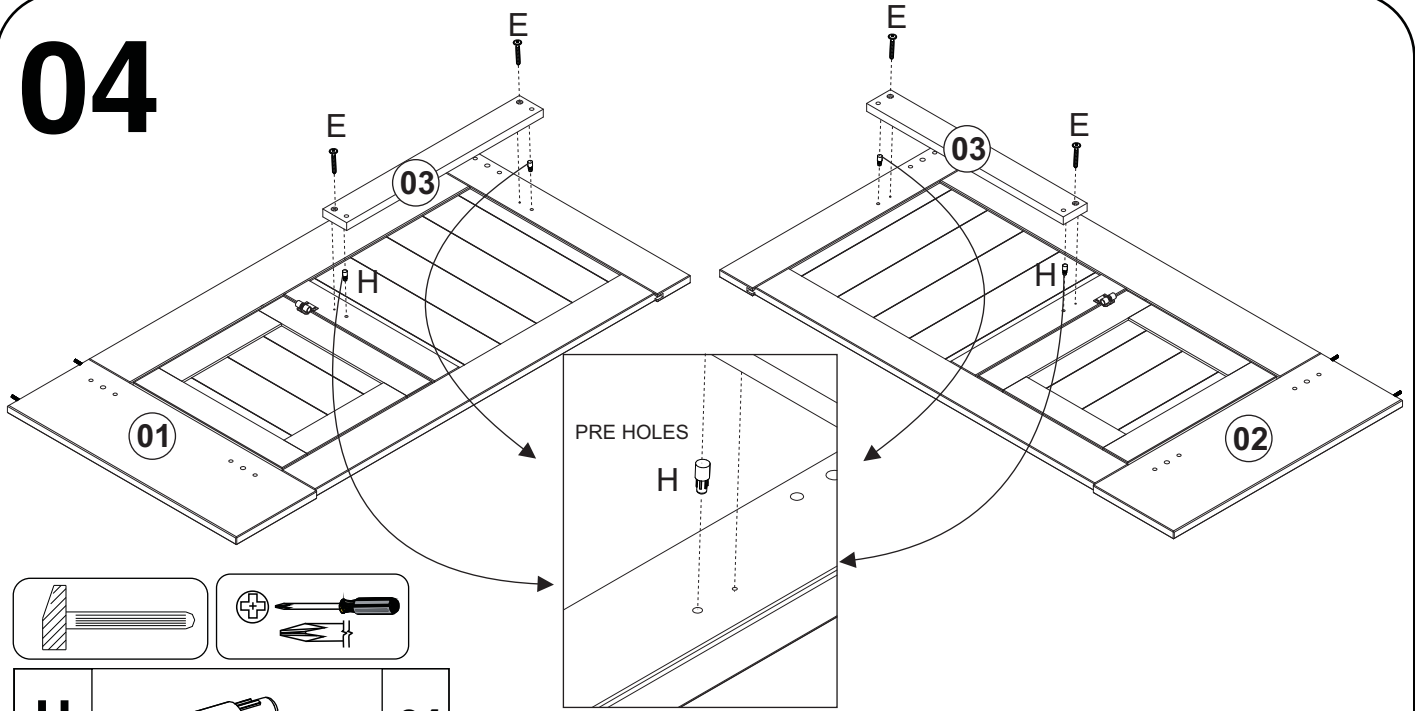
03

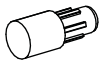



I	 Ø 3,0x16	08
J		02



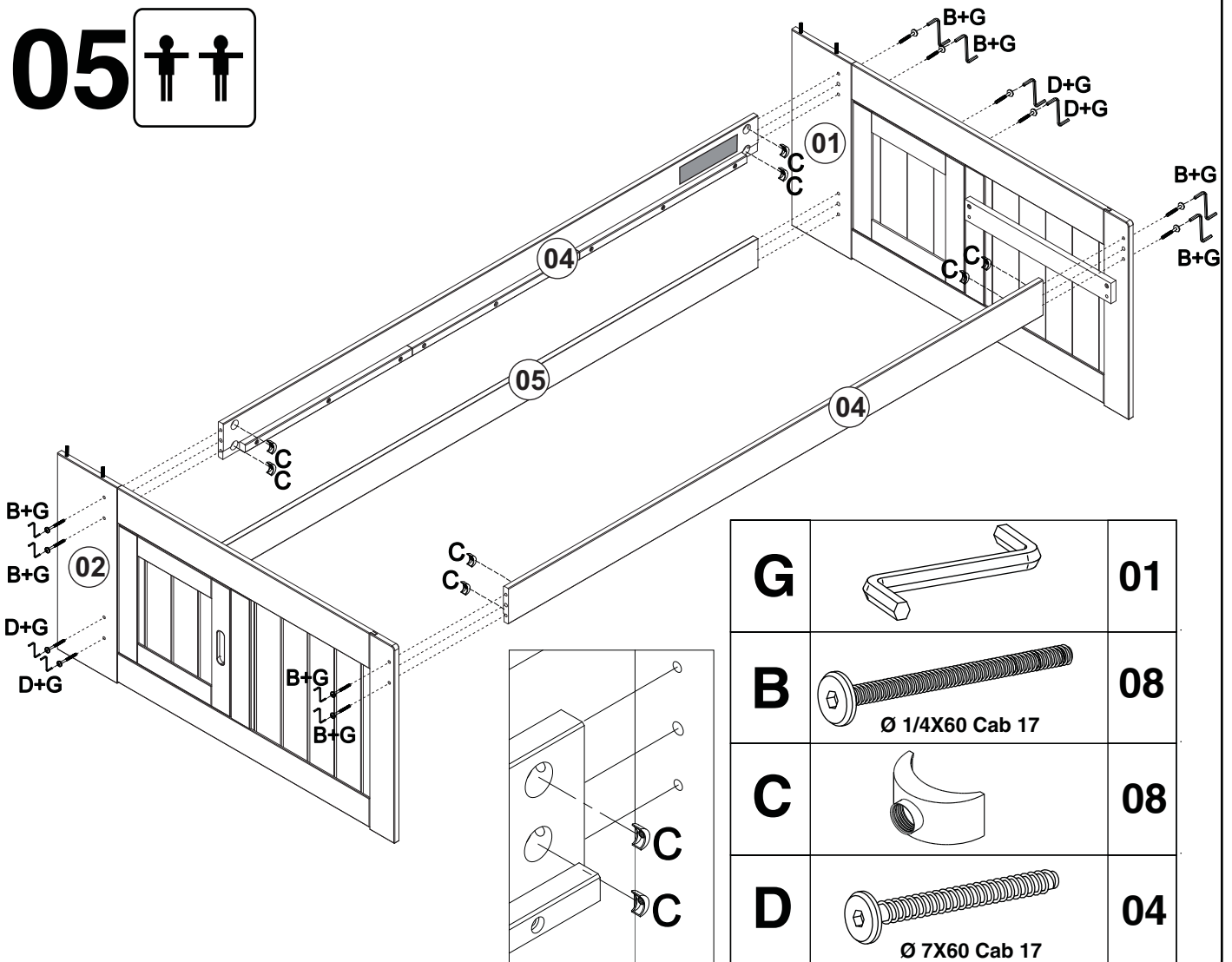
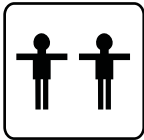
04

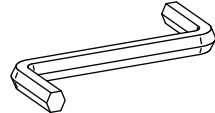

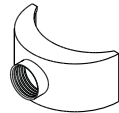



H	 Ø 06x08	04
E	 Ø 3,5X30	04

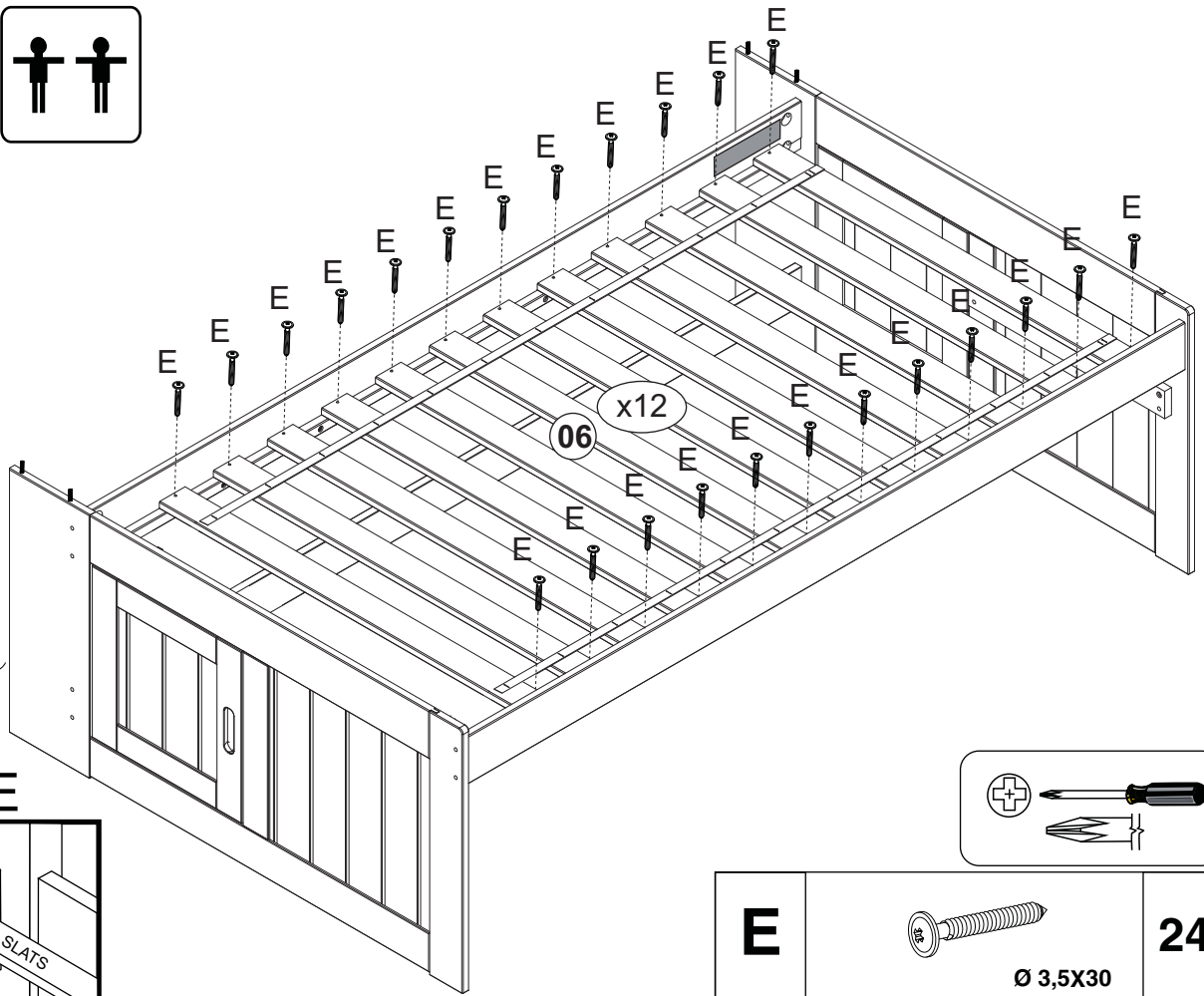
INSIDE

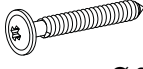
05



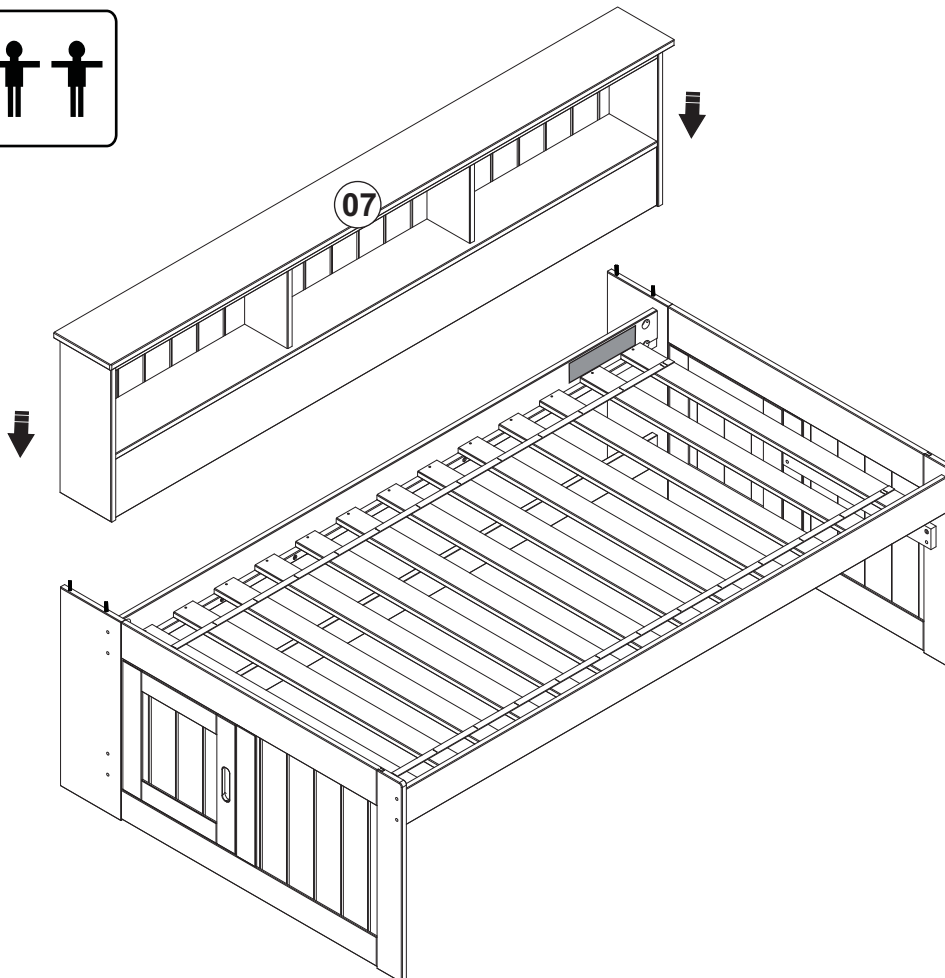
G		01
B	 Ø 1/4X60 Cab 17	08
C		08
D	 Ø 7X60 Cab 17	04

06

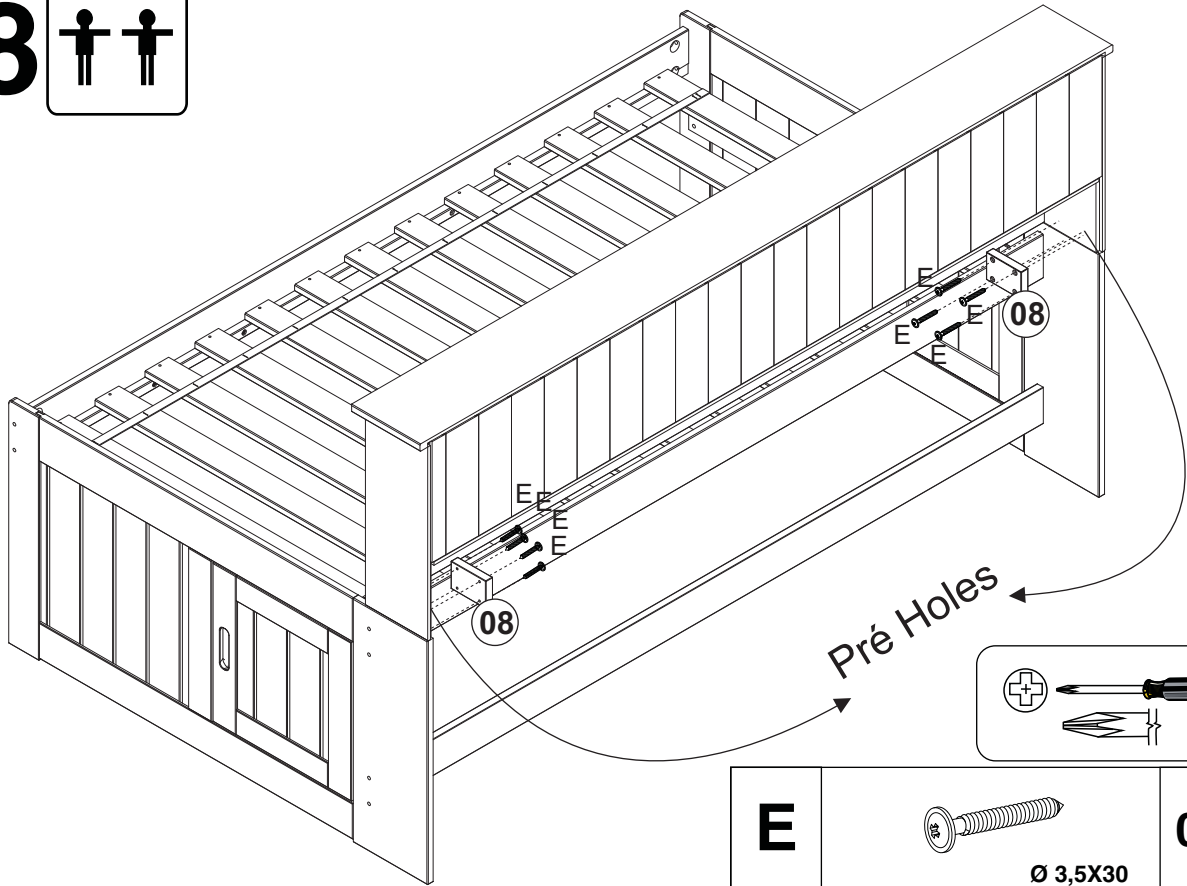


E	 Ø 3,5X30	24
----------	--	-----------

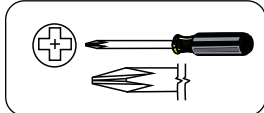
07

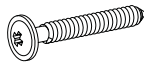


08

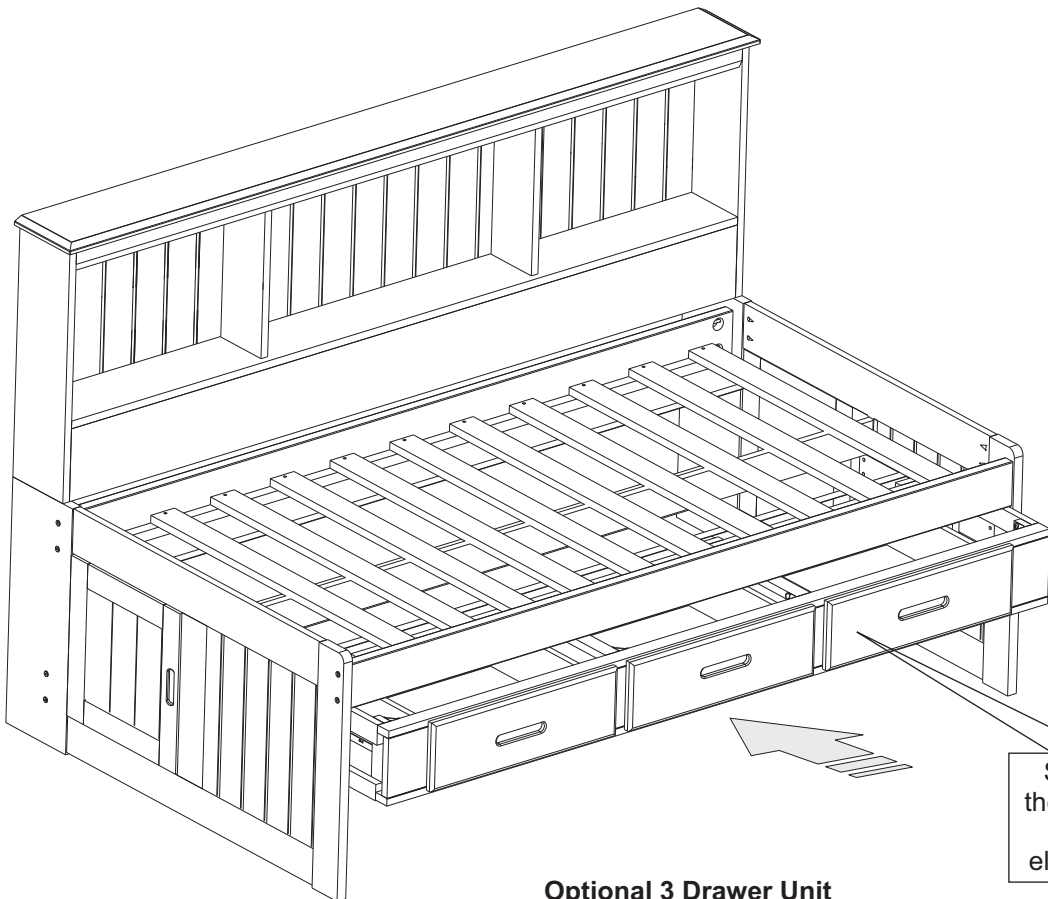


Pré Holes



E		08
Ø 3,5X30		

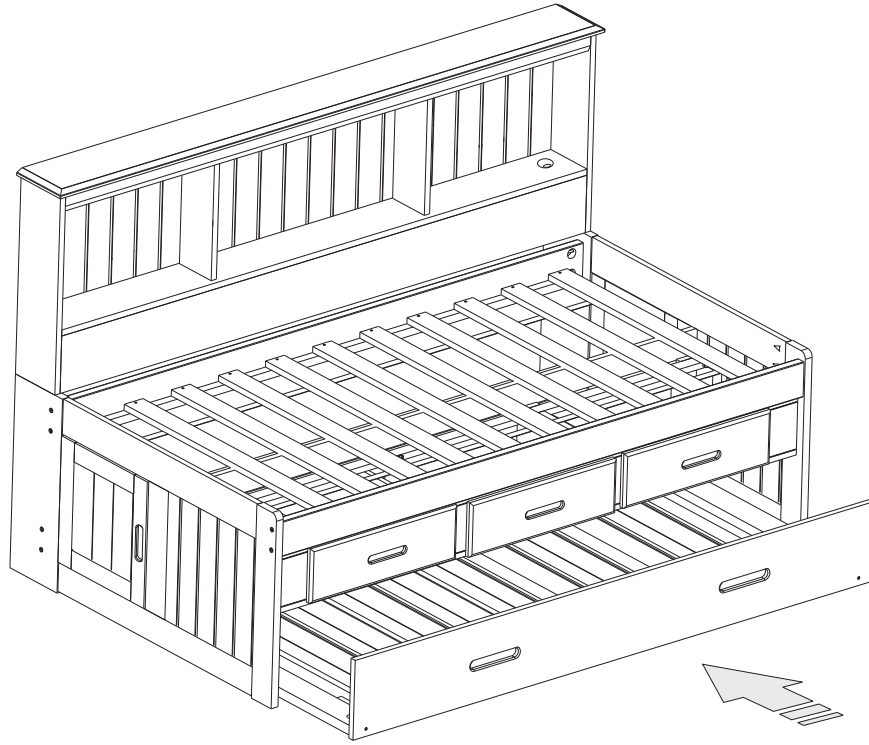
09



Optional 3 Drawer Unit

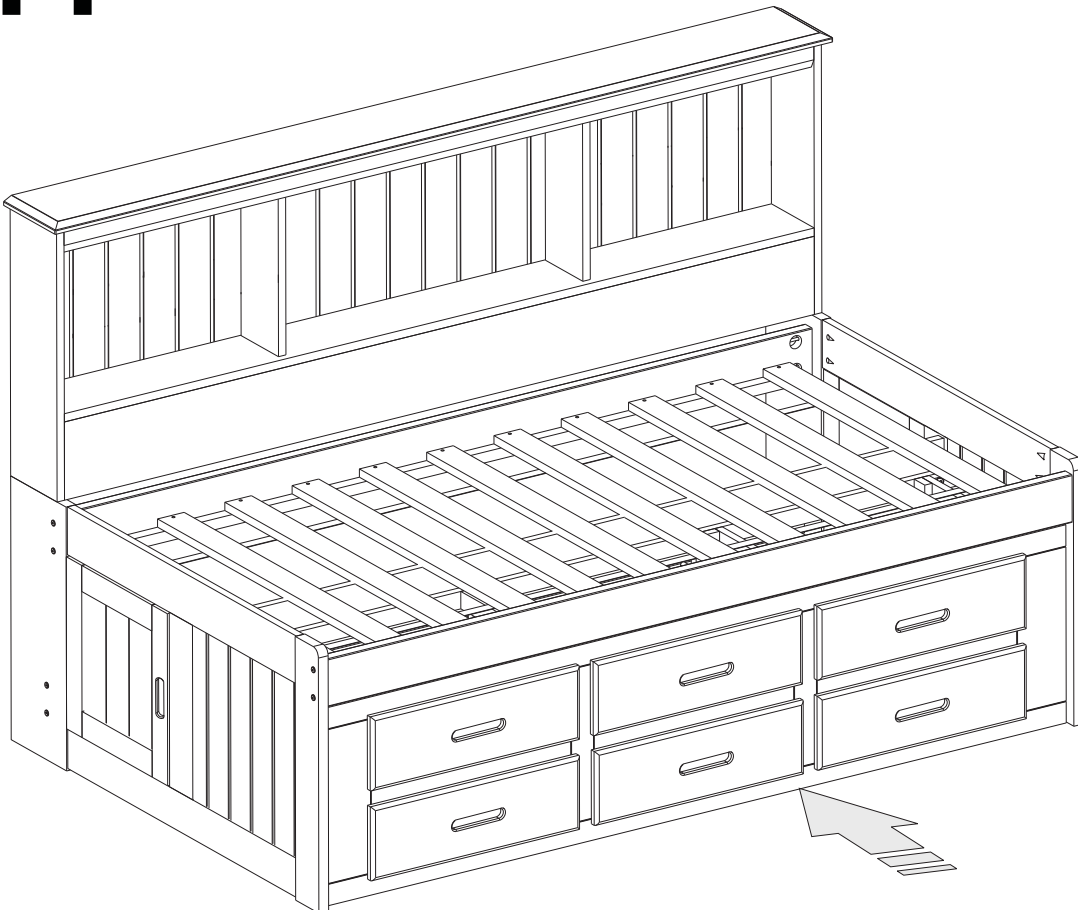
Simply slide the Drawer unit on the elevation Stick

10



Optional Trundle

11



Optional 6 Drawer Unit