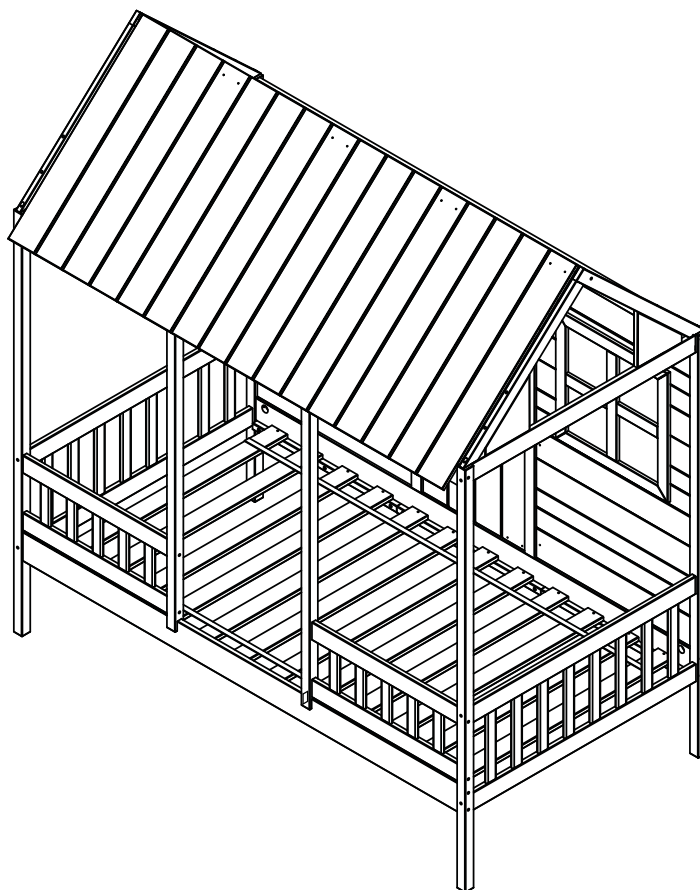


Fort Worth, Texas 76140

## ASSEMBLY INSTRUCTIONS

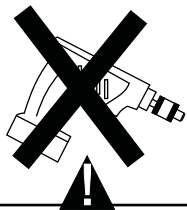
1899 - TWIN FRONT PORCH BED



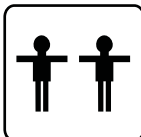
Thank you for purchasing this quality product. Be sure to check all packing material carefully for small parts which may have come loose inside the carton during shipment. Separate, identify and count all parts and hardware.

Compare with the parts list to be sure all parts are present.

**"DO NOT TIGHTEN SCREWS UNTIL COMPLETELY ASSEMBLED"**



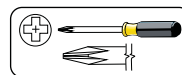
\* Use of power tool to assemble this product will invalidate any claim and damage this product making unsafe !!!  
\* Please assemble on a clean soft surface to avoid damage.



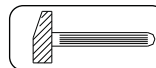
+



### Tools Required



(Not included)

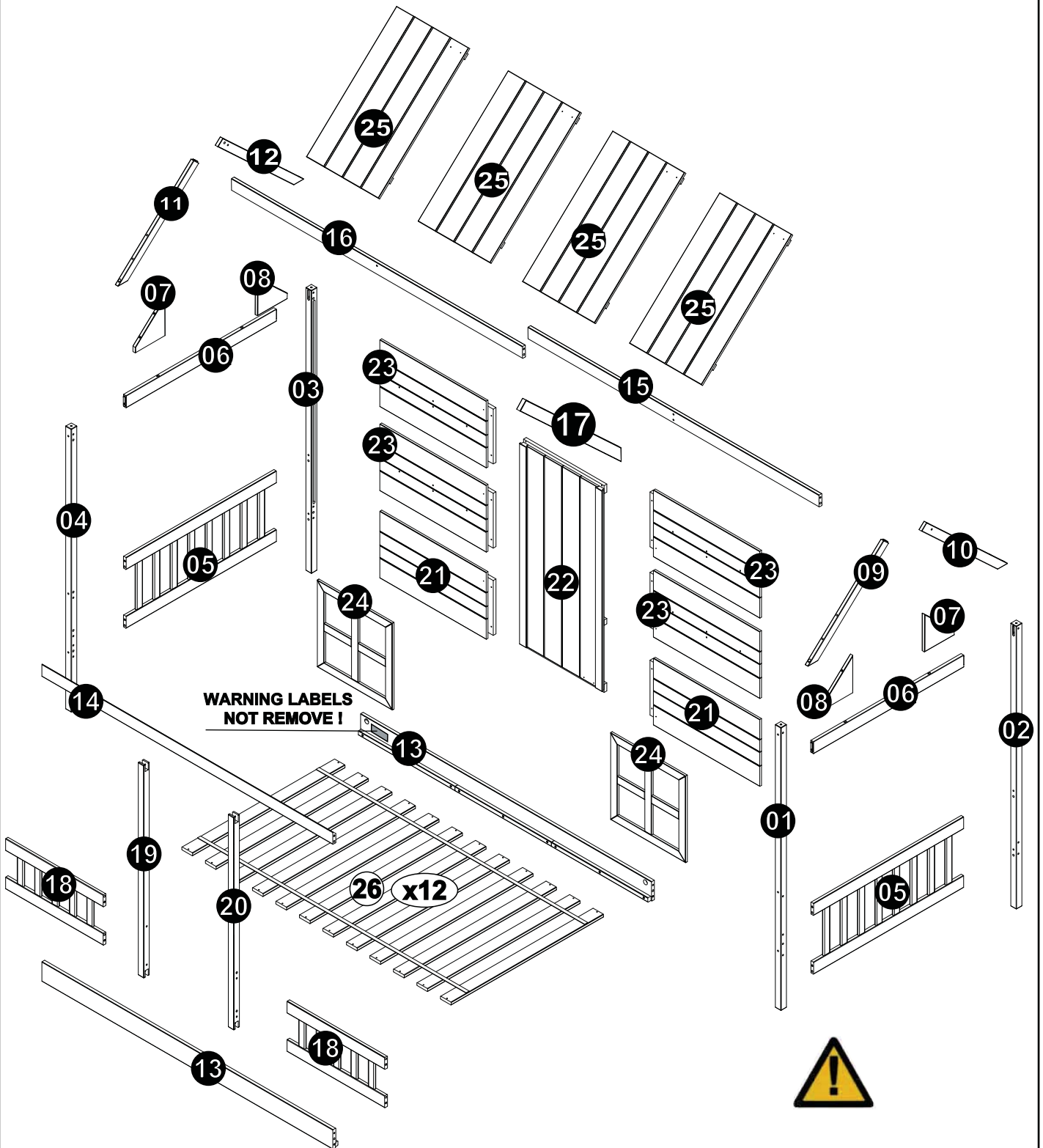


(Not included)

### IMPORTANT:

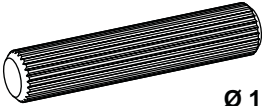

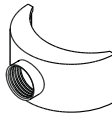
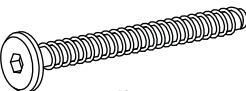
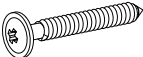
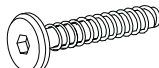

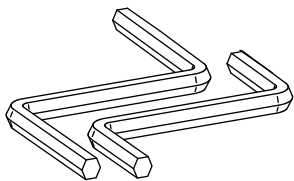
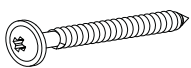
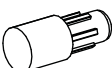
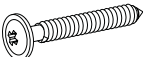
**PLEASE READ INSTRUCTION BEFORE STARTING THE ASSEMBLY**

# Part List- 1899 - TWIN FRONT PORCH BED

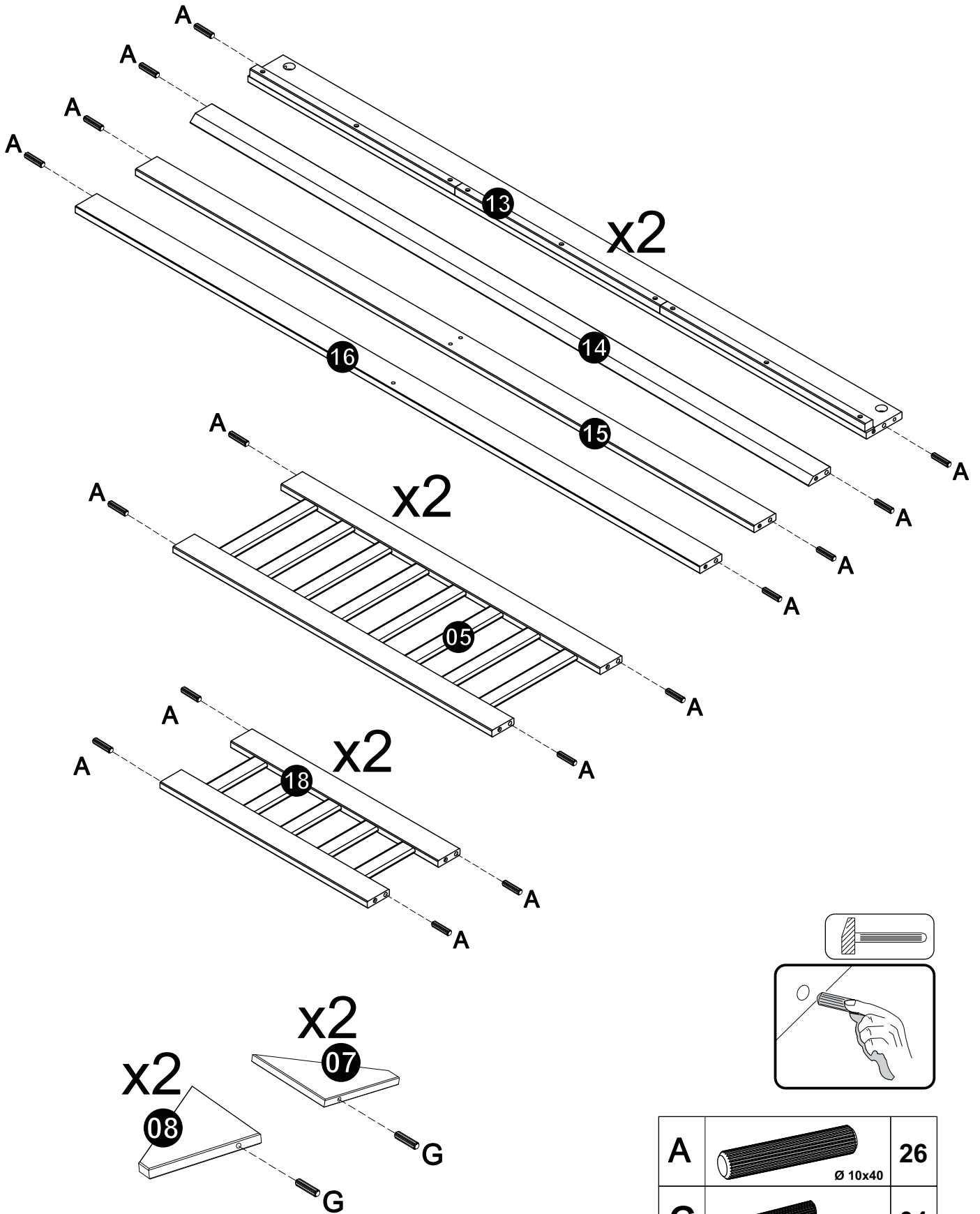




Please be careful when assembling this product due the parts are extremely heavy. Also, please do not allow kids around when assembling this bed to avoid injuries.

**Identifying the Hardware**-Identify the hardware using the illustrations below.

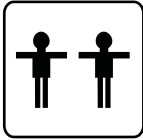
<b>A</b>	 Ø 10x40	<b>26</b>
<b>B</b>	 Ø 1/4X80 HEAD 17	<b>04</b>
<b>C</b>		<b>04</b>
<b>D</b>	 Ø 7X80 HEAD 17	<b>38</b>
<b>E</b>	 Ø 3,5X30	<b>44</b>
<b>F</b>	 Ø 7X40 HEAD 13	<b>08</b>
<b>G</b>	 Ø 08X30	<b>05</b>
<b>H</b>		<b>02</b>
<b>I</b>	 Ø 04x45	<b>16</b>
<b>J</b>	 Ø 06x08	<b>04</b>
<b>K</b>	 Ø 4,0X25	<b>12</b>

# 01



A	 Ø 10x40	26
G	 Ø 08x30	04

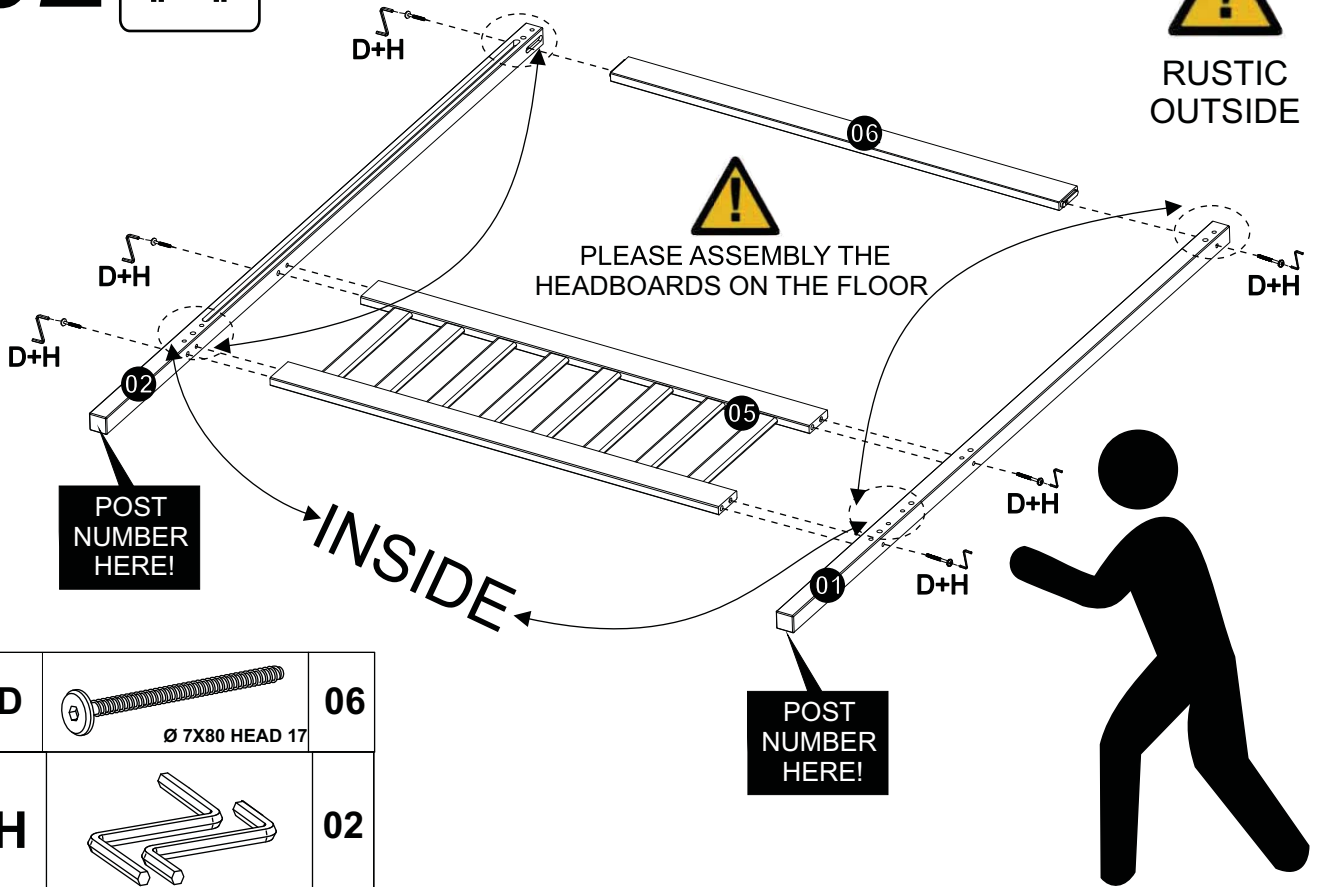
# 02


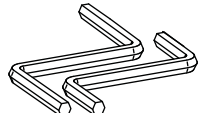


## RIGHT HEADBOARD

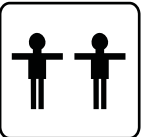


RUSTIC OUTSIDE



D	 Ø 7X80 HEAD 17	06
H		02

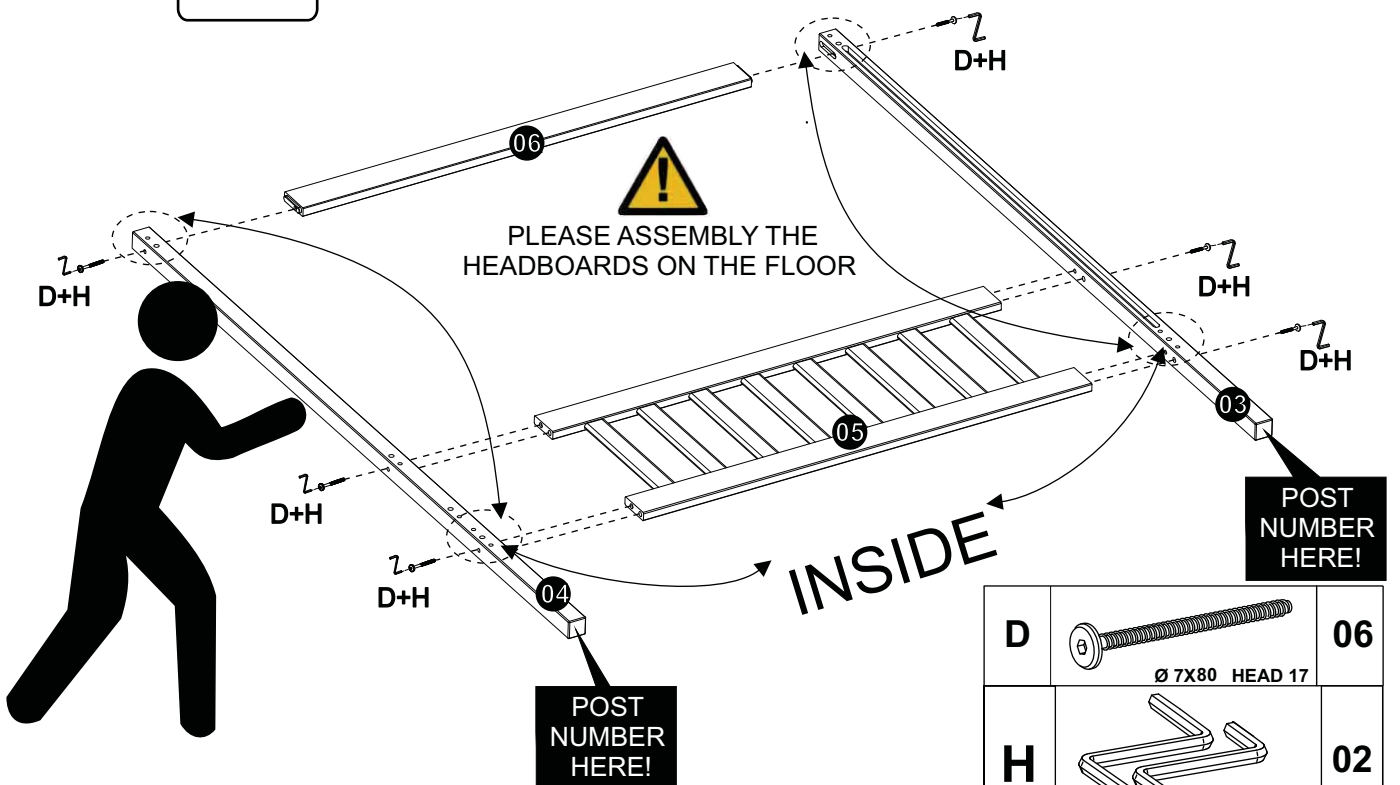
# 03


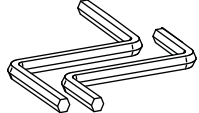


## LEFT HEADBOARD

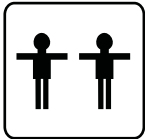


PLEASE ASSEMBLY THE HEADBOARDS ON THE FLOOR



D	 Ø 7X80 HEAD 17	06
H		02

# 04



LEFT HEADBOARD



RUSTIC OUTSIDE



Caution

Please be careful when assembling this product due the parts are extremely heavy. Also, please do not allow kids around when assembling this bed to avoid injuries.



D+H

B+H

D+H

D+H

15

14

03

C

13

C

13

C

RIGHT HEADBOARD

D+H

D+H

C

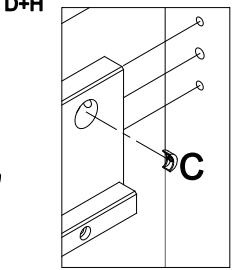
B+H

D+H

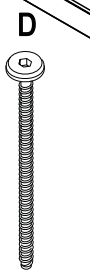
01

B+H

D+H



<b>D</b>		<b>08</b>
<b>H</b>		<b>02</b>
<b>B</b>		<b>04</b>
<b>C</b>		<b>04</b>

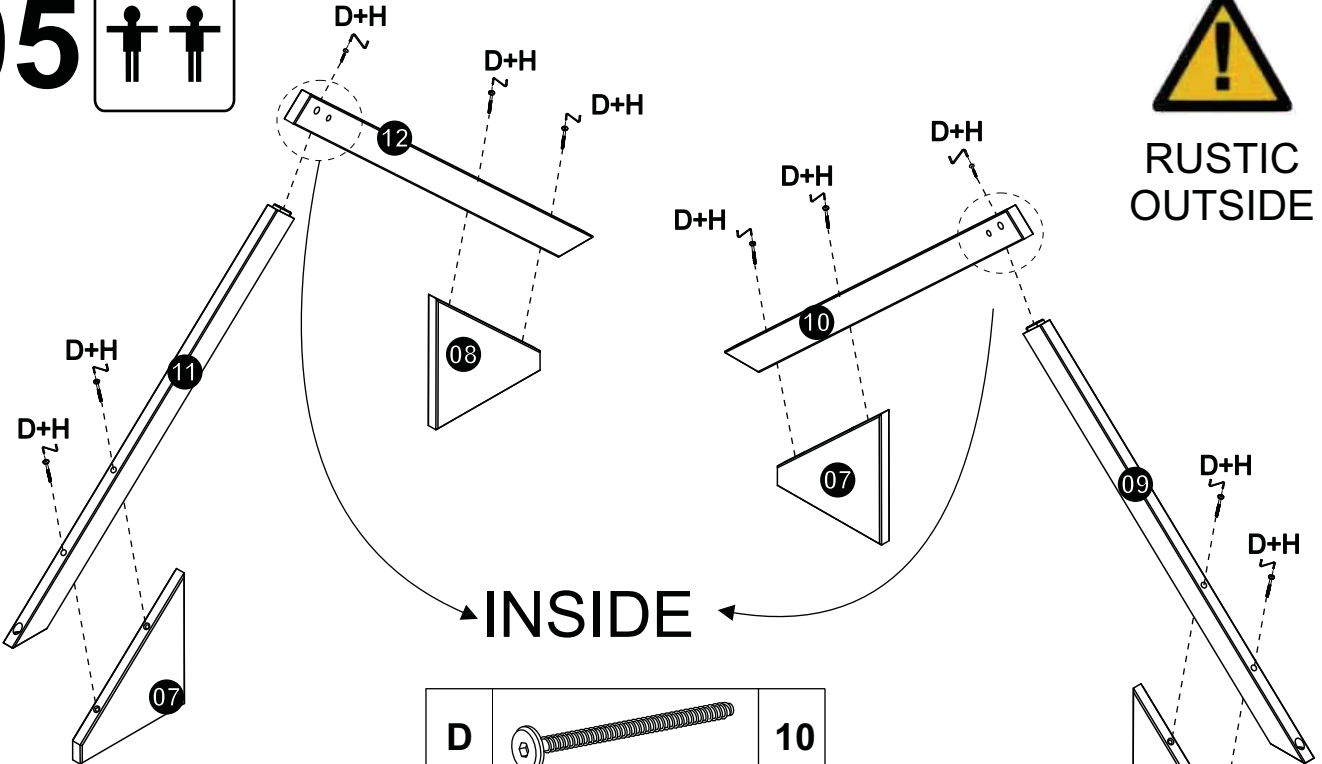


Ø 1/4X80 HEAD 17    Ø 7X80 HEAD 17

# 05

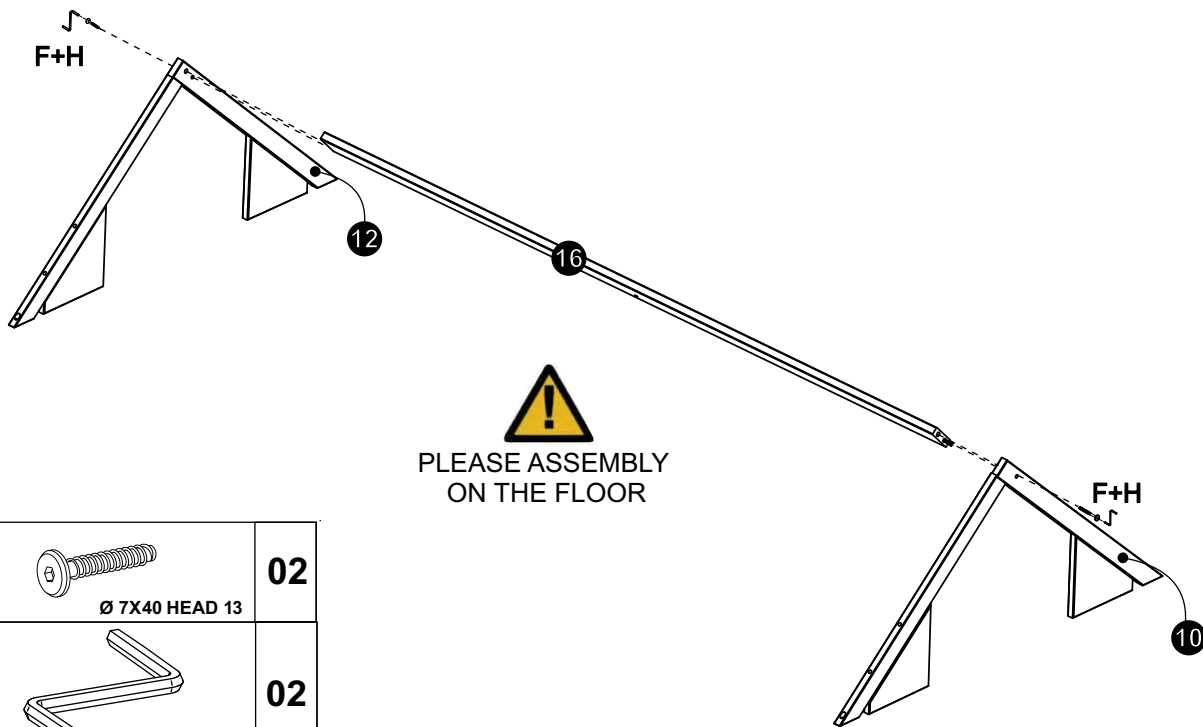
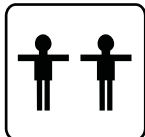



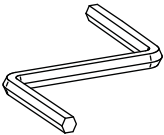
RUSTIC OUTSIDE



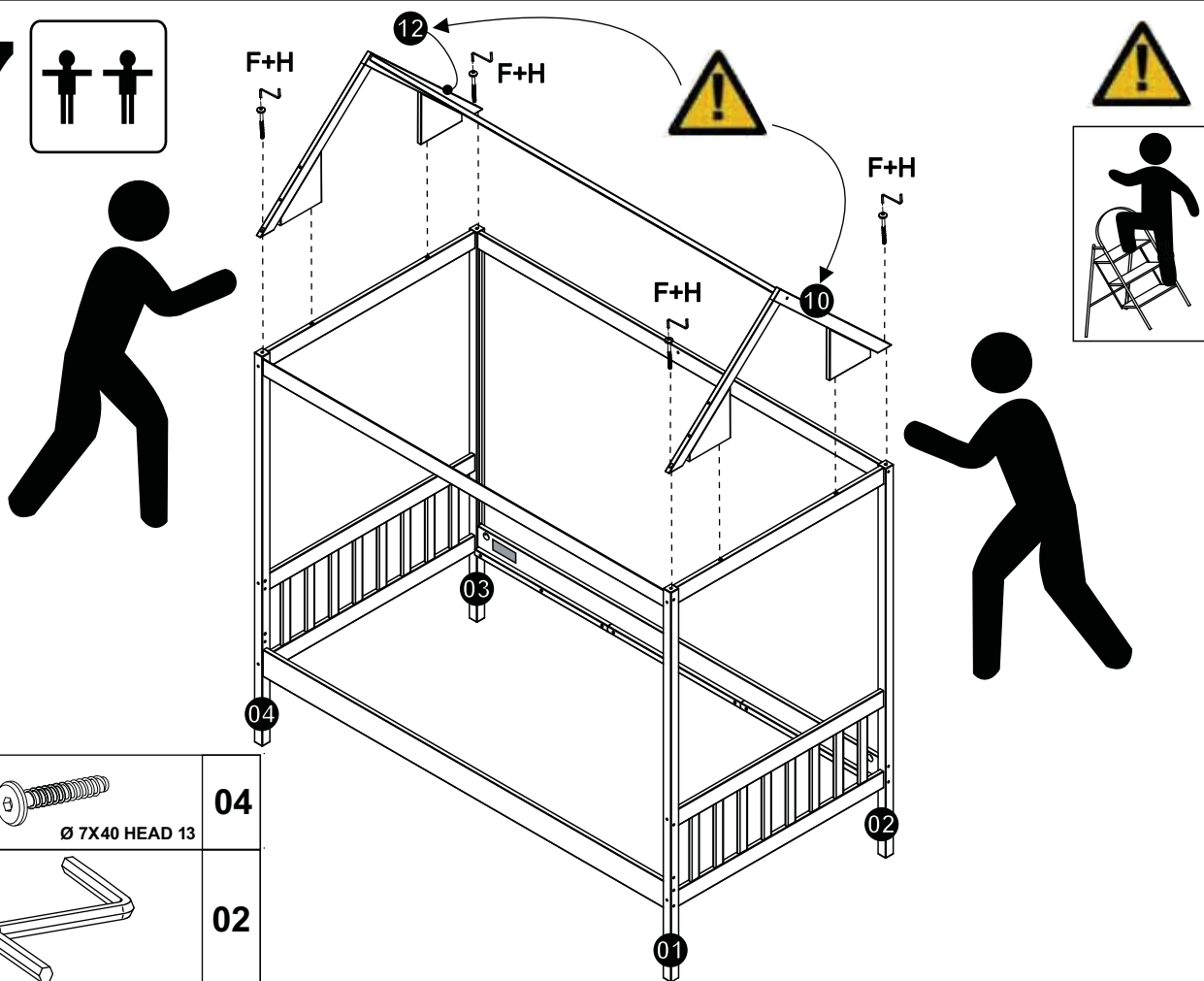
<b>D</b>		<b>10</b>
<b>H</b>		<b>02</b>


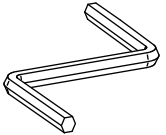
# 06



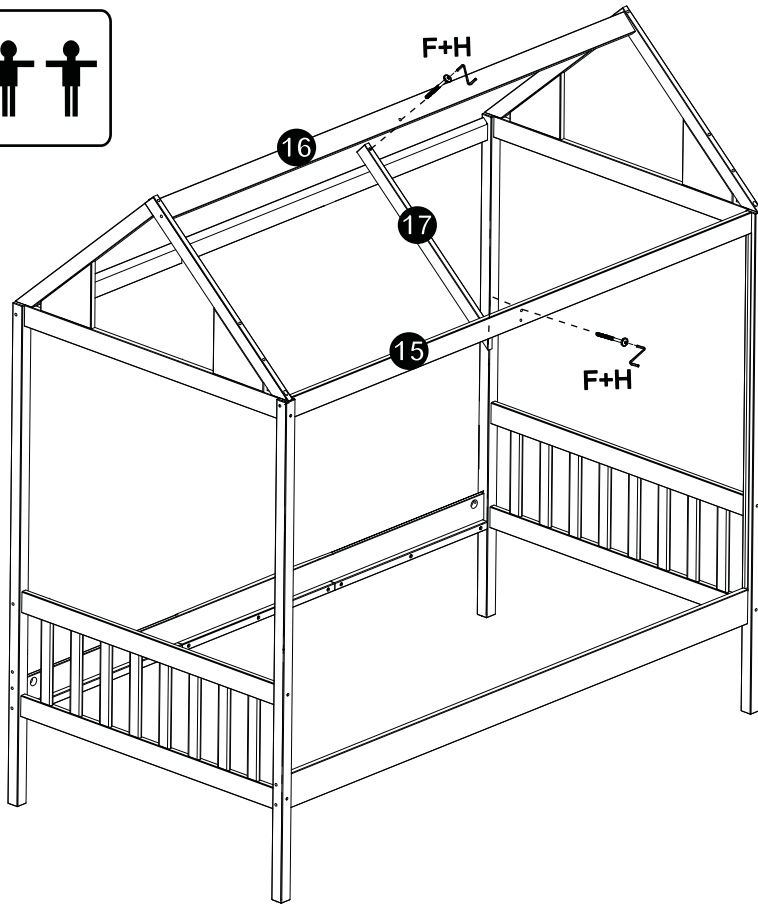
F	 Ø 7X40 HEAD 13	02
H		02

# 07



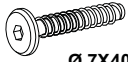
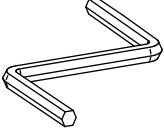
F	 Ø 7X40 HEAD 13	04
H		02

# 08



  
BACK SIDE

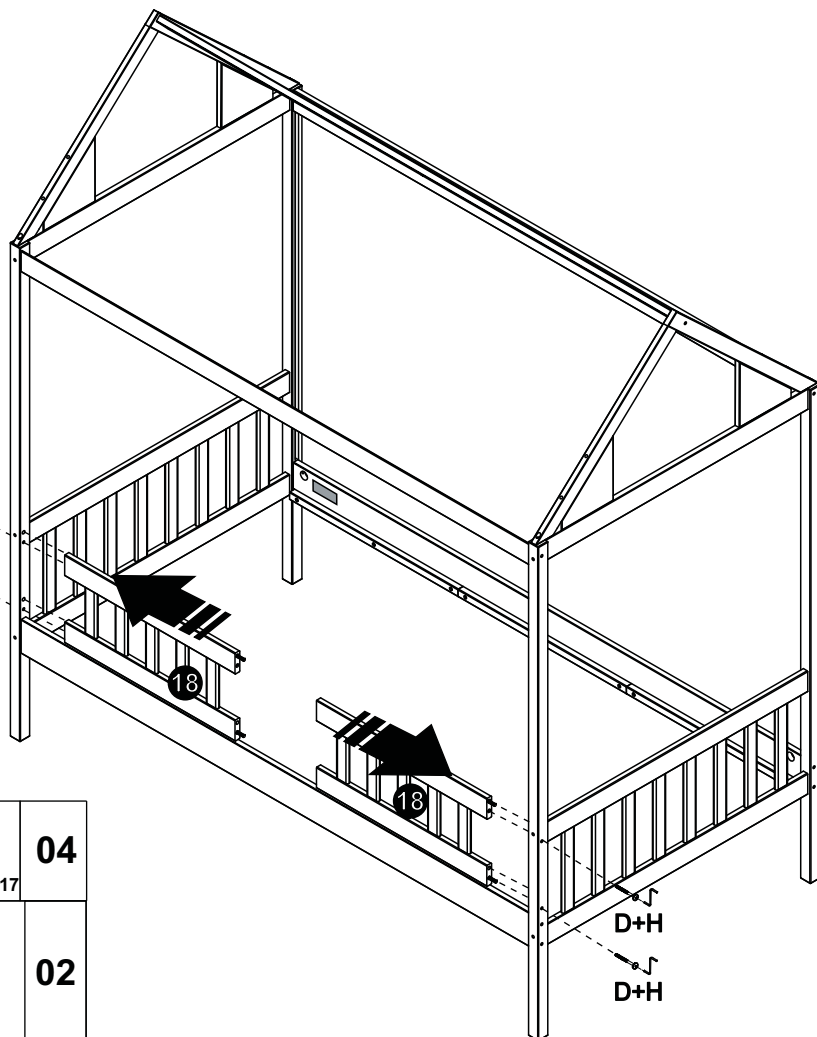


<b>F</b>	 Ø 7X40 HEAD 13	<b>02</b>
<b>H</b>		<b>01</b>


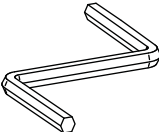
# 09



FRONT SIDE



RUSTIC  
OUTSIDE

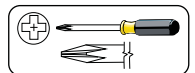
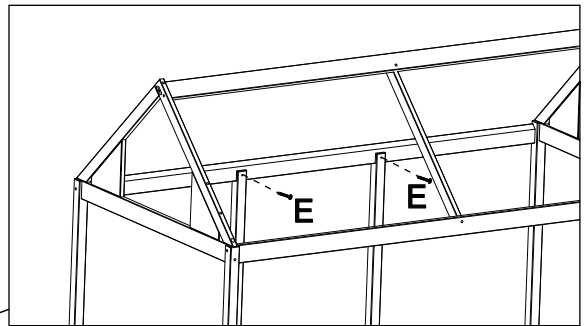
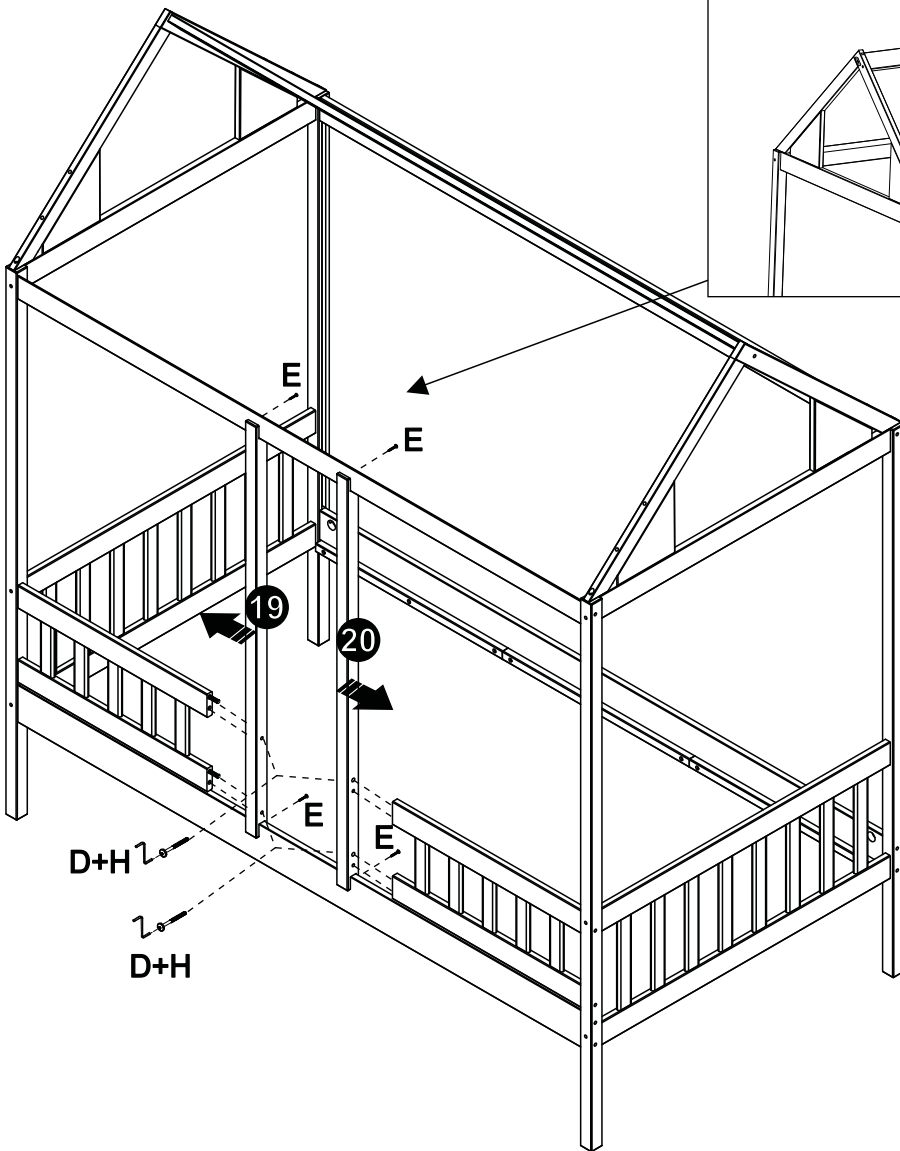
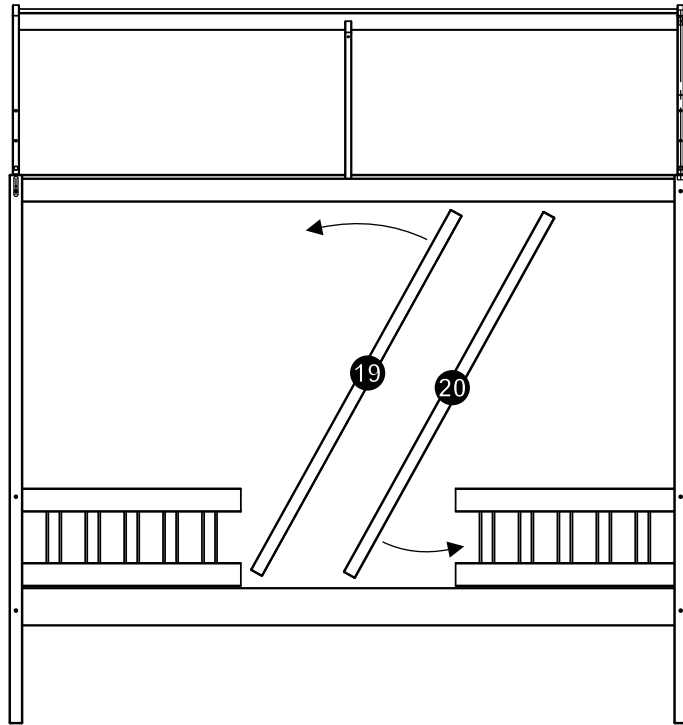
<b>D</b>	 Ø 7X80 HEAD 17	<b>04</b>
<b>H</b>		<b>02</b>



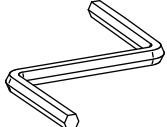


# 10

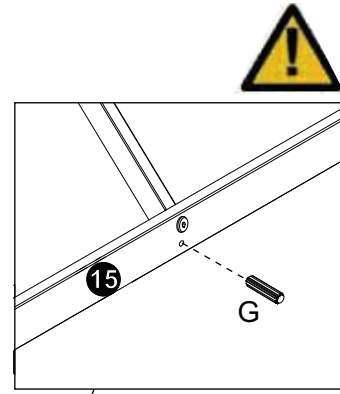
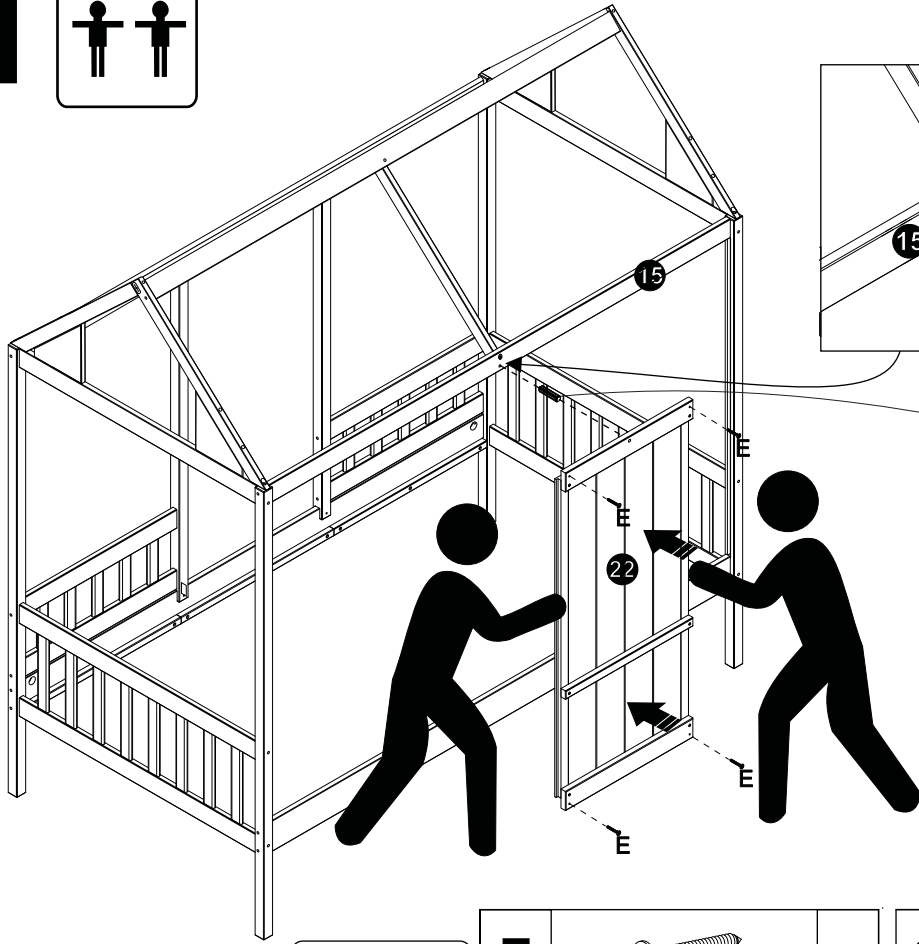


FRONT SIDE



E	 Ø 3,5X30	04
D	 Ø 7X80 HEAD 17	04
H		02

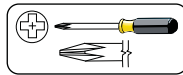
# 11



ALIGNMENT



BACK SIDE



E



Ø 3,5X30

04

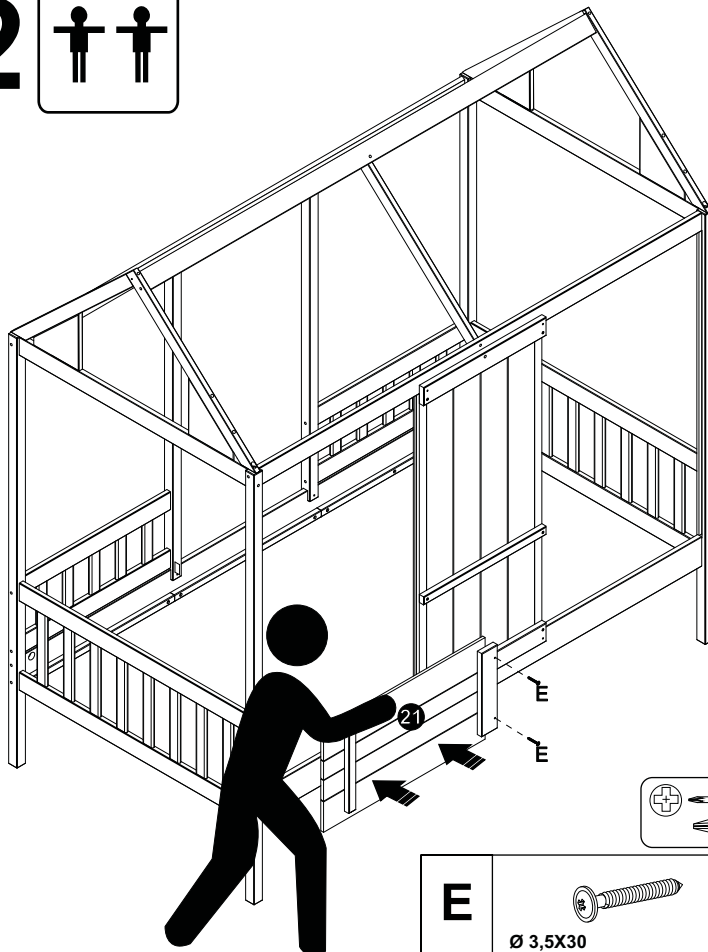
G



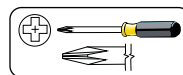
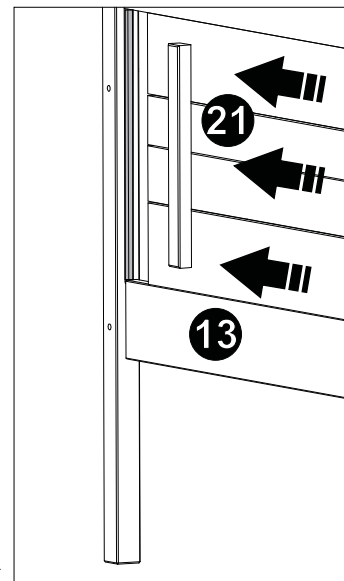
Ø 08X30

01

# 12



INSERT THE  
WALL PANELS  
INTO THE  
OPEN POST.



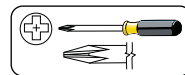
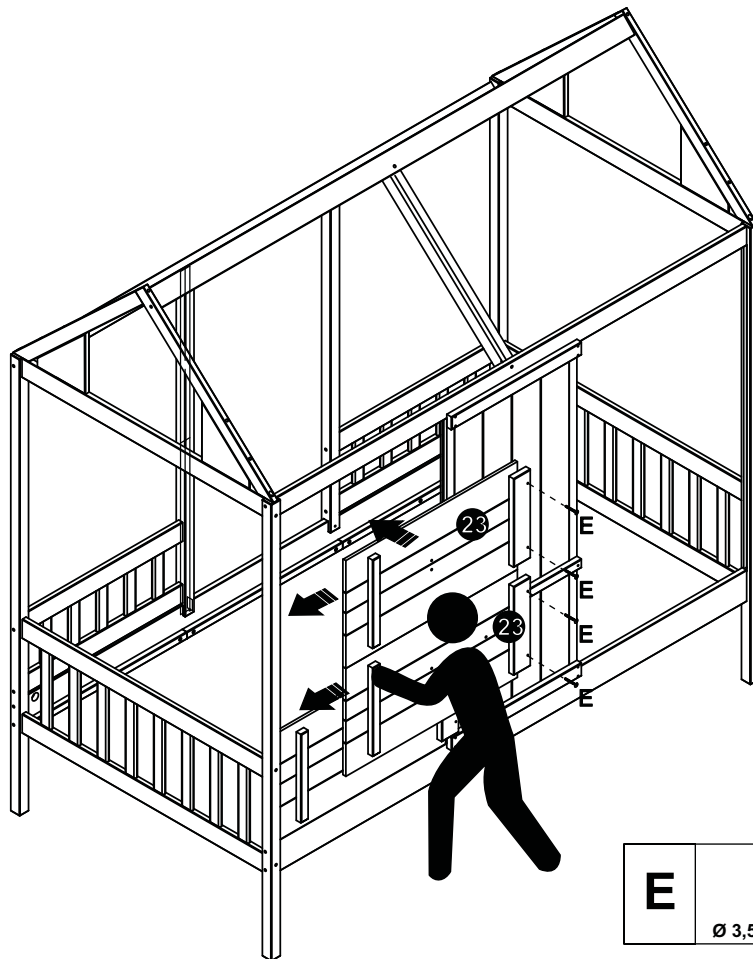
E

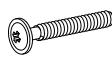


Ø 3,5X30

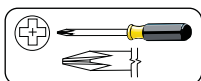
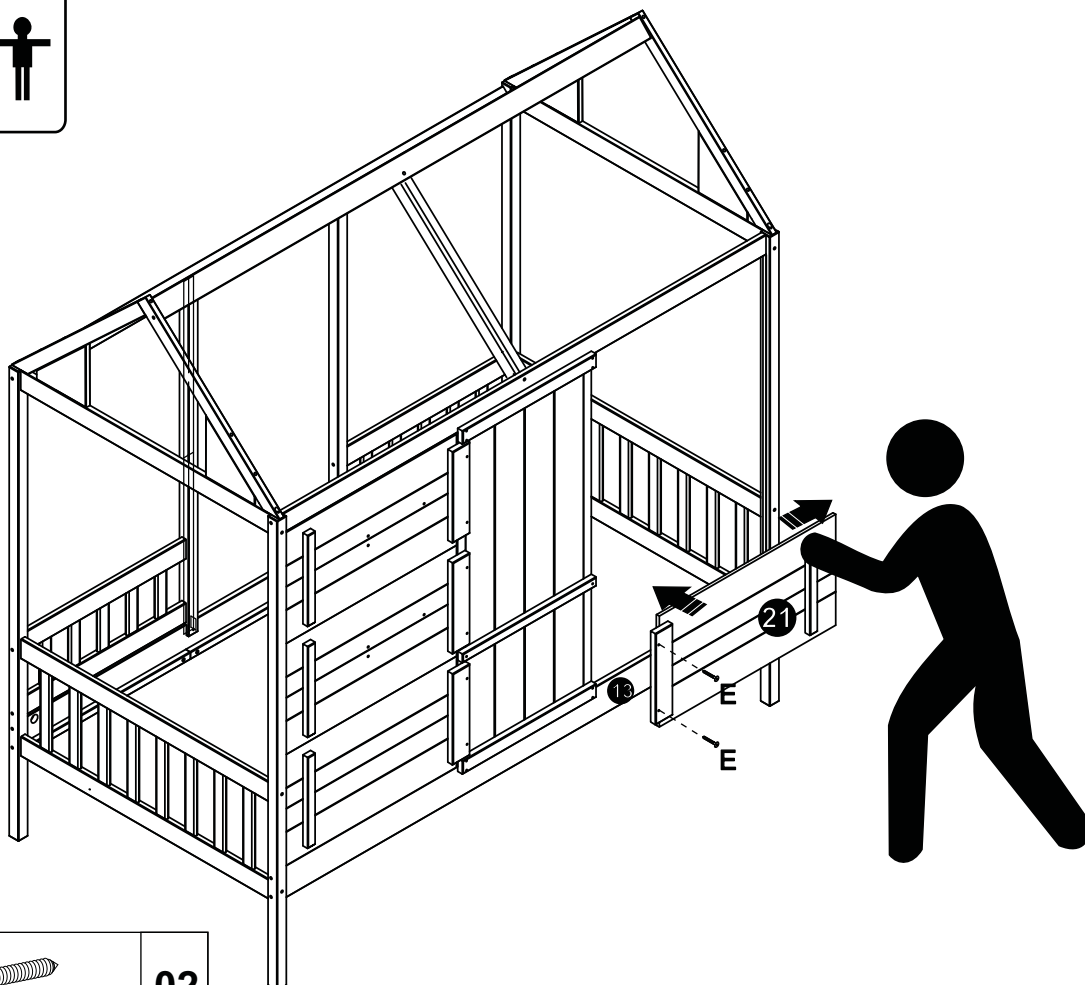
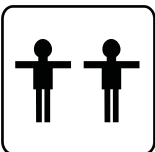
02


# 13



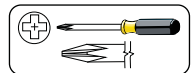
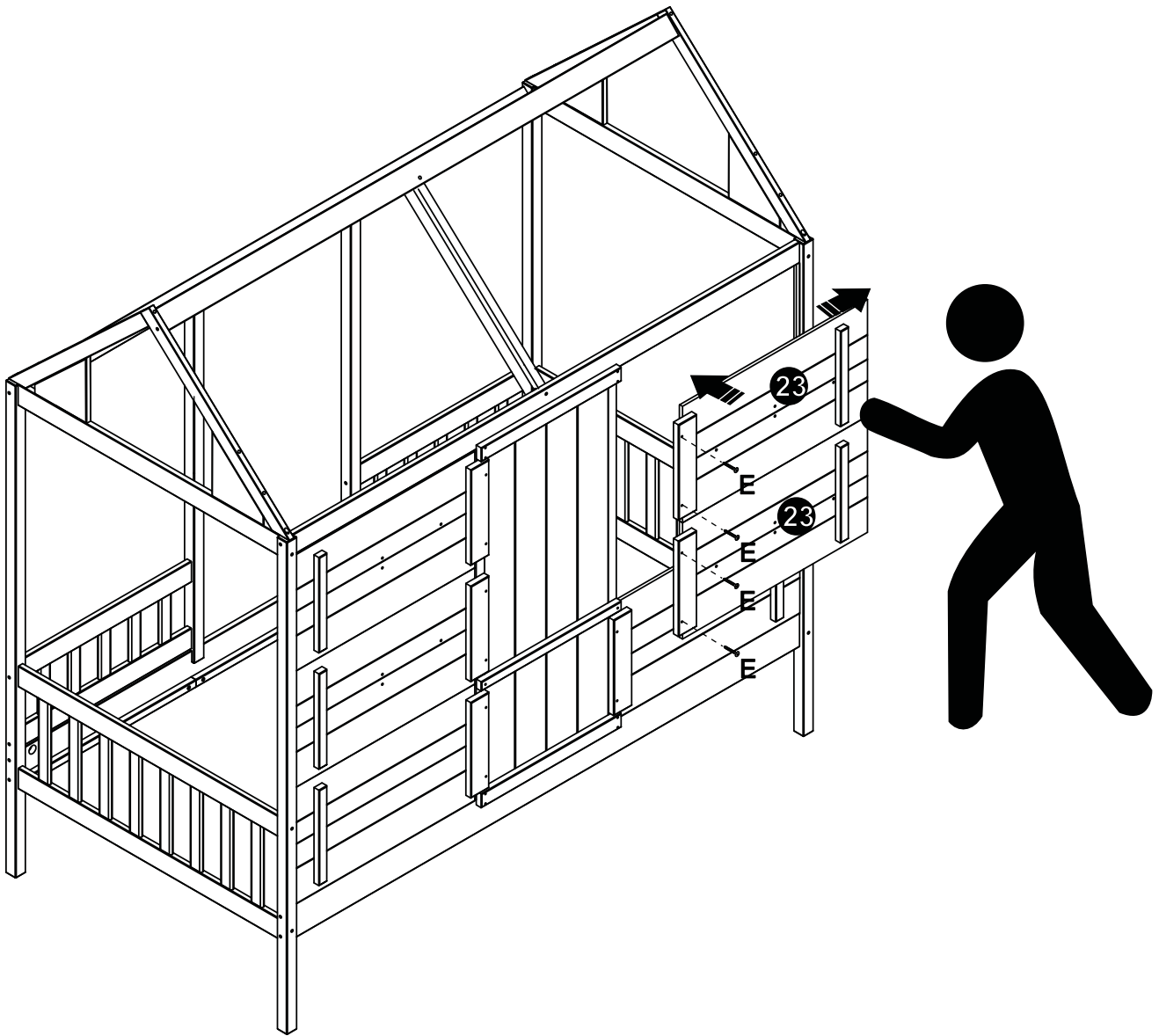
<b>E</b>		<b>04</b>
$\text{Ø } 3,5 \times 30$		


# 14



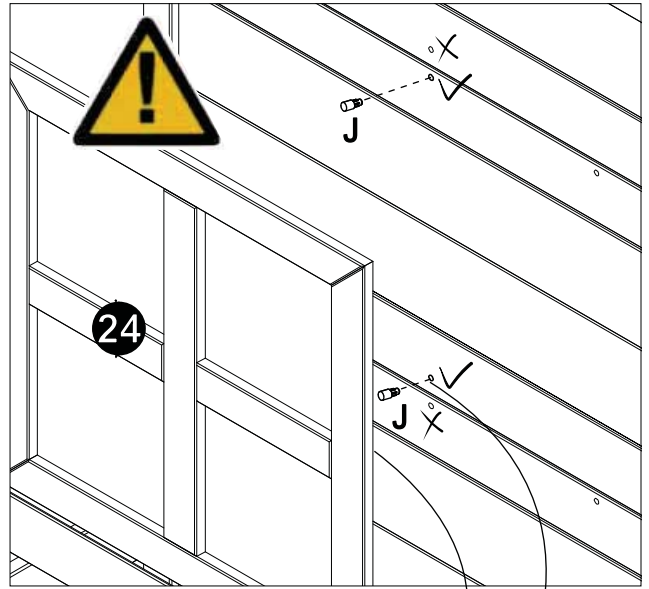
<b>E</b>		<b>02</b>
$\text{Ø } 3,5 \times 30$		

# 15

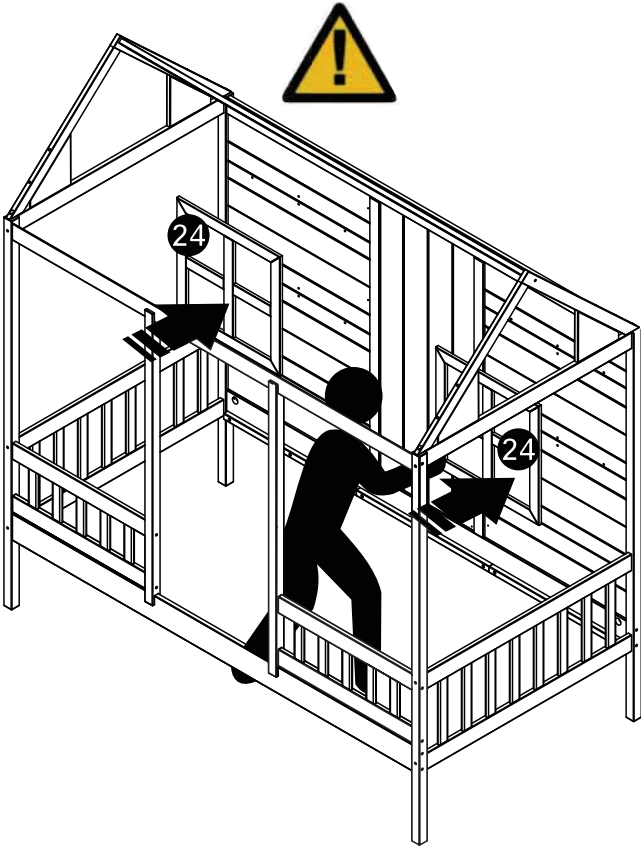


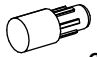
<b>E</b>	 Ø 3,5X30	<b>04</b>
----------	---	-----------

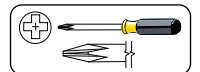
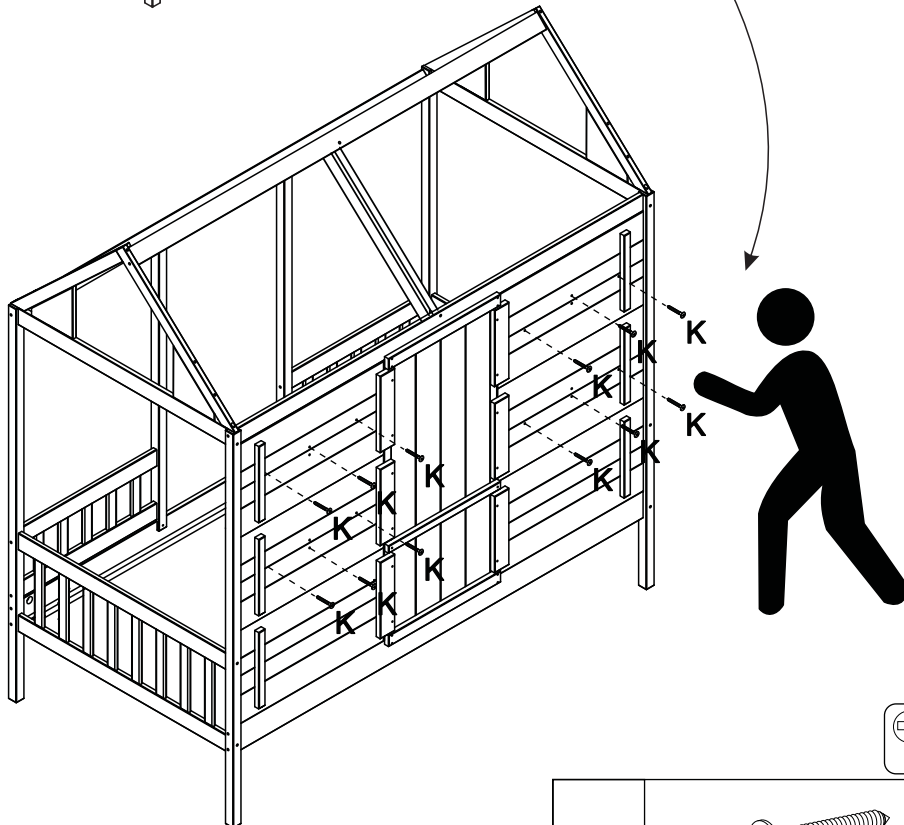
# 16

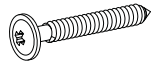


HOLES



<b>J</b>	 Ø 06x08	<b>04</b>
----------	---	-----------

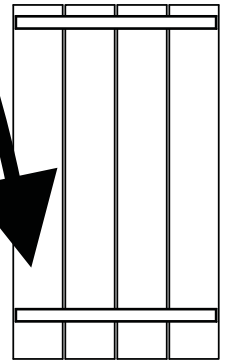
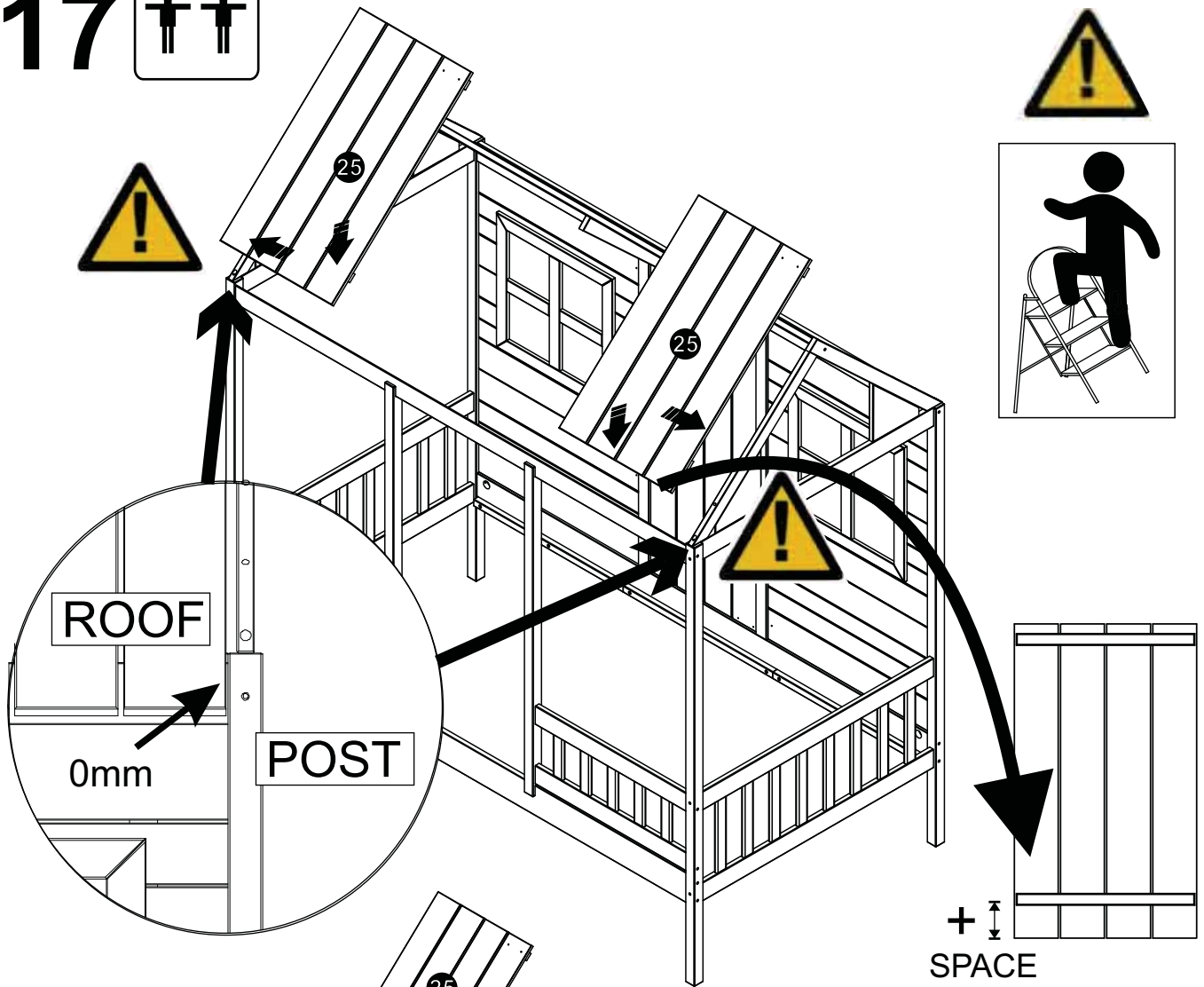


<b>K</b>	 Ø 3,5X25	<b>12</b>
----------	---	-----------

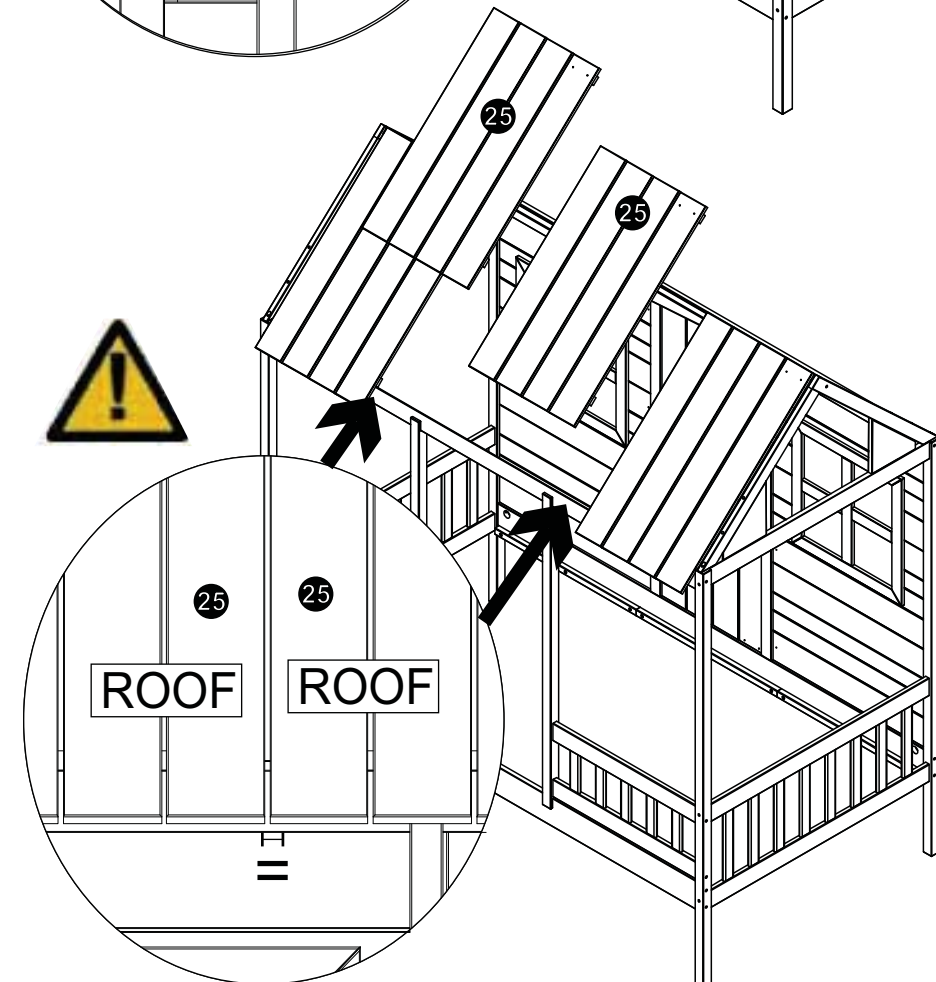
# 17



## ROOF



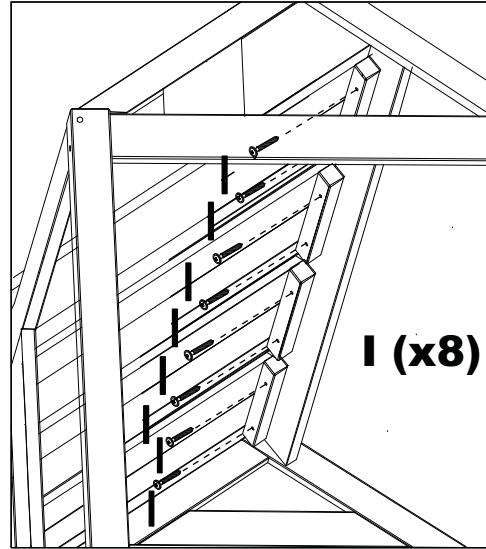
SPACE  
BOTTOM



# 18

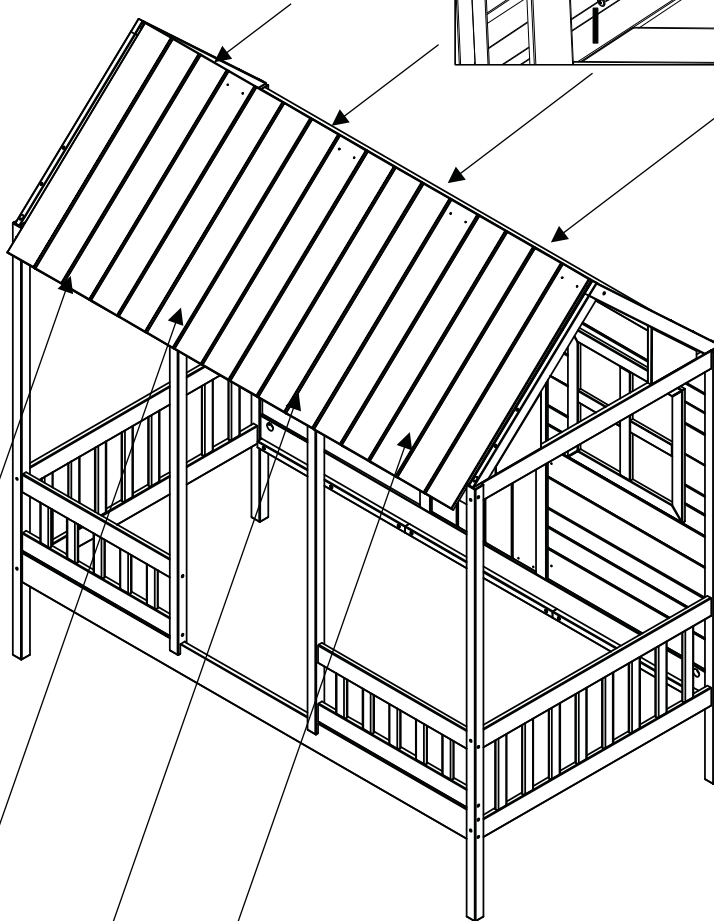


ROOF FIXING ON THE INSIDE

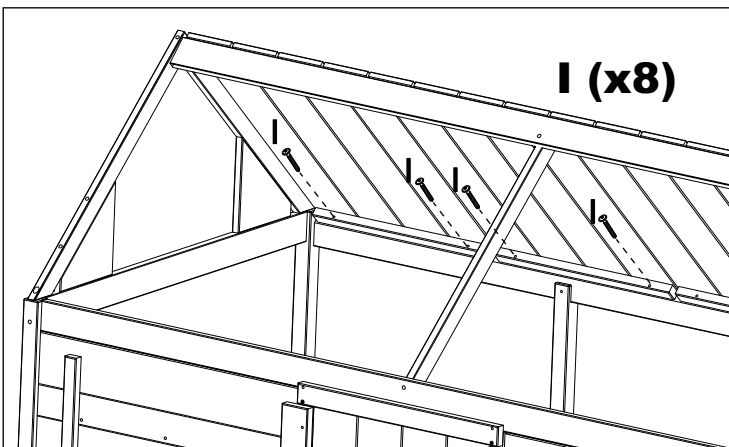


I (x8)

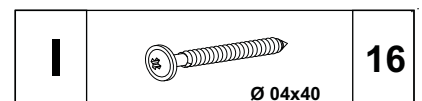
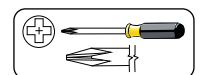
ROOF TOP



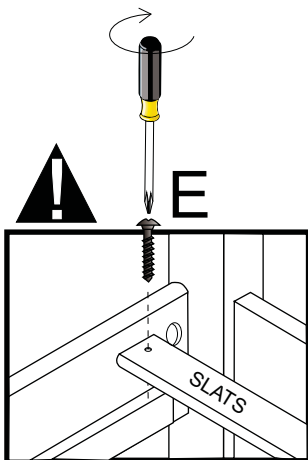
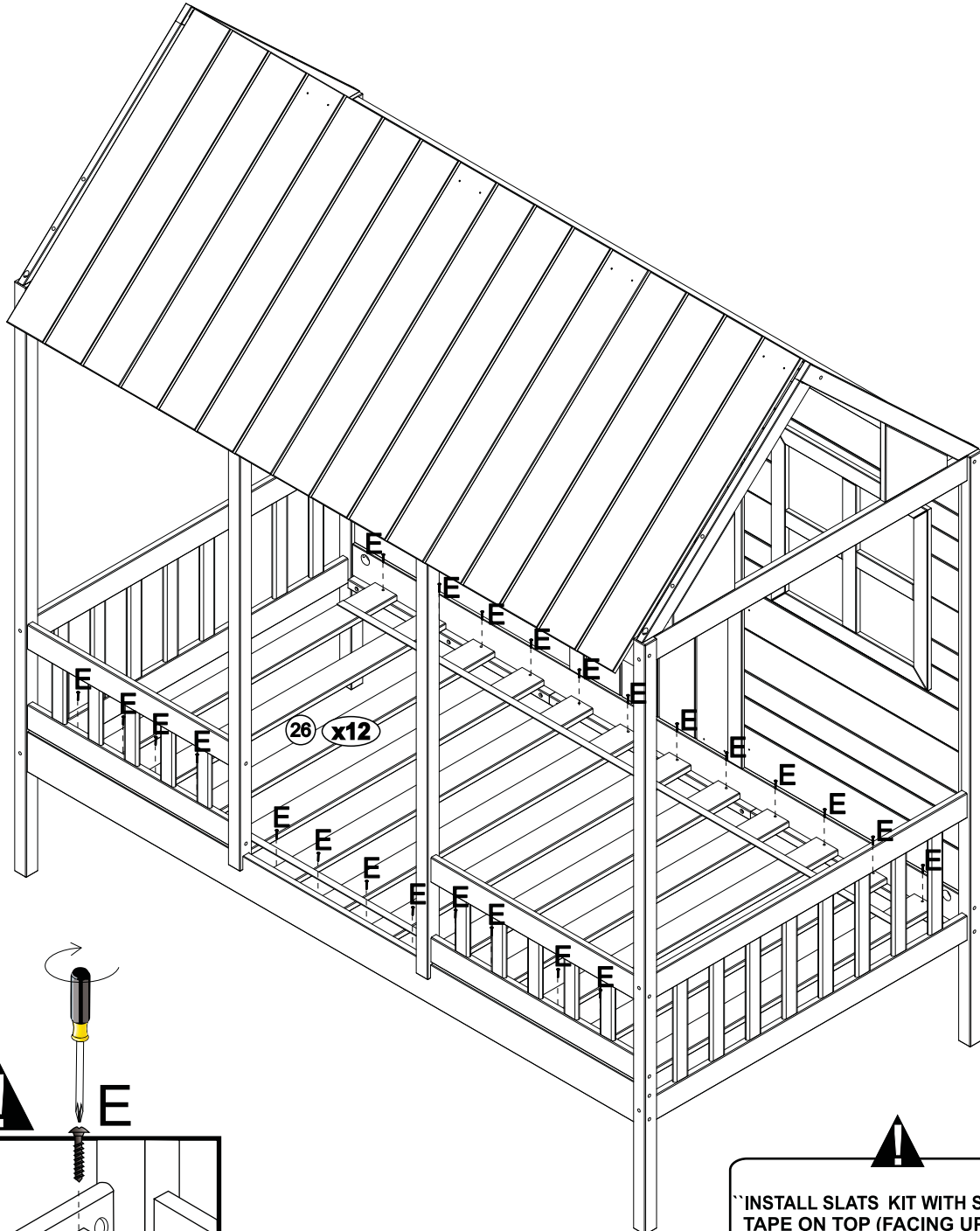
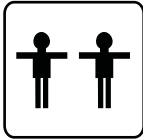
ROOF BOTTOM



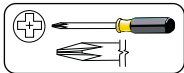
I (x8)



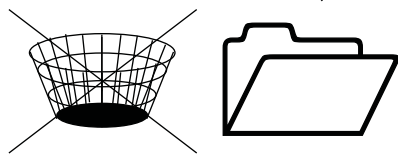
# 19

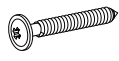


**! INSTALL SLATS KIT WITH SPACER TAPE ON TOP (FACING UP)**



**! The first slats must be fixed at 3 1/4" from each headboard end.**



<b>E</b>	 Ø 3,5X30	<b>24</b>
----------	---	-----------