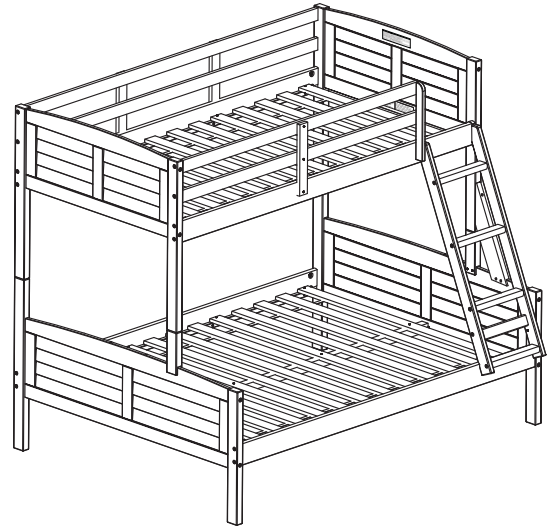


ASSEMBLY INSTRUCTIONS

2012 TWIN FULL LOUVER BUNK BED



Thank you for purchasing this quality product. Be sure to check all packing materials carefully for small parts which may have come loose inside the carton during shipment. Separate, identify and count all parts and hardware. Compare with the parts list to be sure all parts are present.

**“DO NOT TIGHTEN SCREWS
UNTIL COMPLETELY ASSEMBLED”**

SIZE OF MATTRESS AND FOUNDATION (SUPPORT)

This bed is designed to use a twin mattress (37 ½”- 38 ½” x 74 - 75”) and bunkie board (37 ½ “ x 74”) low bed is designed to use a full mattress (53 ½”- 54 ½”- 54 ½” x 74”- 75”) and bunkie board 53 ½”-74”. The total thickness must not exceed 9” inches.

Note: There must be at least **5”** inches from top surface of mattress to top edge of guardrails.

REPLACEMENT PARTS.

Replacement parts, including additional guardrails, may be obtained from place of purchase or original distributor.

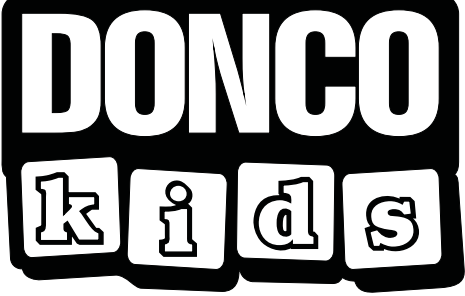
TO OBTAIN PARTS, PLEASE CONTACT: **DONCO TRADING COMPANY - FORT WORTH, TEXAS**

SAFETY WARNINGS!

- 1- Follow the information on the warning label appearing on the upper bunk end structure and on the carton. Do not remove warning label from bed.
- 2- Always use the recommended size mattress or mattress support, or both, to help prevent the likelihood of entrapment or falls.
- 3- Surface of mattress must be at least 5 inches below the upper edge of guardrails.
- 4- Do not allow children under 6 years of age to use the upper bunk.
- 5- Prohibit more than one person on upper bunk.
- 6- Periodically check and ensure that the guardrail, ladder and other components are in their proper position free from damage, and that all connectors are tight.
- 7- Do not allow horseplay on or under the bed and prohibit jumping on the bed.
- 8- Always use the ladder for entering and leaving the upper bunk.
- 9- Do not use substitute parts. Contact distributor or dealer for replacement parts.
- 10- Use of a night light may provide added safety precaution for a child using the upper bunk.
- 11- If the bunk bed will be placed next to a wall, the guardrail that runs the full length of the bed should be placed against the wall to prevent entrapment between the bed and the wall.
- 12- Always use guardrails on both long sides of the upper bunk.
- 13- The use of water or sleep flotation mattresses is prohibited.
- 14- Keep these instructions for future reference.
- 15- Strangulation Hazard - Never attach or hang items to any part of the bunk bed that are not designed for use with the bed: for example, but not limited to, hooks, belts, and jump ropes, etc.



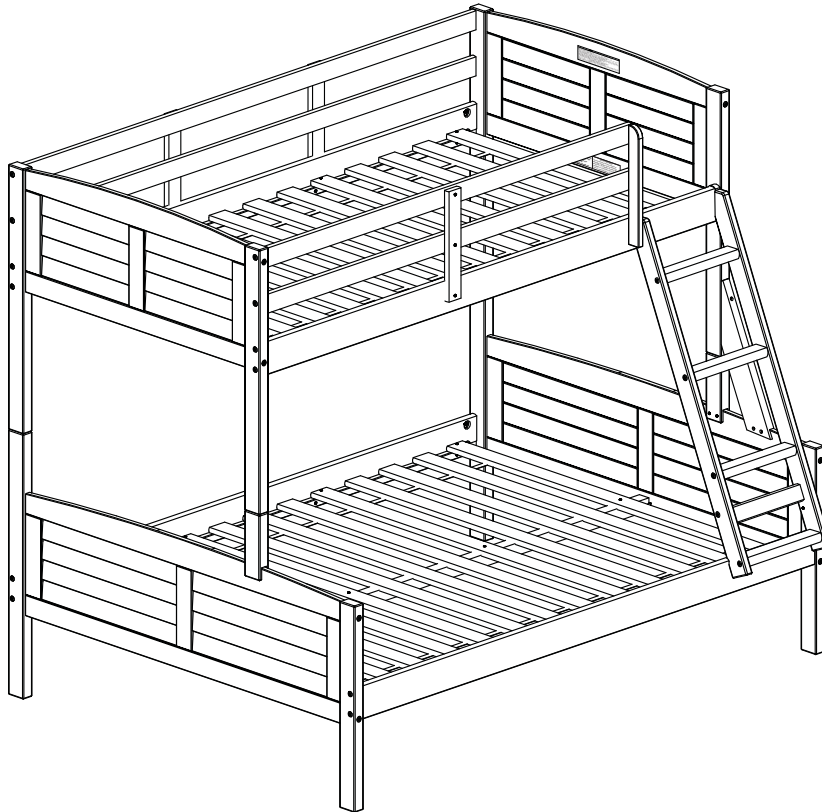
IMPORTANT: PLEASE READ INSTRUCTIONS BEFORE STARTING THE ASSEMBLY



Fort Worth, Texas 76140

ASSEMBLY INSTRUCTIONS

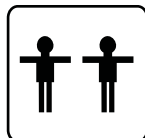
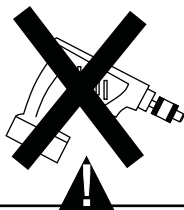
2012 TWIN FULL LOUVER BUNK BED



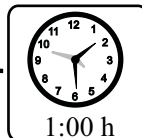
Thank you for purchasing this quality product. Be sure to check all packing material carefully for small parts which may have come loose inside the carton during shipment. Separate, identify and count all parts and hardware.

Compare with the parts list to be sure all parts are present.

"DO NOT TIGHTEN SCREWS UNTIL COMPLETELY ASSEMBLED"

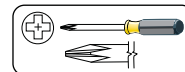


+

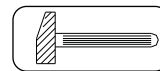


1:00 h

Tools Required



(Not included)



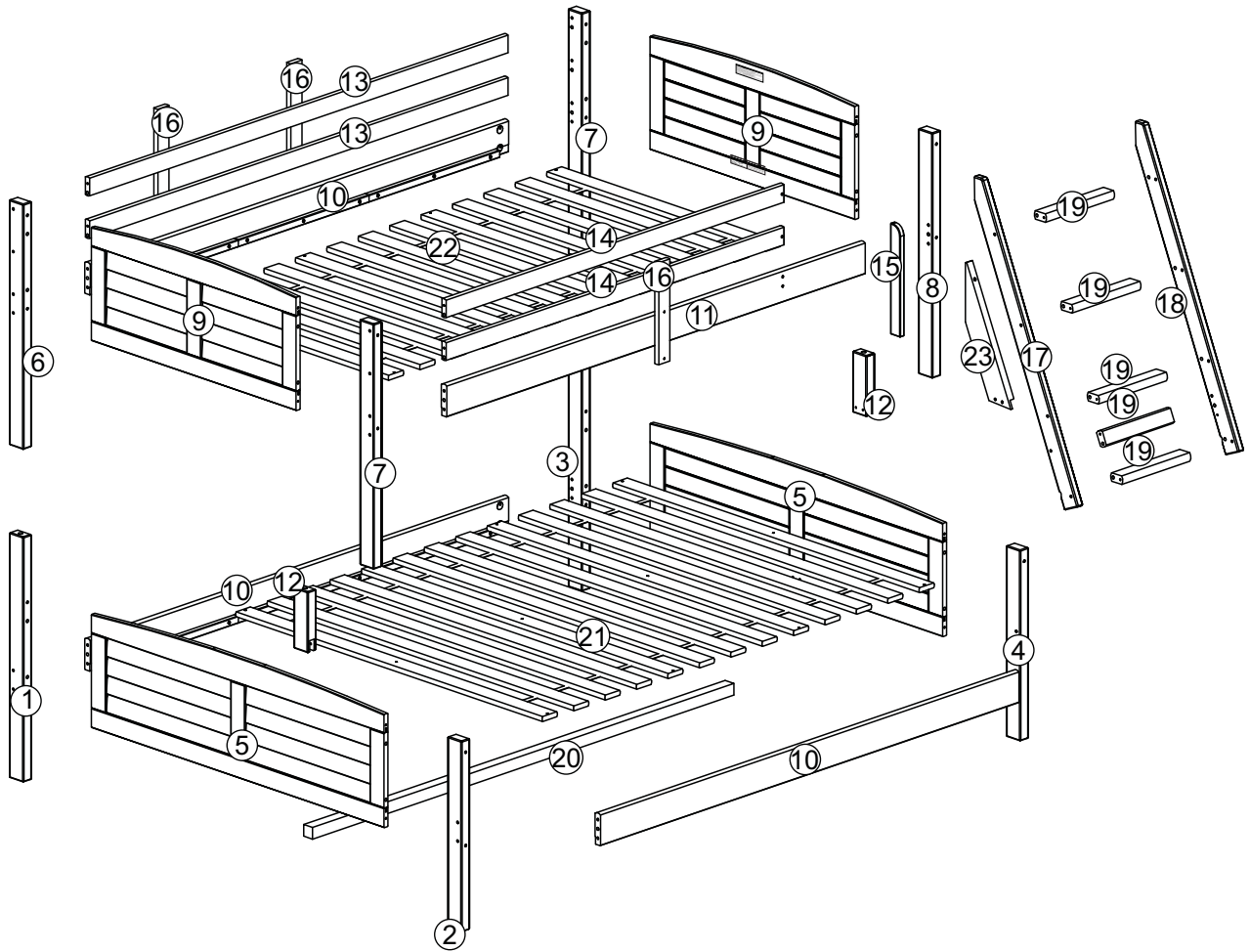
(Not included)

* Use of power tool to assemble this product will invalidate any claim and damage this product making unsafe !!!
* Please assemble on a clean soft surface to avoid damage.

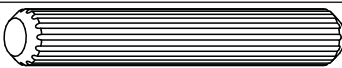

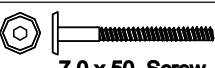
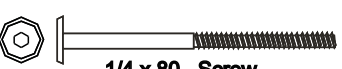


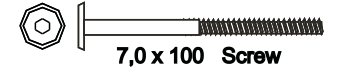
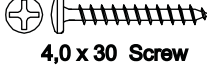

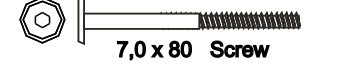

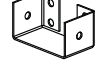
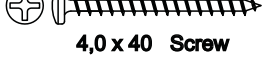


IMPORTANT:

PLEASE READ INSTRUCTION BEFORE STARTING THE ASSEMBLY

Part List - 2012 TWIN FULL LOUVER BUNK BED

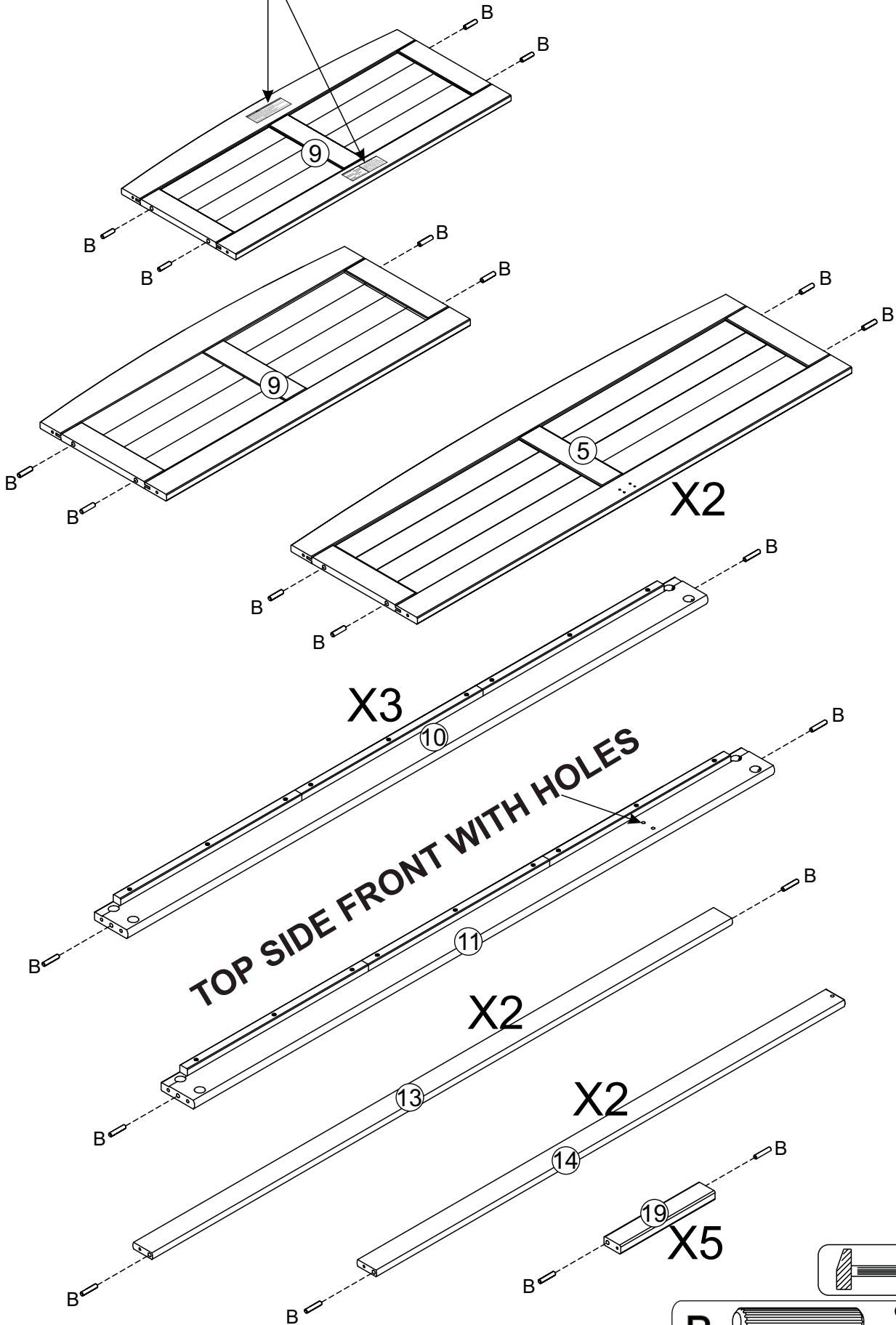



Identifying the Hardware-Identify the hardware using the illustrations below.

A  Qty 04 15 x 100 Wood Dowel	B  Qty 40 10 x 40 Wood Dowel	C  Qty 14 7,0 x 50 Screw
D  Qty 16 1/4 x 80 Screw	E  Qty 16 1/4" Half Moon	F  Qty 02 Hook Ladder
G  Qty 16 7,0 x 100 Screw	H  Qty 33 4,0 x 30 Screw	I  Qty 24 3,5 x 20 Screw
J  Qty 06 7,0 x 80 Screw	K  Qty 01 Hex Screwdriver	L  Qty 02
M  Qty 01 4,0 x 40 Screw	N  Qty 02 Protector	O  Qty 02

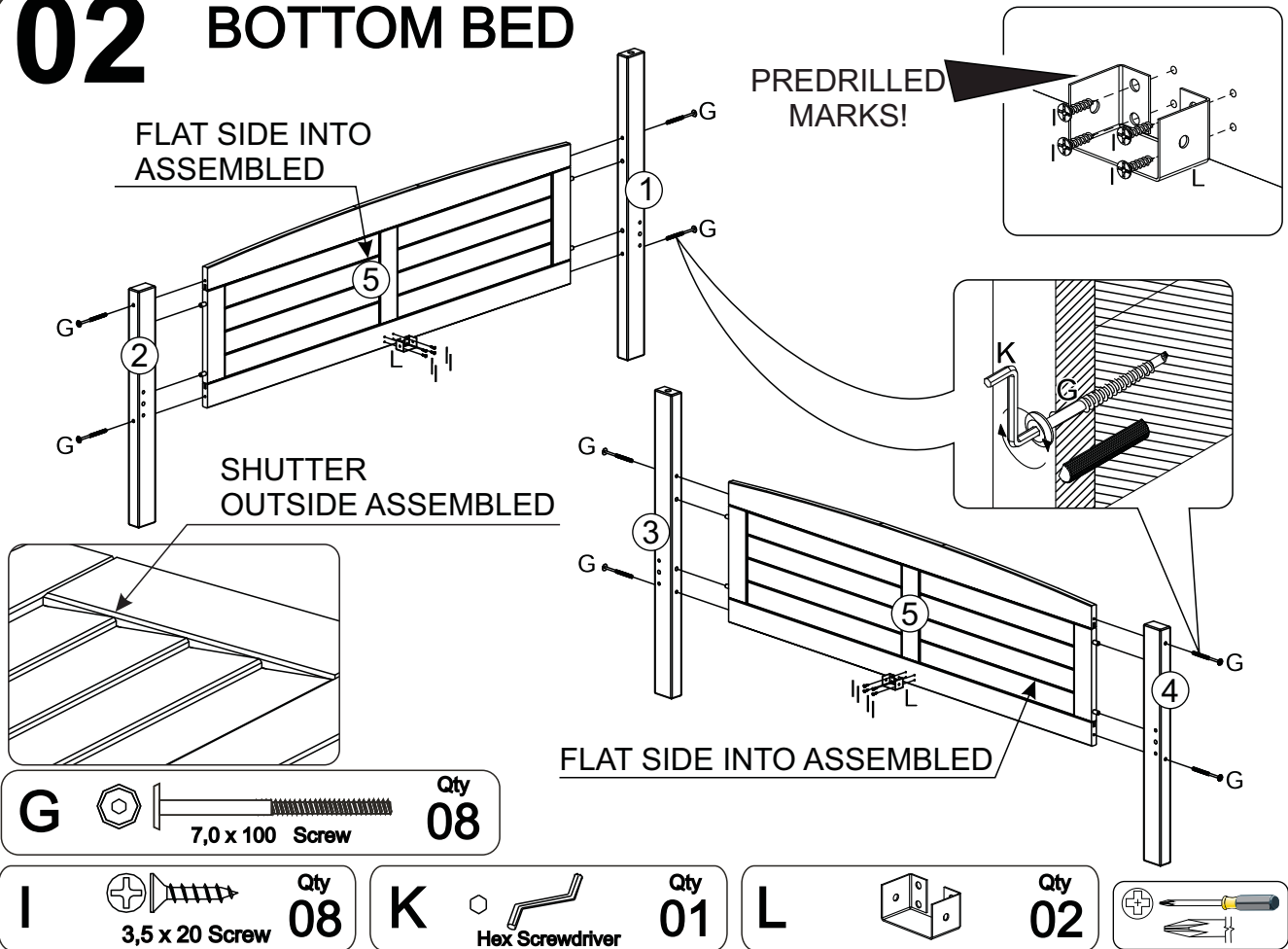
01

WARNING LABELS

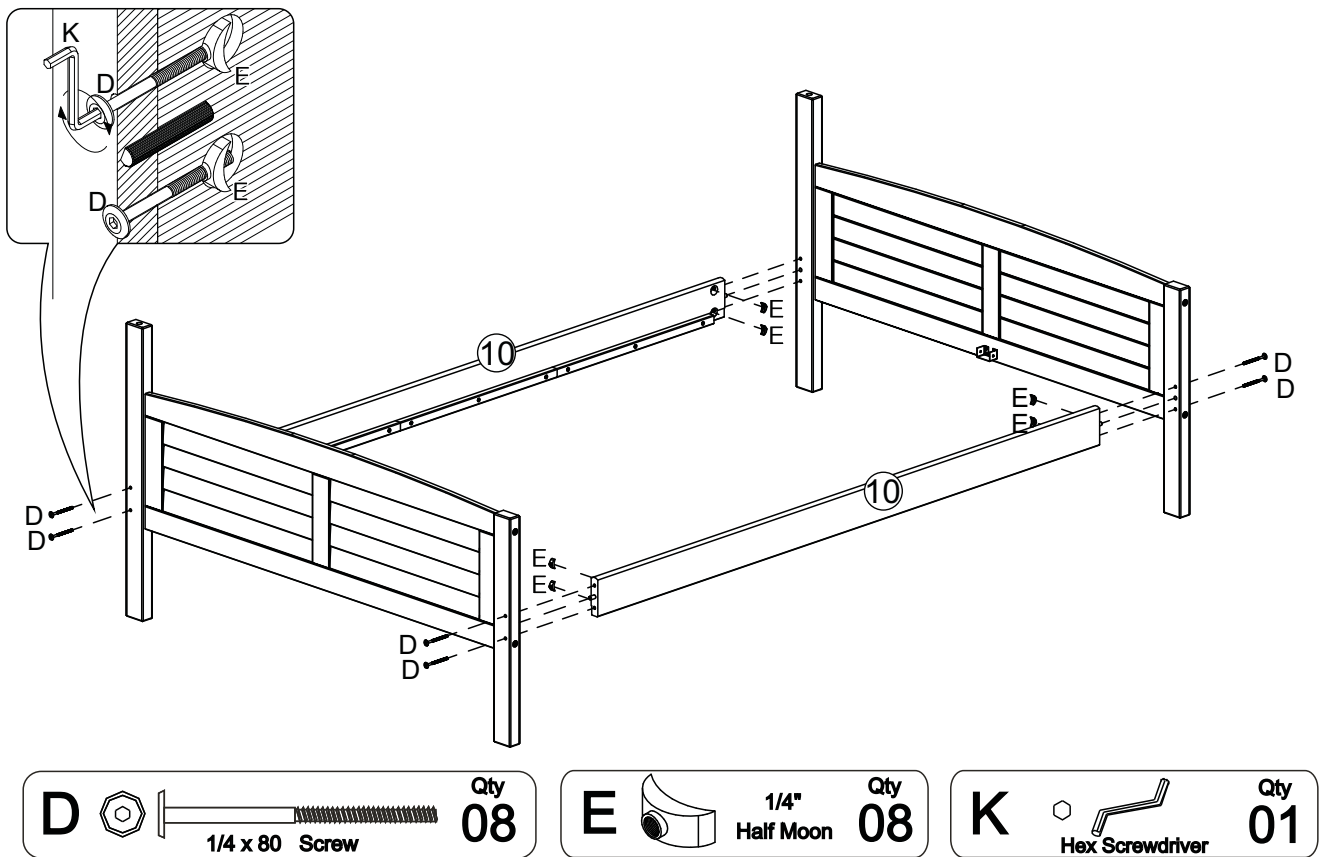


B  Qty **40**
10 x 40 Wood Dowel

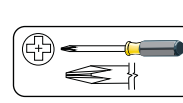
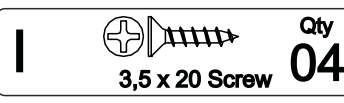
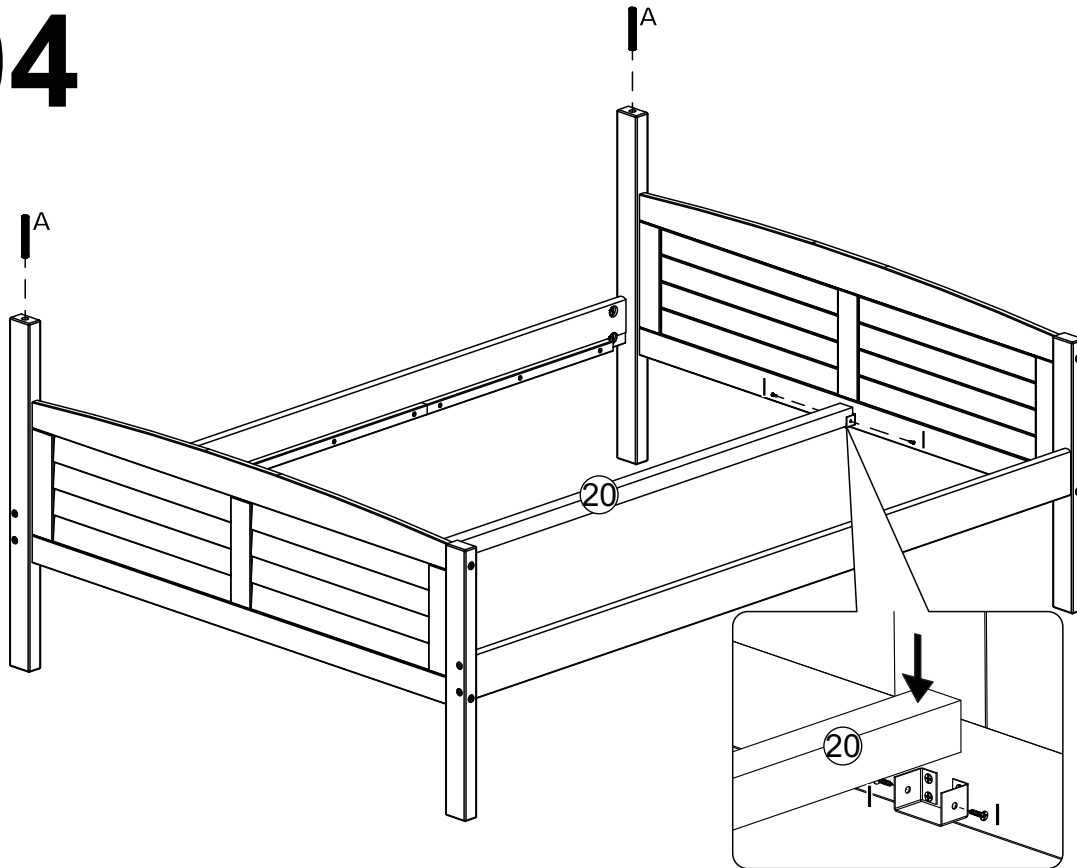
02 BOTTOM BED



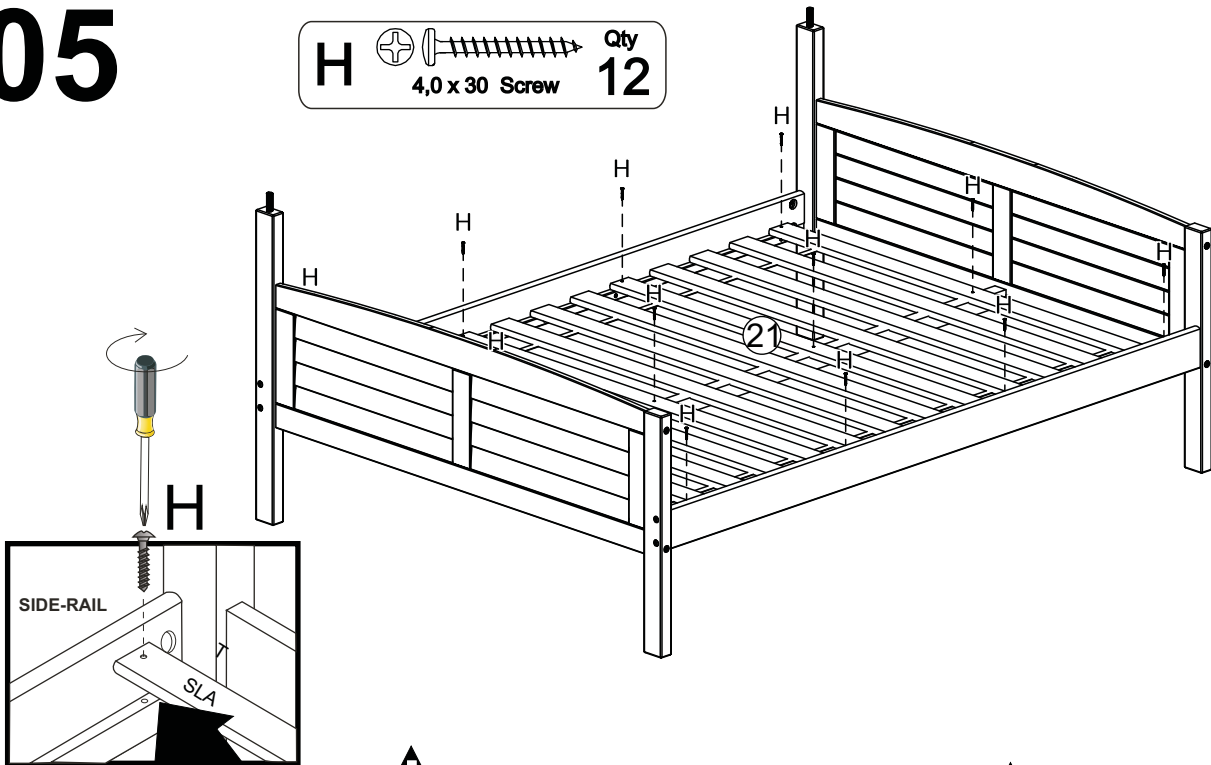
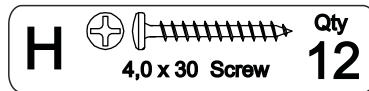
03



04



05

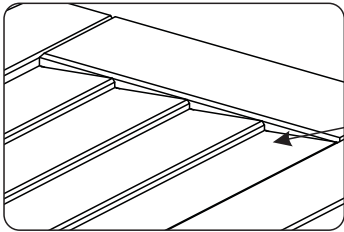
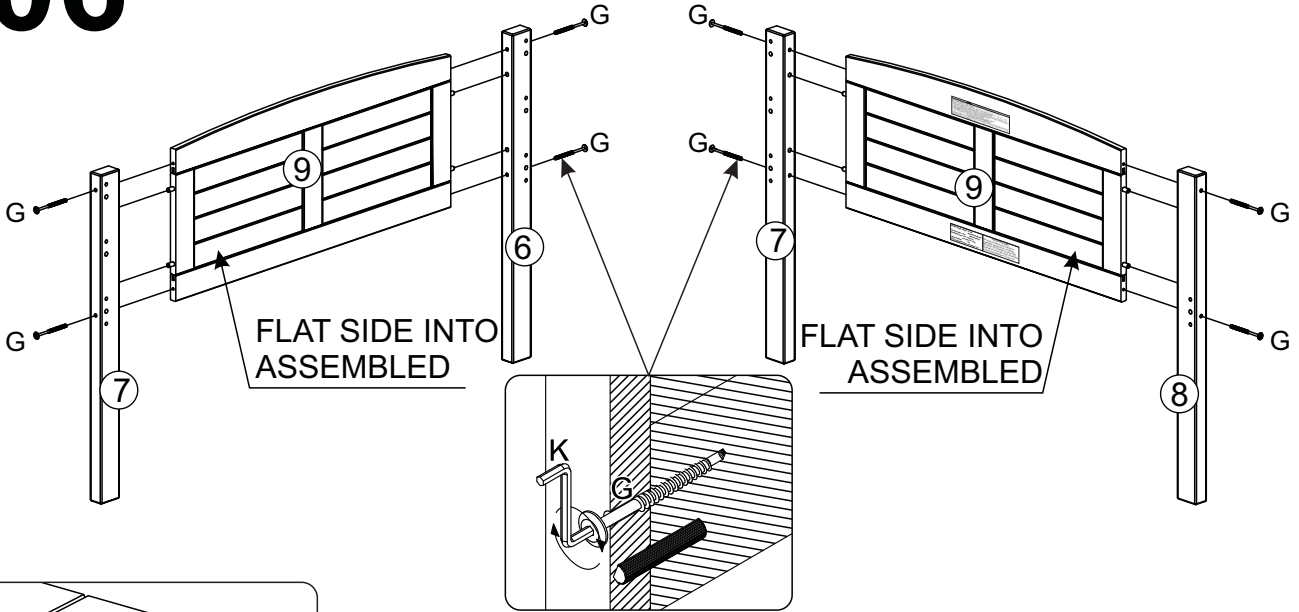


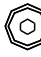
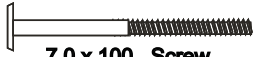
!
The first slats must be fixed at 3" from each headboard end.

!
"INSTALL SLAT KIT WITH SPACER TAPE ON TOP (FACING UP)"

06

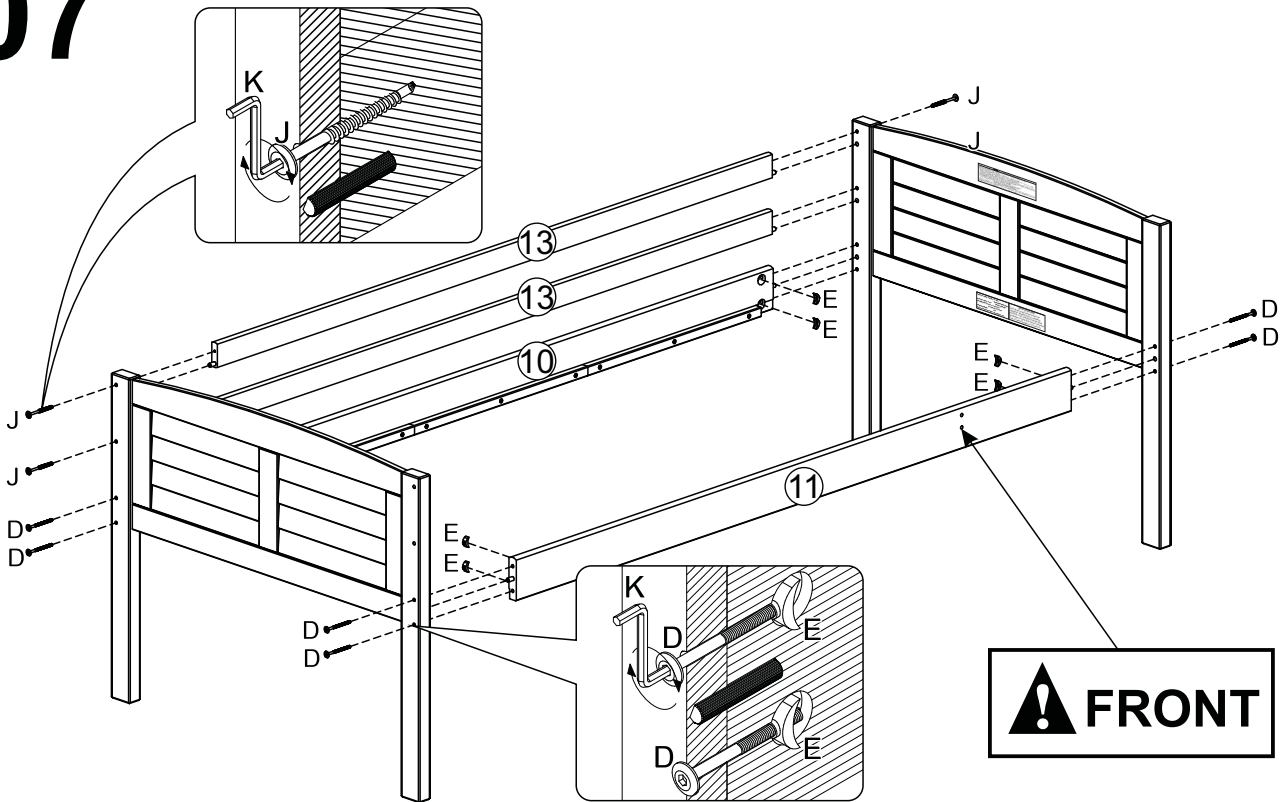
TOP BED



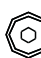

G   **Qty 08**
7,0 x 100 Screw

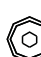
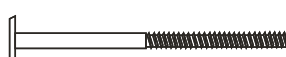
K  **Qty 01**
Hex Screwdriver

07



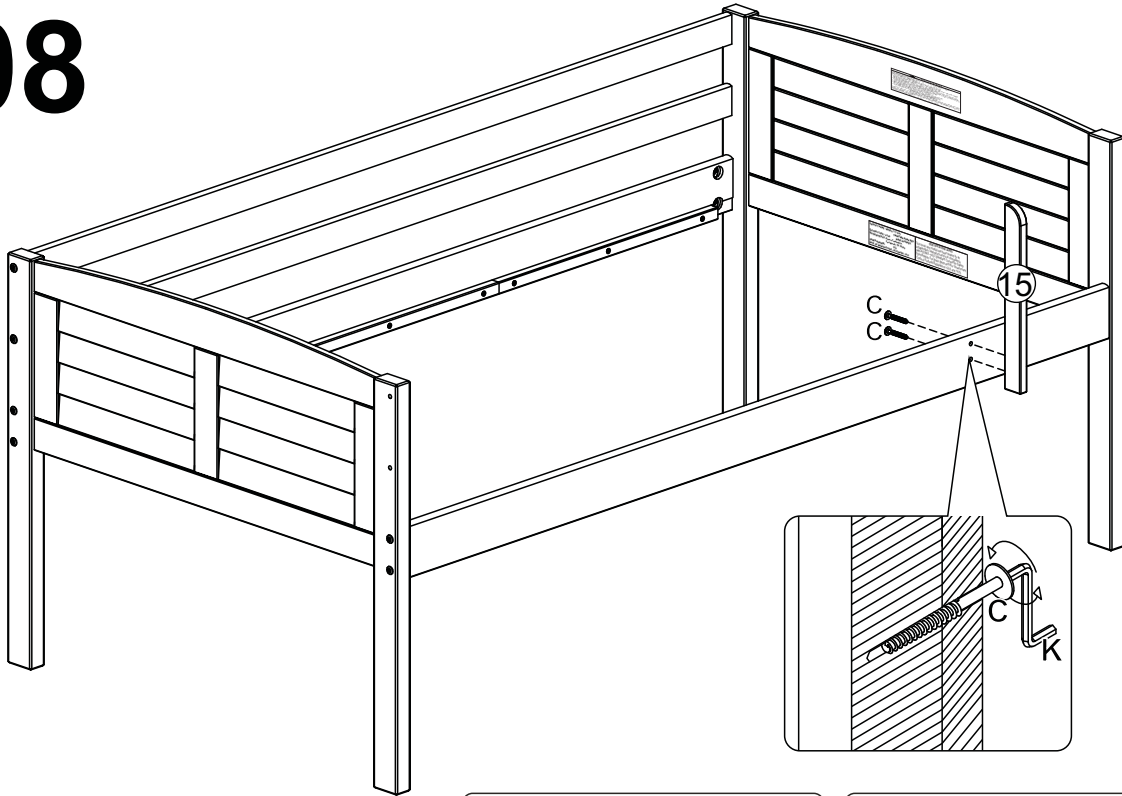
E  **1/4" Half Moon Qty 08**

J   **Qty 04**
7,0 x 80 Screw

D   **Qty 08**
1/4 x 80 Screw

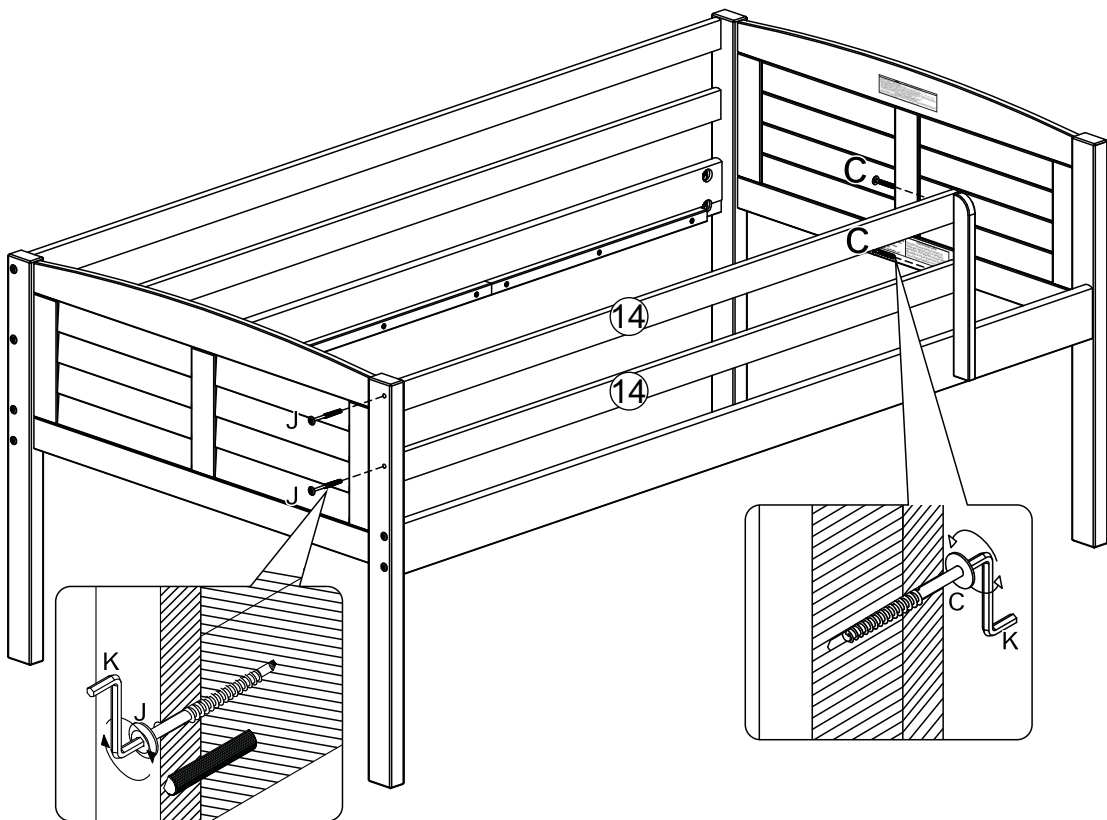
K  **Qty 01**
Hex Screwdriver

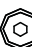

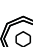
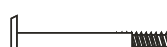

08



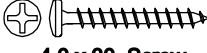
C 		Qty 02	K 	Qty 01
	7,0 x 50 Screw		Hex Screwdriver	

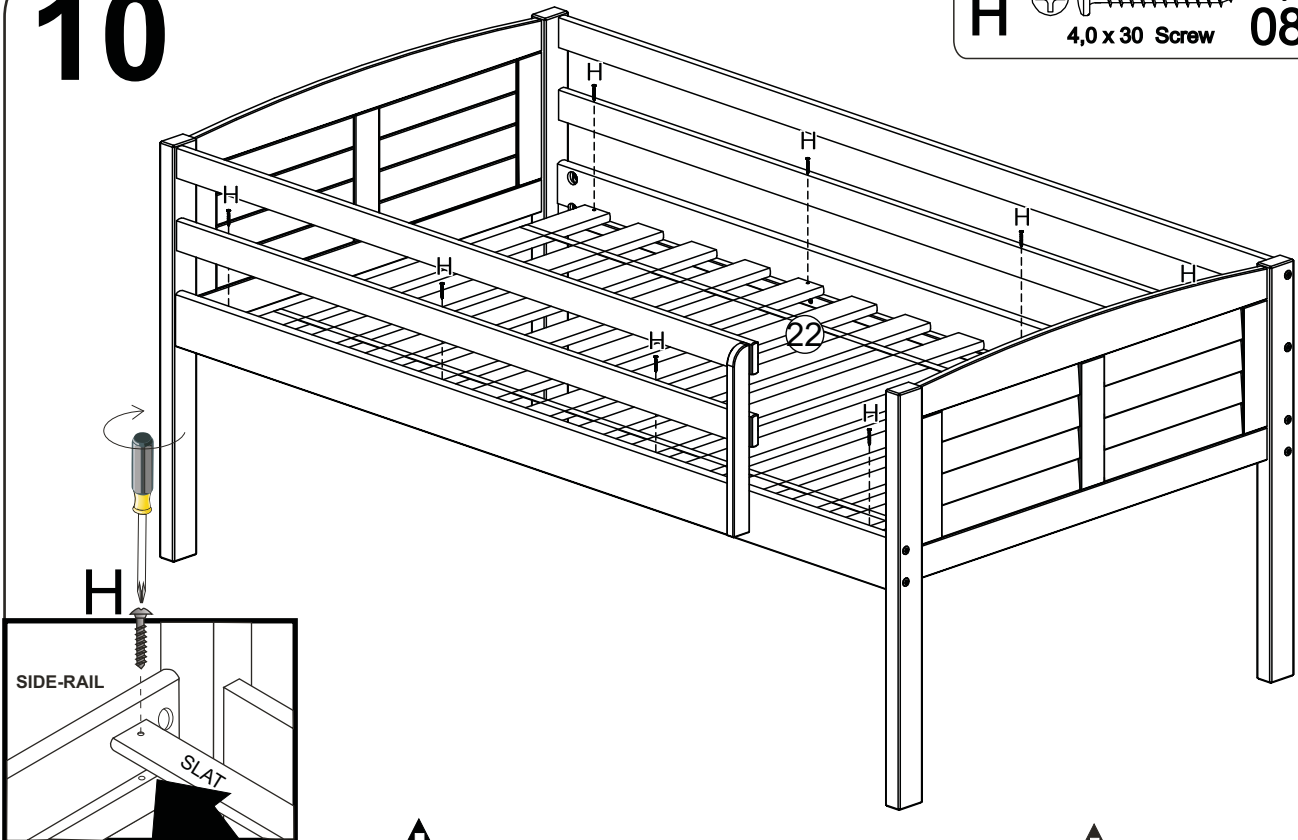
09



C 		Qty 02	J 		Qty 02	K 	Qty 01
	7,0 x 50 Screw			7,0 x 80 Screw		Hex Screwdriver	

10

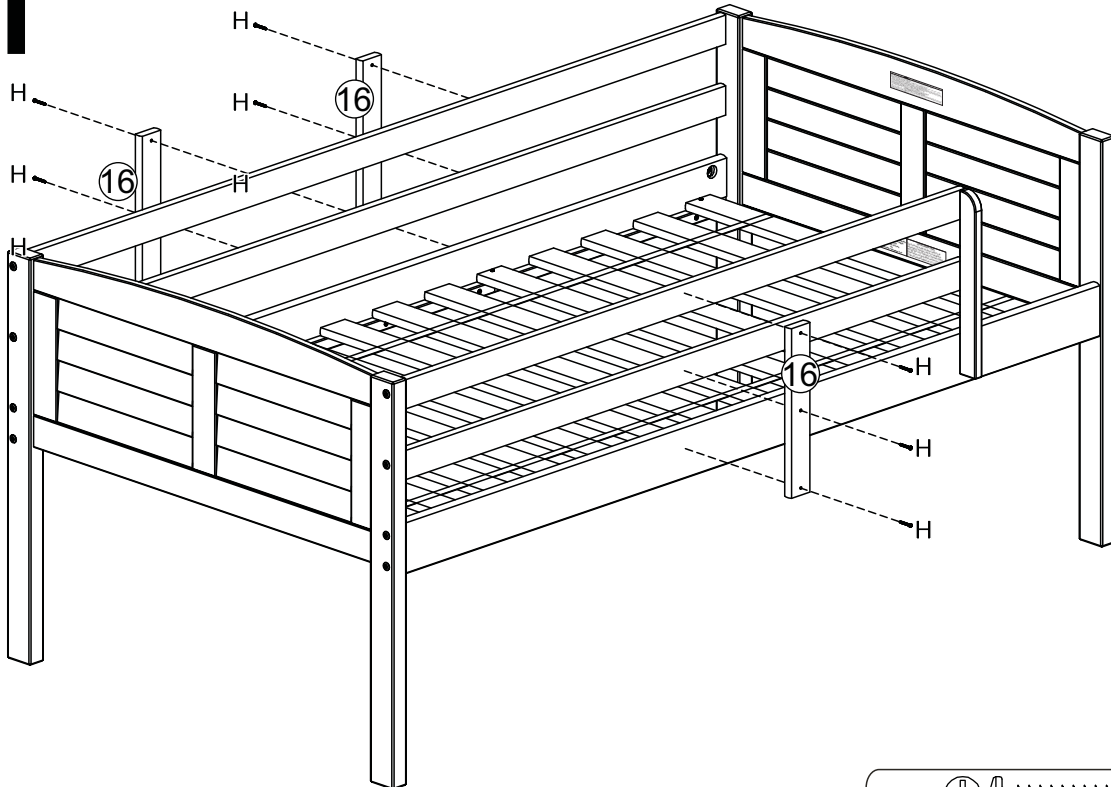
H  Qty **08**
4,0 x 30 Screw

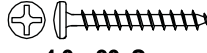


The first slats must be fixed at 3" from each headboard end.

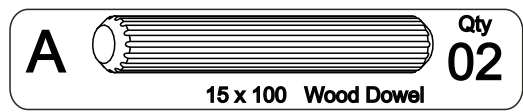
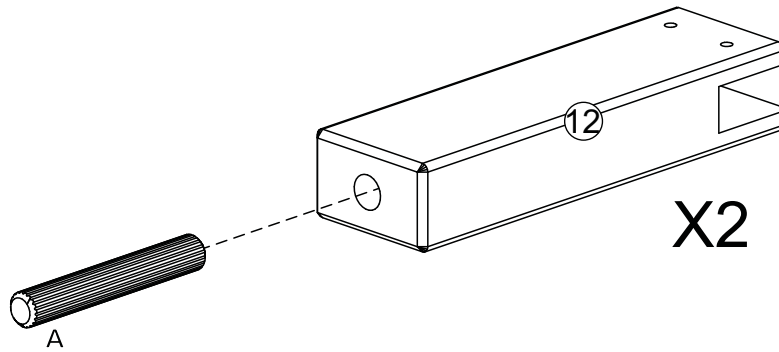
"INSTALL SLAT KIT WITH SPACER TAPE ON TOP (FACING UP)"

11

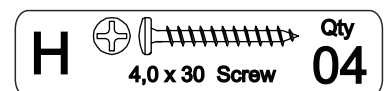
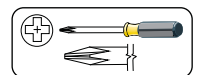
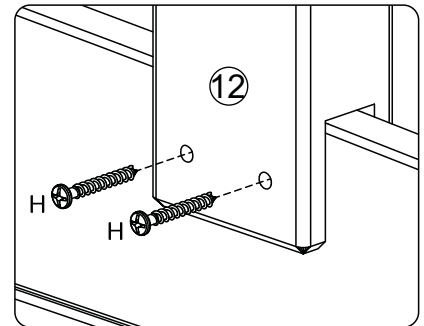
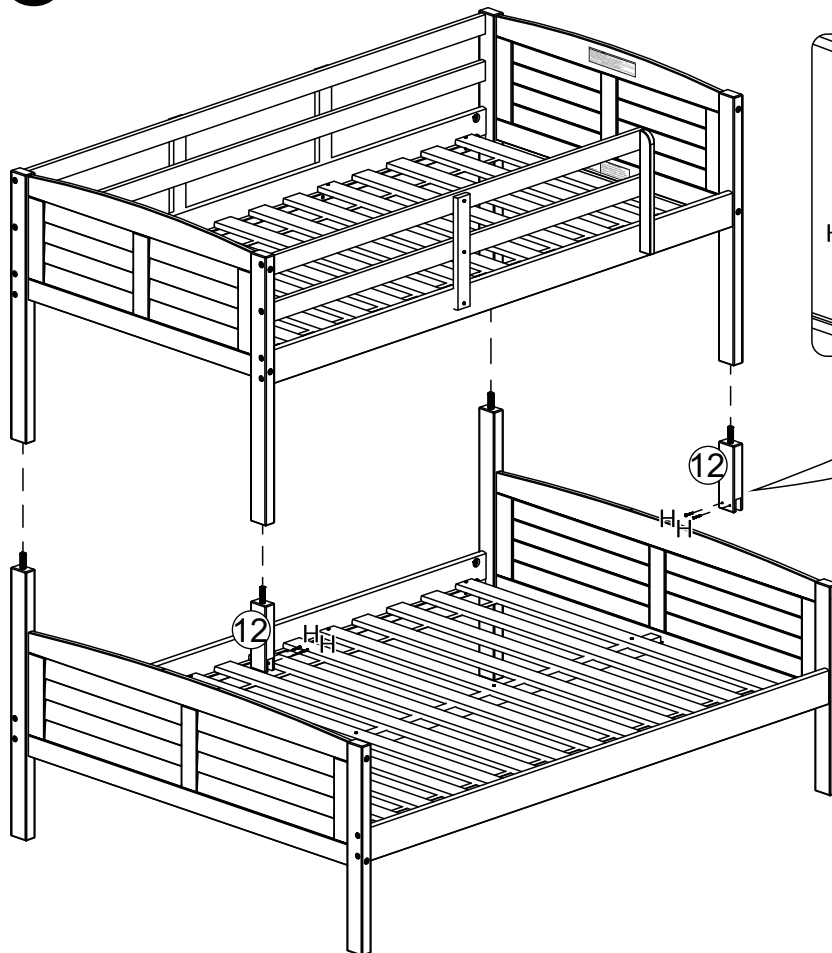


H  Qty **09**
4,0 x 30 Screw

12

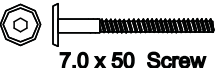


13

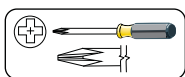
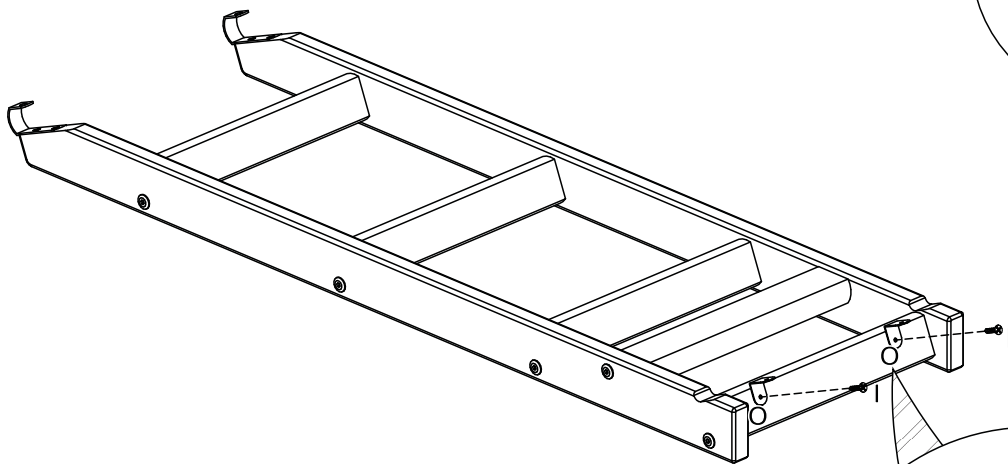
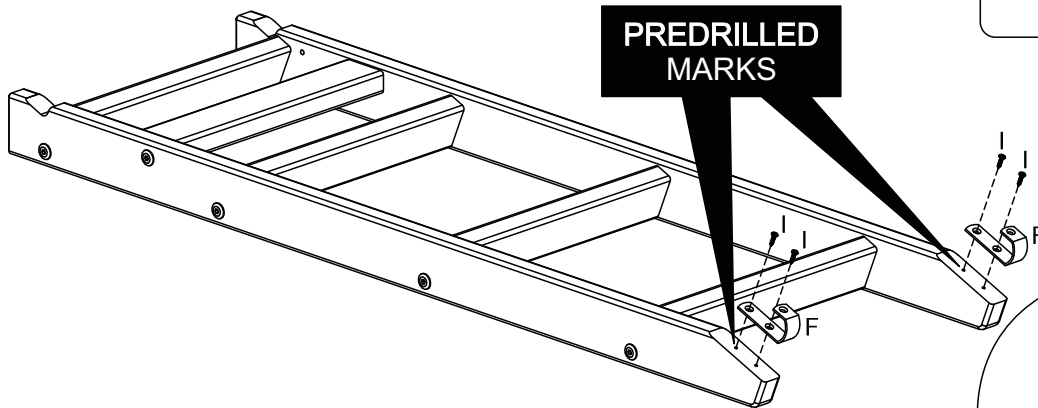
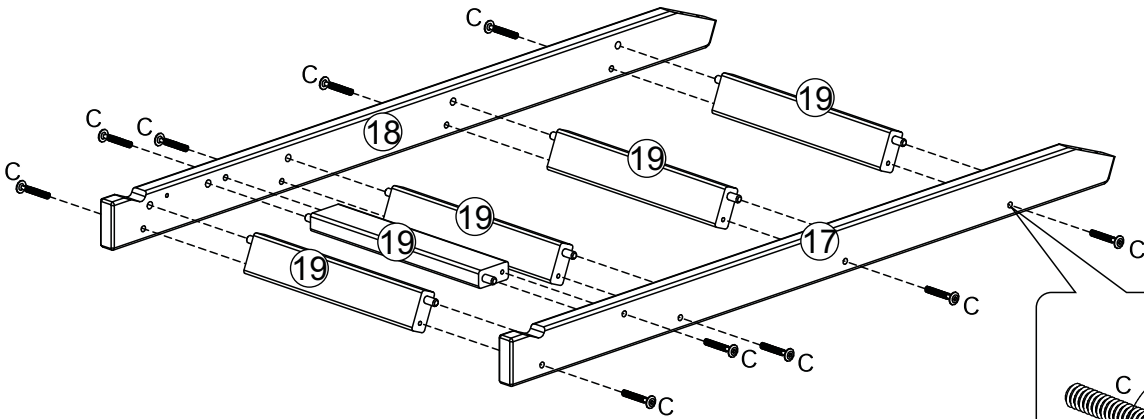



14

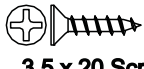
LADDER


C  Qty **10**


K  Qty **01**

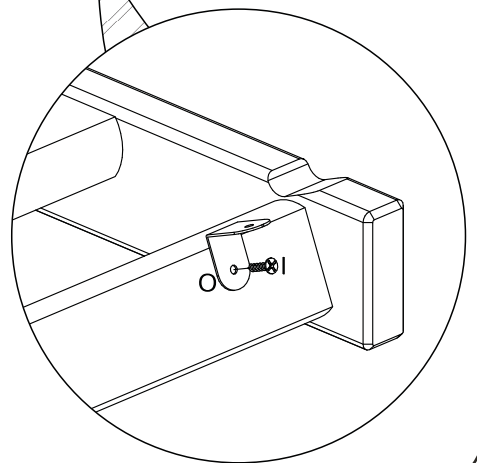


F  Qty **02**
Hook Ladder

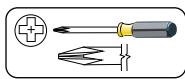
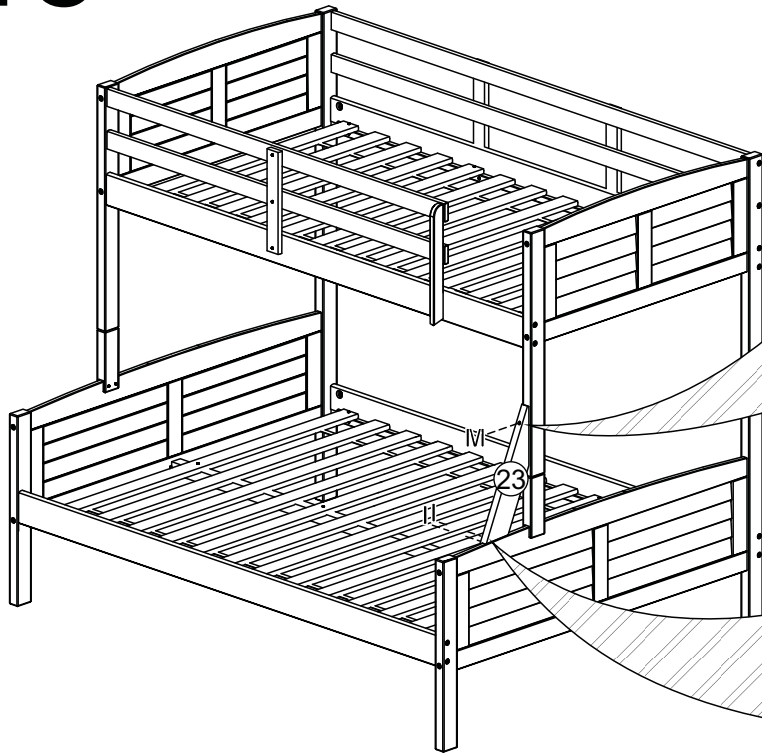
I  Qty **06**
3,5 x 20 Screw

N  Qty **02**
Protector

O  Qty **02**



15



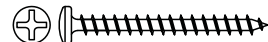
I



3,5 x 20 Screw

Qty 02

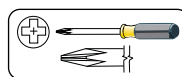
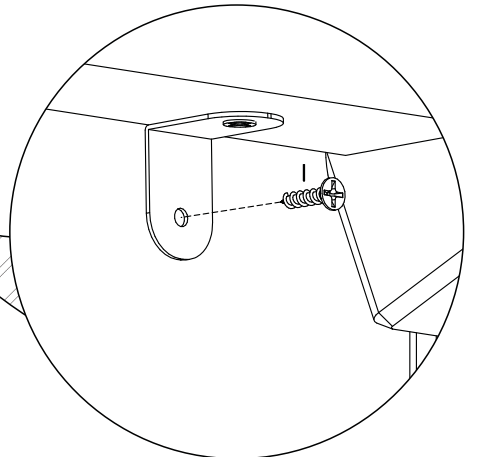
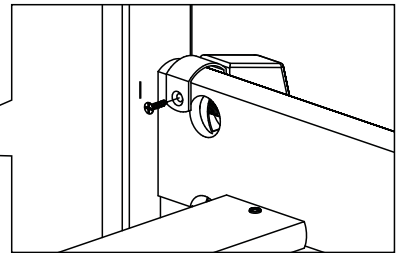
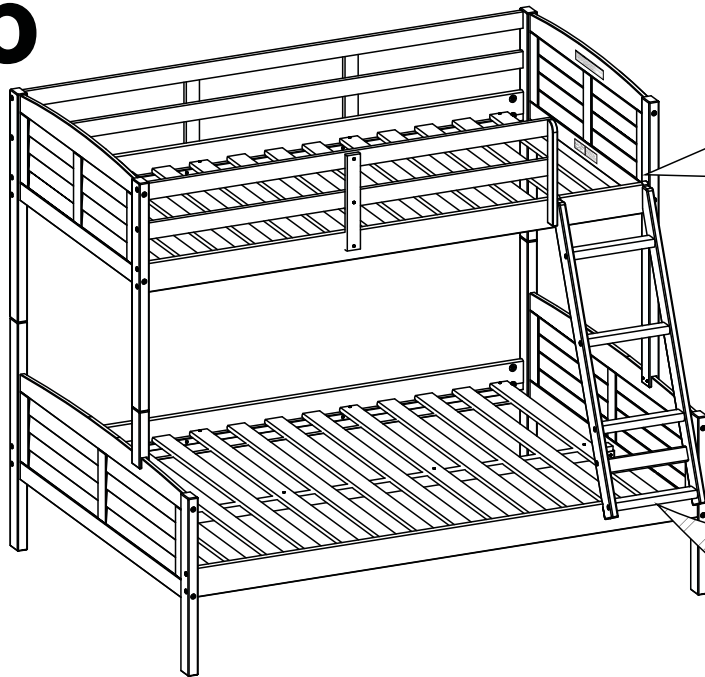
M



4,0 x 40 Screw

Qty 01

16



I



3,5 x 20 Screw

Qty 04