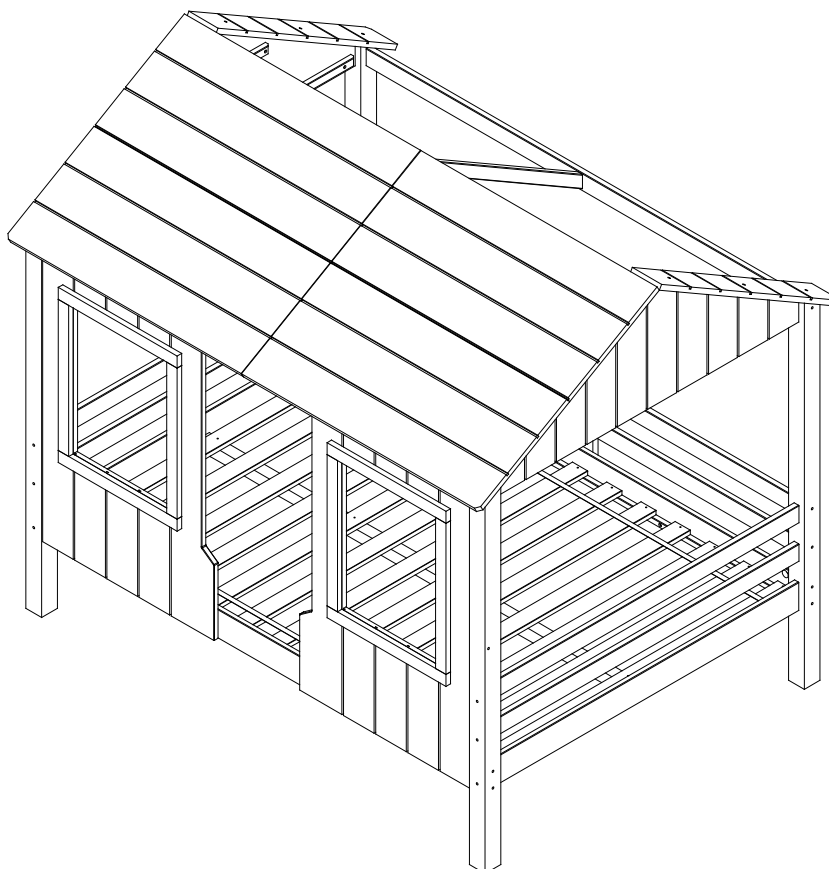


Fort Worth, Texas 76140

ASSEMBLY INSTRUCTIONS

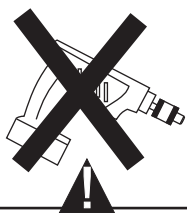
2018 - FULL HOUSE LOFT BED



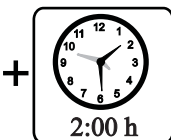
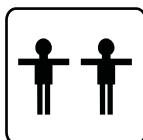
Thank you for purchasing this quality product. Be sure to check all packing material carefully for small parts which may have come loose inside the carton during shipment. Separate, identify and count all parts and hardware.

Compare with the parts list to be sure all parts are present.

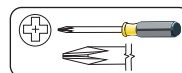
"DO NOT TIGHTEN SCREWS UNTIL COMPLETELY ASSEMBLED"



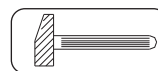
* Use of power tool to assemble this product will invalidate any claim and damage this product making unsafe !!!
* Please assemble on a clean soft surface to avoid damage.



Tools Required



(Not included)



(Not included)

IMPORTANT:

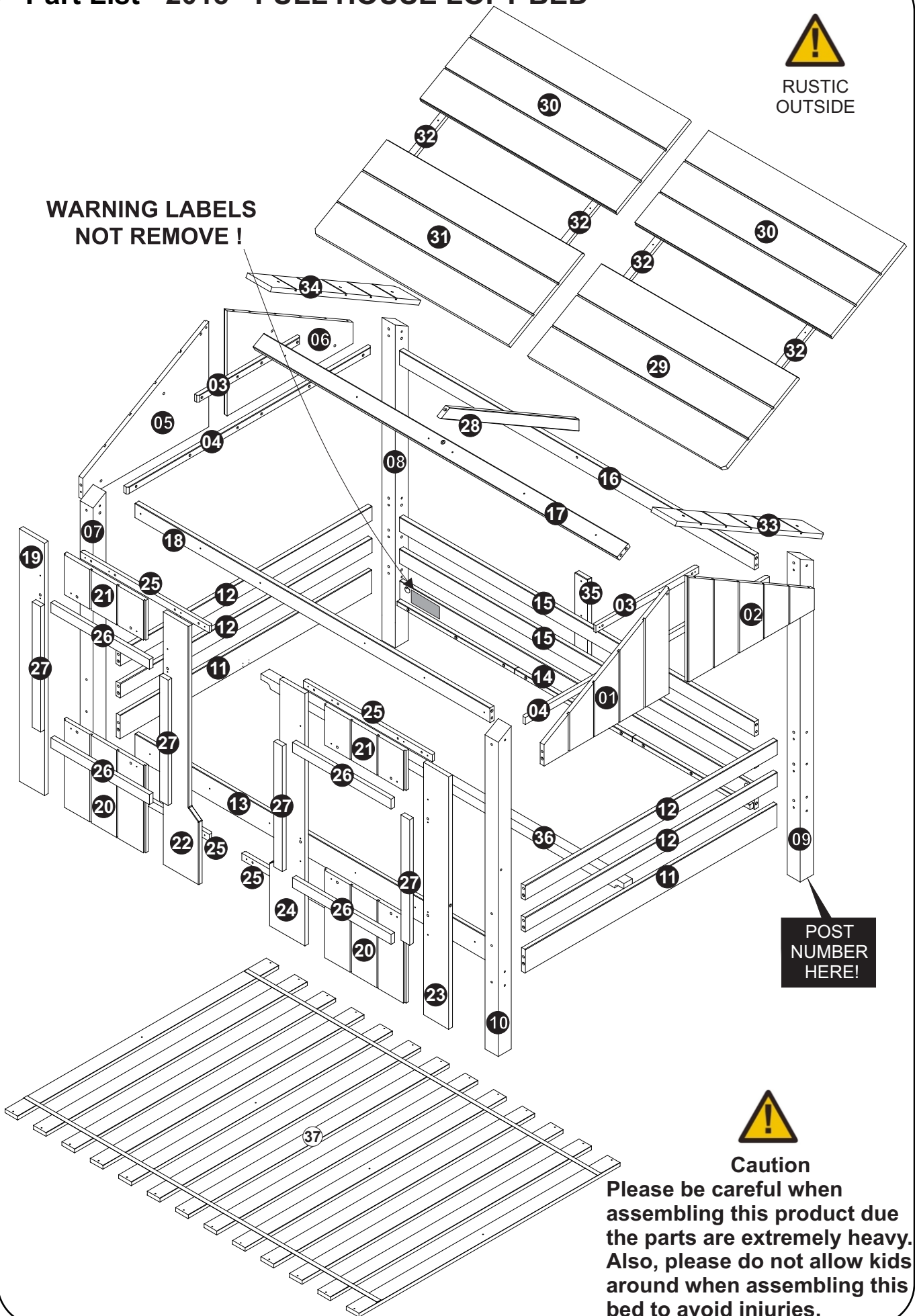
PLEASE READ INSTRUCTION BEFORE STARTING THE ASSEMBLY

Part List - 2018 - FULL HOUSE LOFT BED



RUSTIC
OUTSIDE






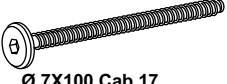




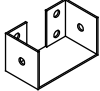


WARNING LABELS
NOT REMOVE !



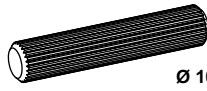

Caution

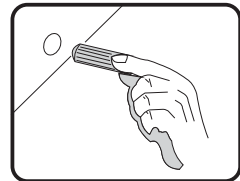
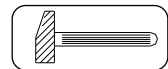
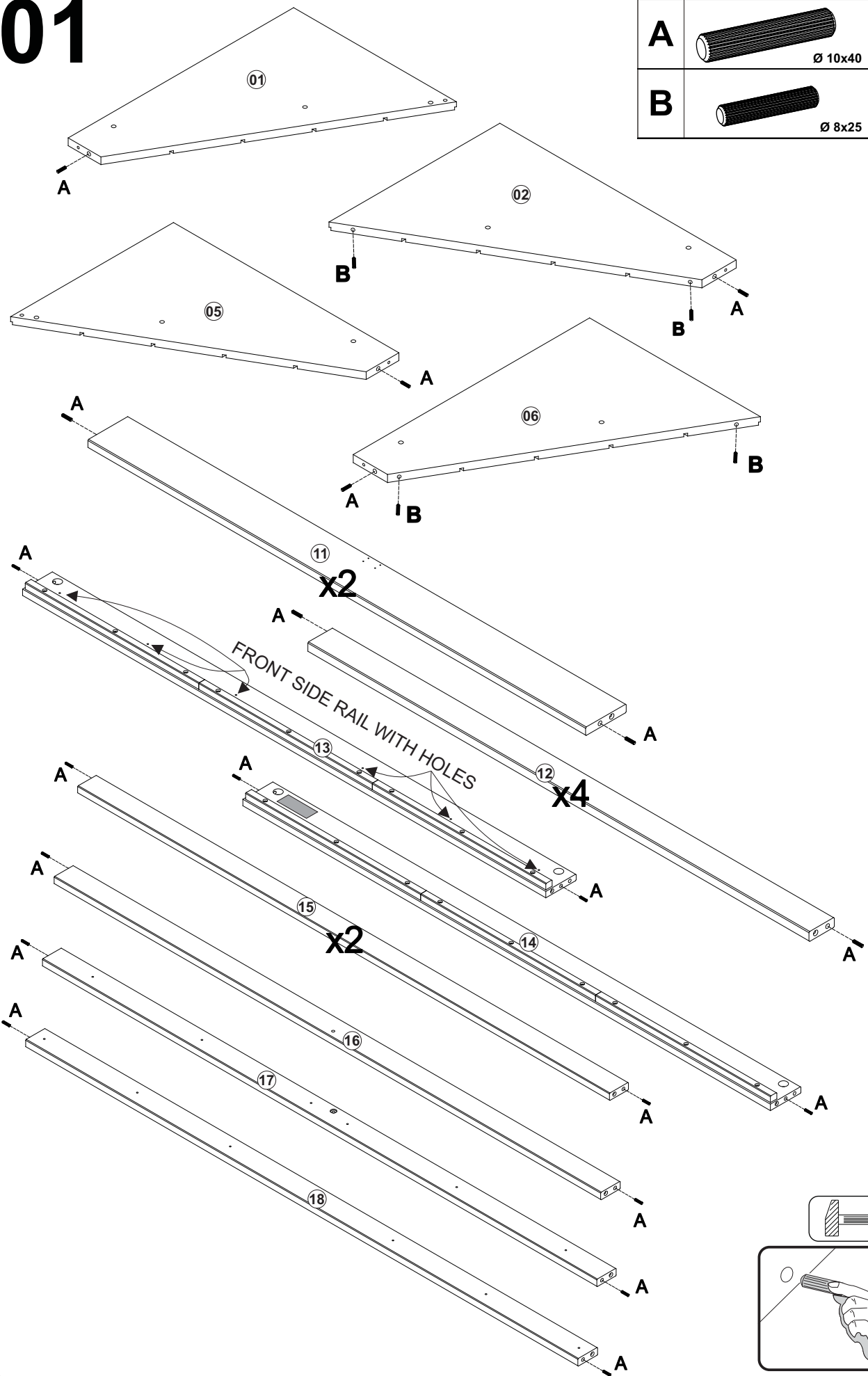
Please be careful when assembling this product due the parts are extremely heavy. Also, please do not allow kids around when assembling this bed to avoid injuries.

Identifying the Hardware-Identify the hardware using the illustrations below.


A	 <p>Ø 10x40</p>	30
B	 <p>Ø 8x25</p>	52
C	 <p>Ø 3,5X16</p>	20
D	 <p>Ø 4X30</p>	52
E	 <p>Ø 1/4X110 Cab 17</p>	04
F	 <p>Ø 7X100 Cab 17</p>	30
G		04
H		02
I	 <p>Ø 7X50 Cab 17</p>	04
J	 <p>Ø 4X35</p>	30
K		02
L	 <p>Ø 4X35</p>	59
M		04

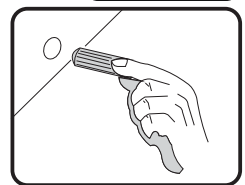
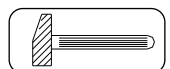
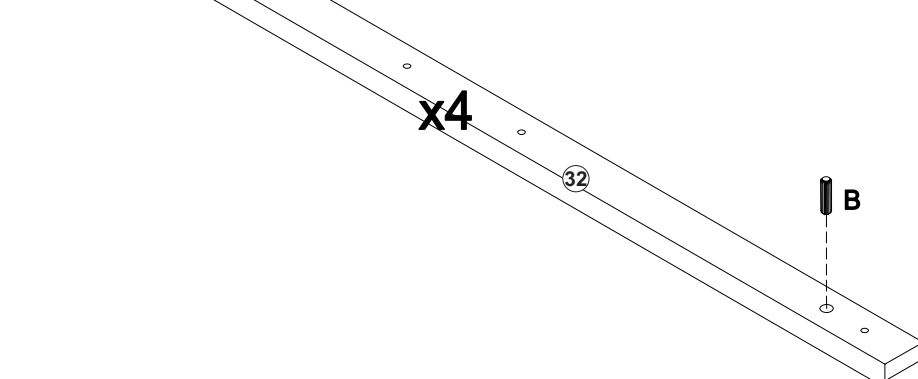
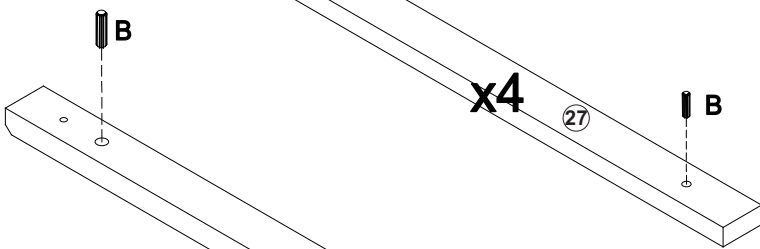
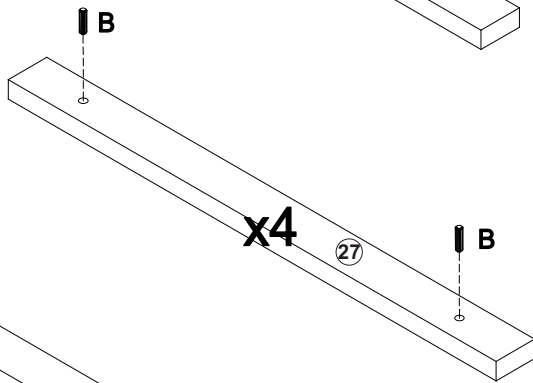
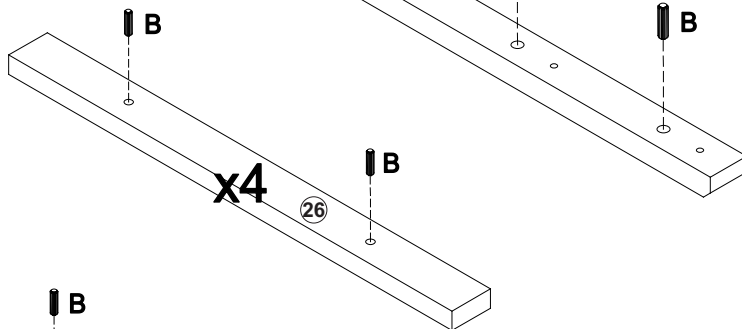
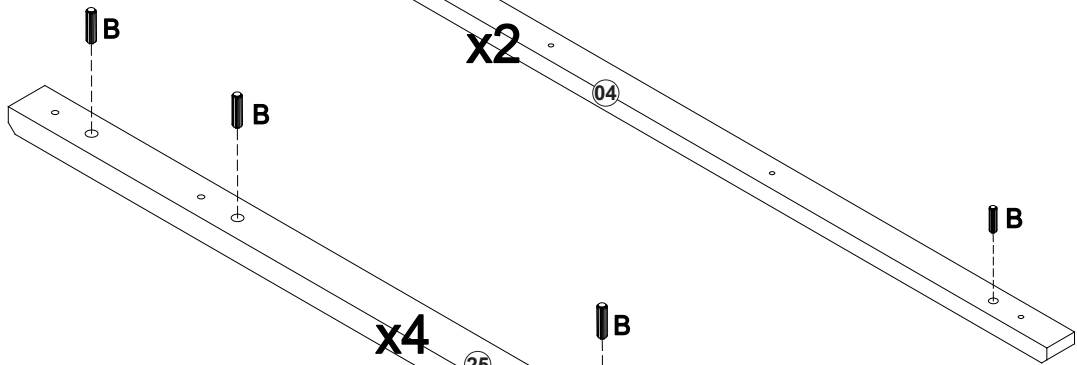
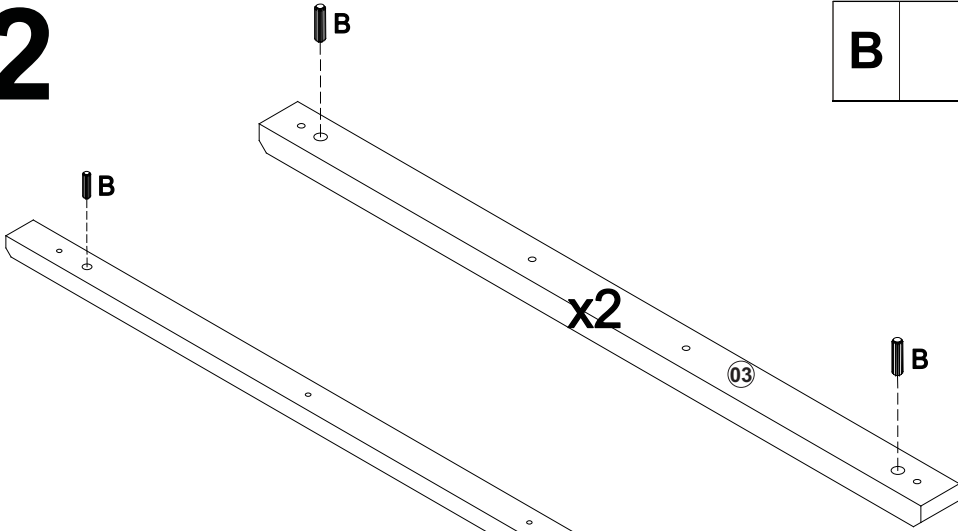
01

A	 Ø 10x40	30
B	 Ø 8x25	04

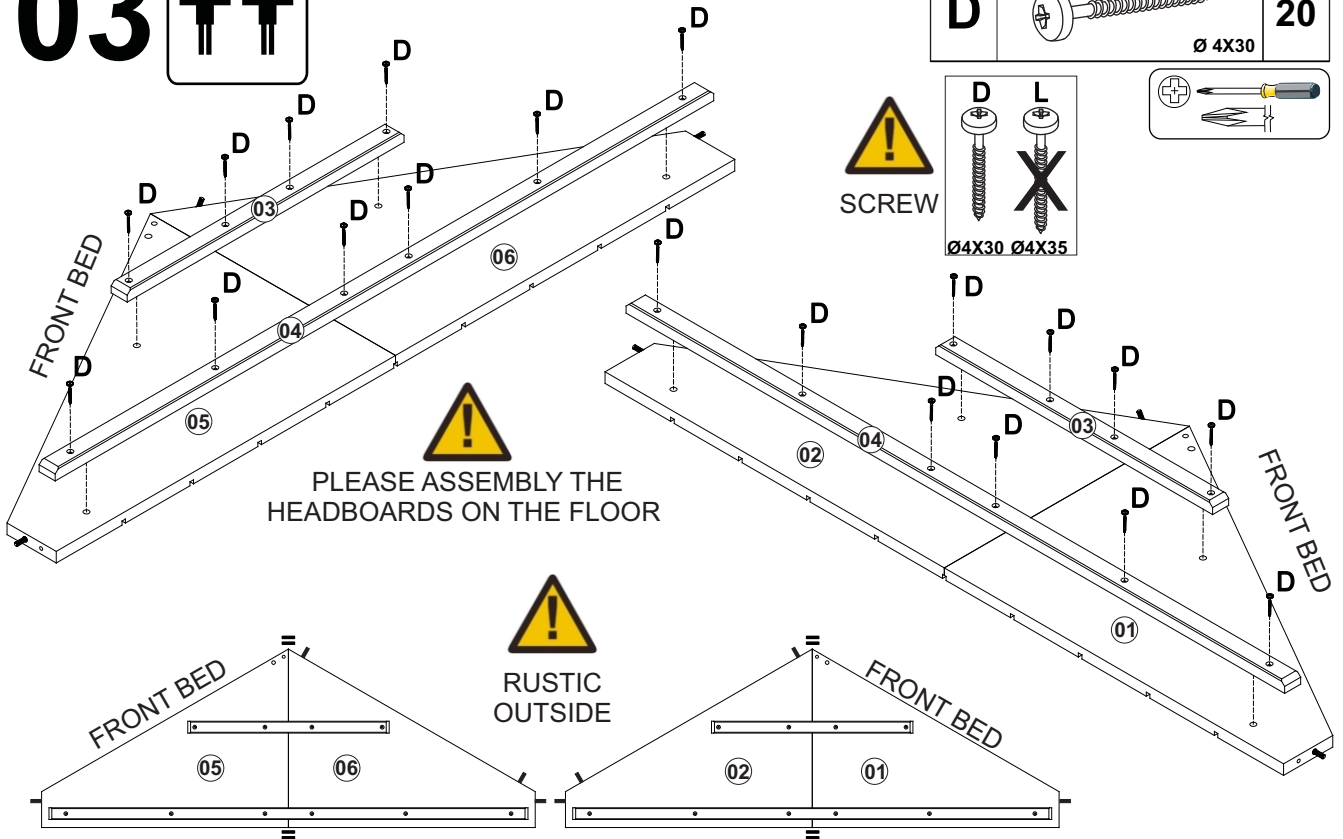


02

B	 Ø 8x25	48
----------	---	-----------



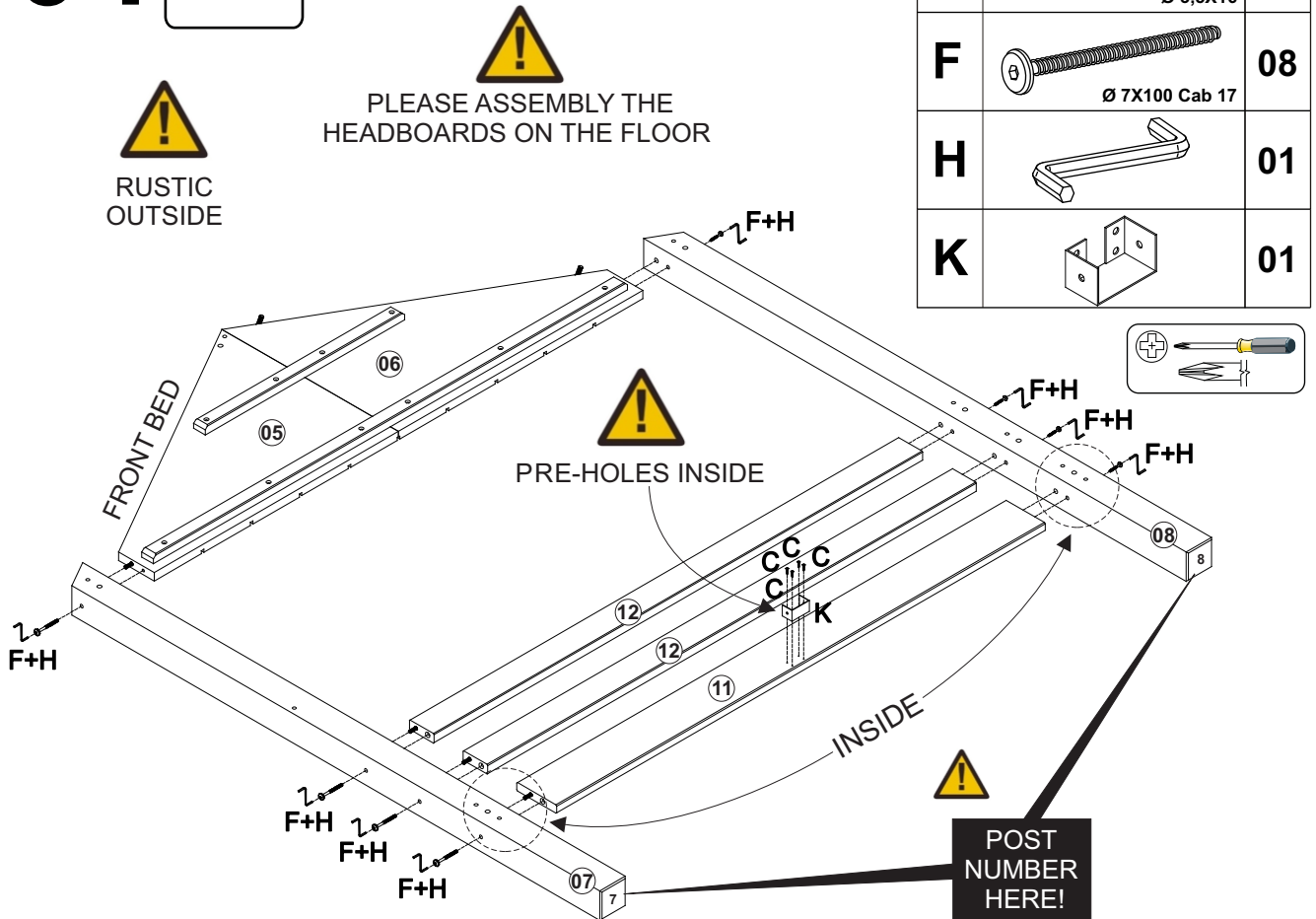
03



04



LEFT HEADBOARD



05



RIGHT HEADBOARD



PLEASE ASSEMBLY THE HEADBOARDS ON THE FLOOR



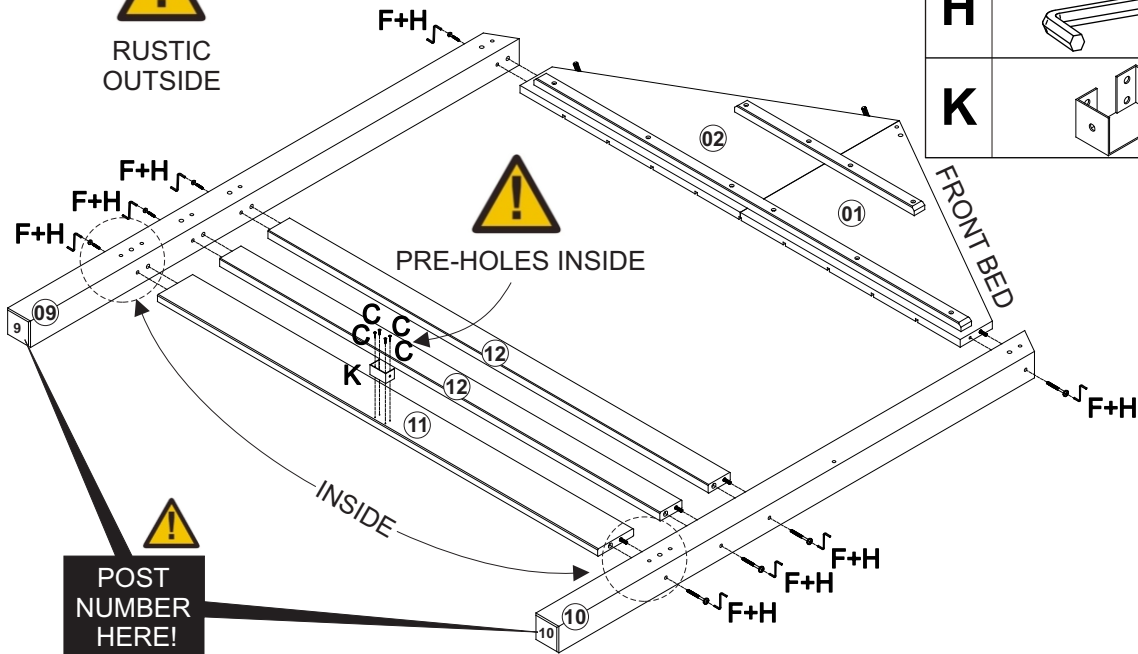
RUSTIC OUTSIDE



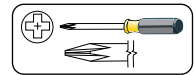
PRE-HOLES INSIDE



POST NUMBER HERE!



C		04
F		08
H		01
K		01

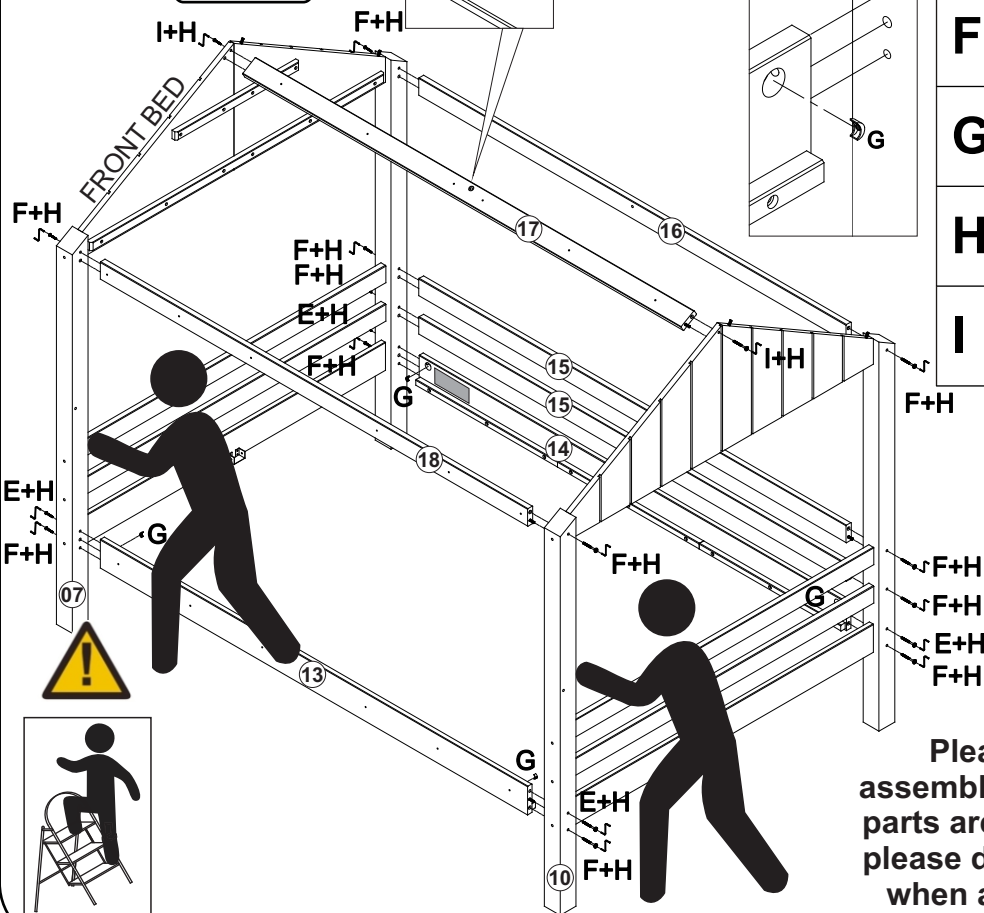


06



ATTENTION: COUNTERSINK ON TOP

E		04
F		12
G		04
H		01
I		02

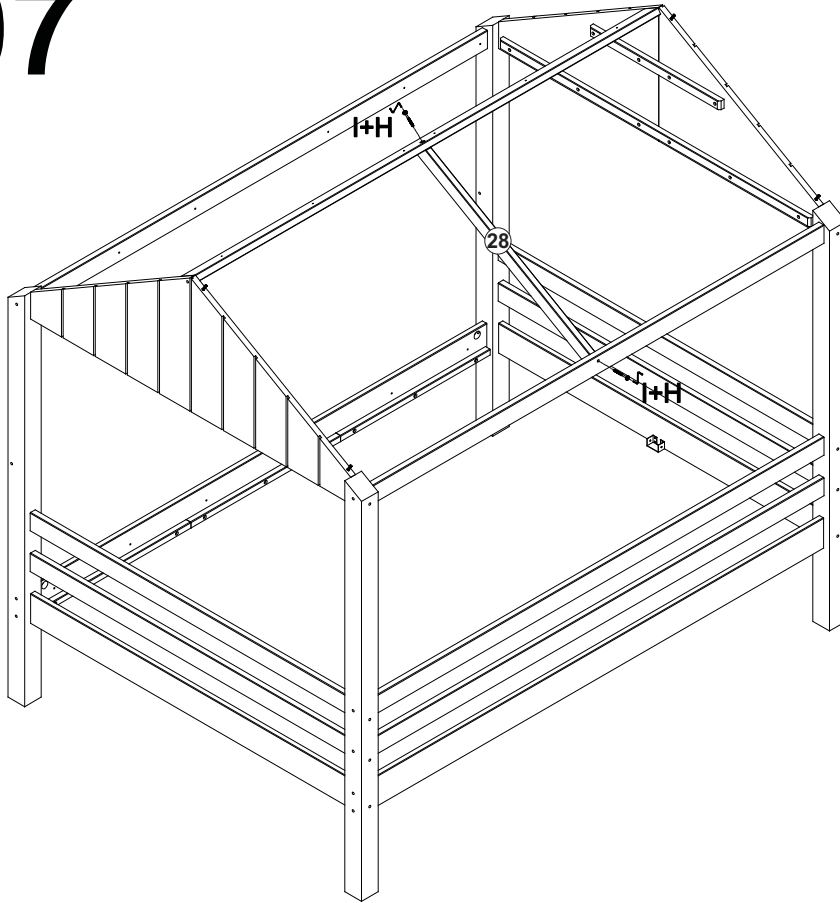


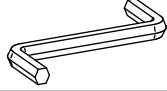
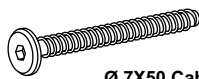
Caution

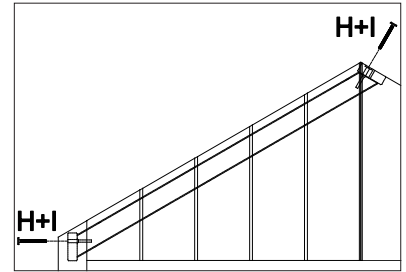


Please be careful when assembling this product due the parts are extremely heavy. Also, please do not allow kids around when assembling this bed to avoid injuries.

07




H		01
I	 Ø 7X50 Cab 17	02

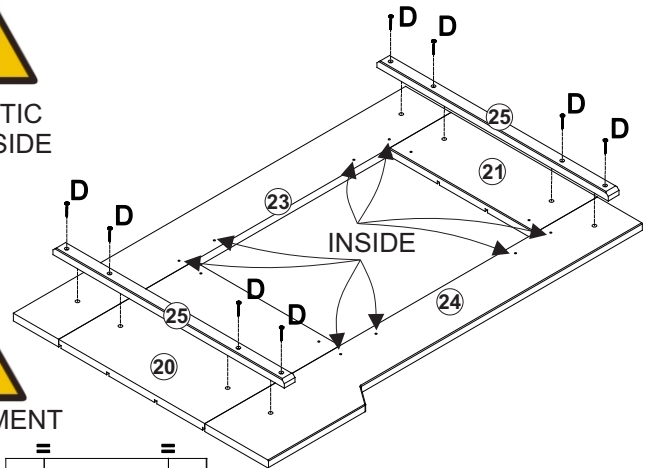
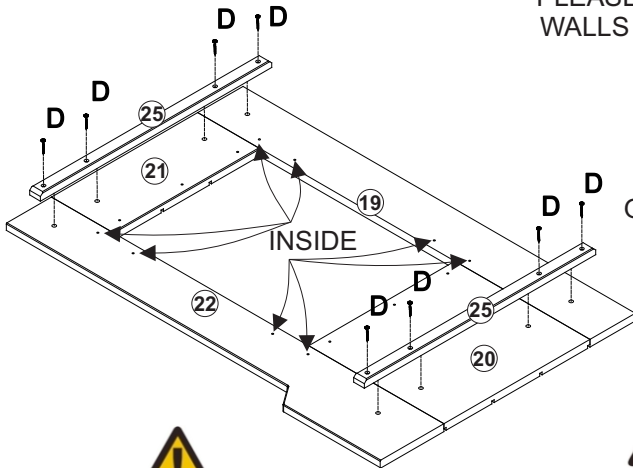
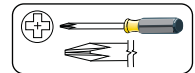


08

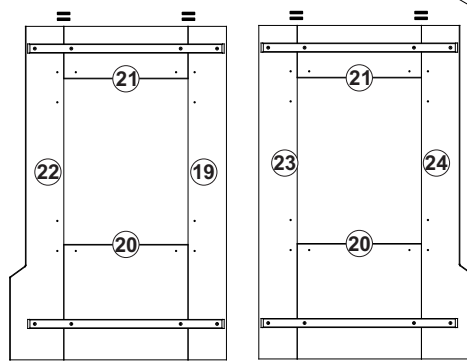
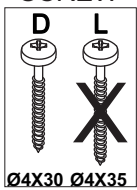


PLEASE ASSEMBLY THE WALLS ON THE FLOOR

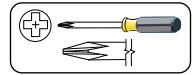
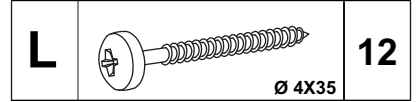
D	 Ø 4X30	16
----------	---	-----------



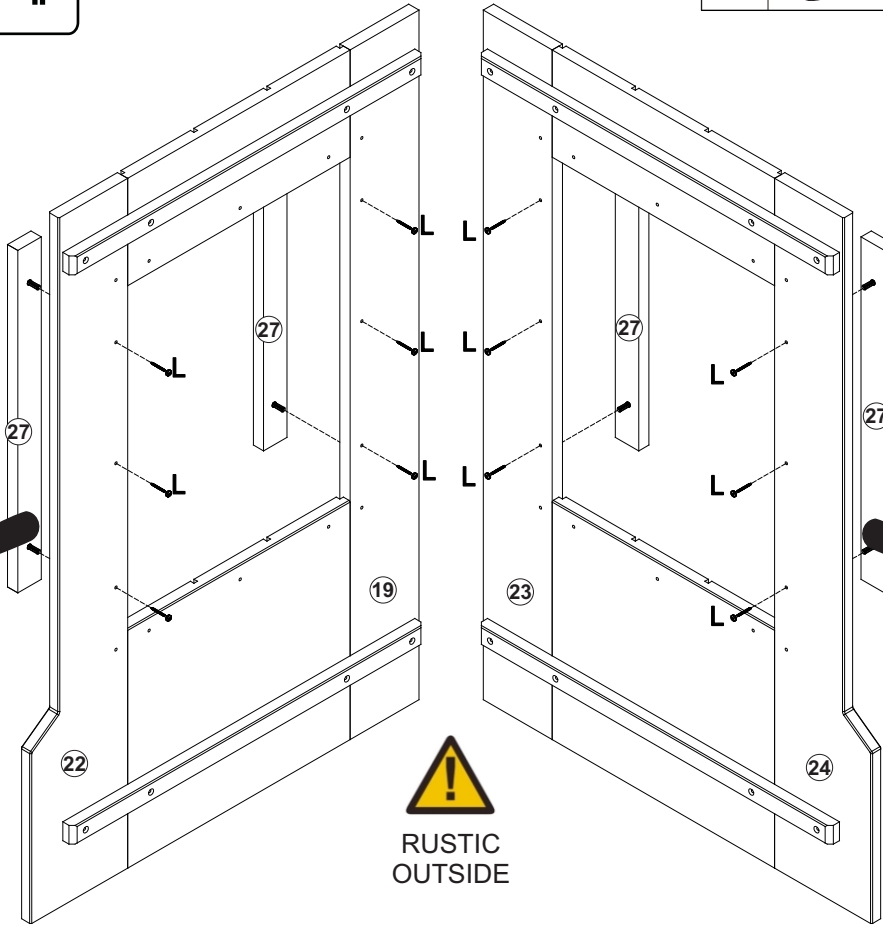
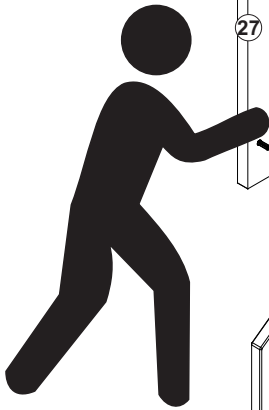
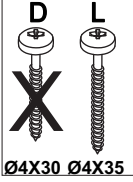
SCREW



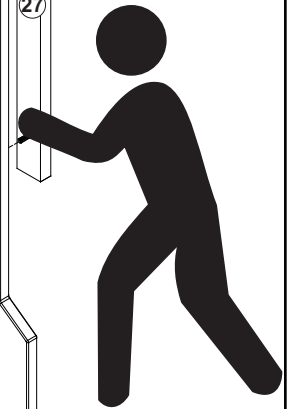
09



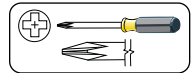
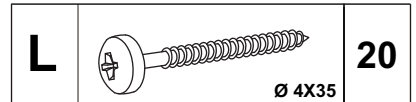
SCREW



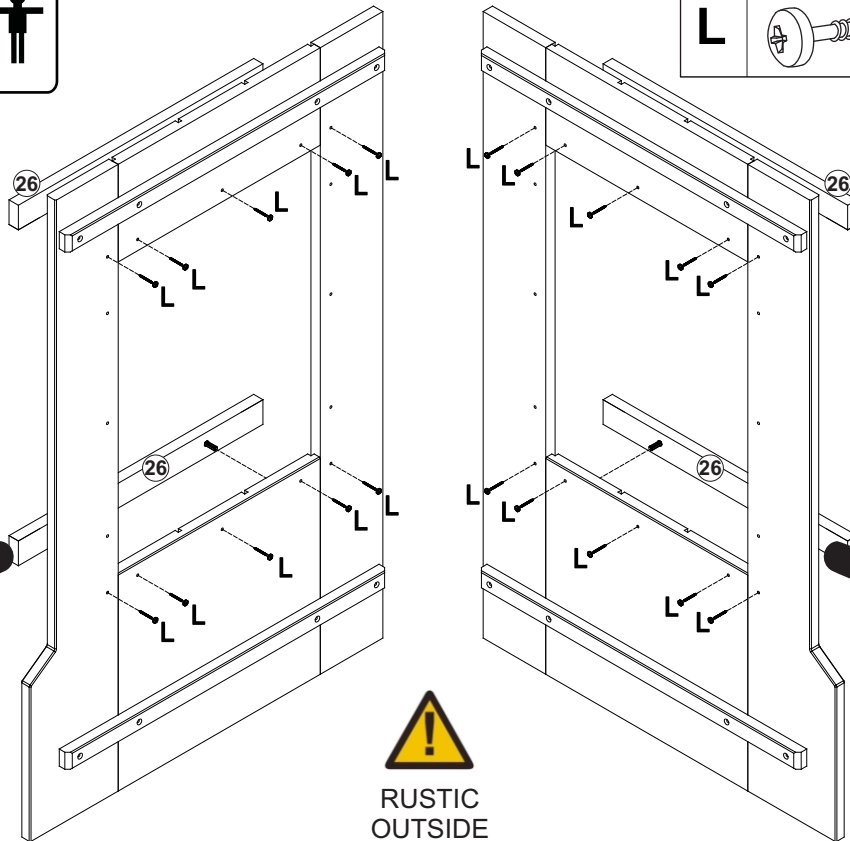
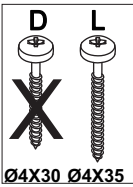
RUSTIC
OUTSIDE



10



SCREW



RUSTIC
OUTSIDE



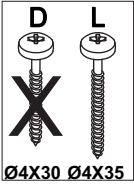
11



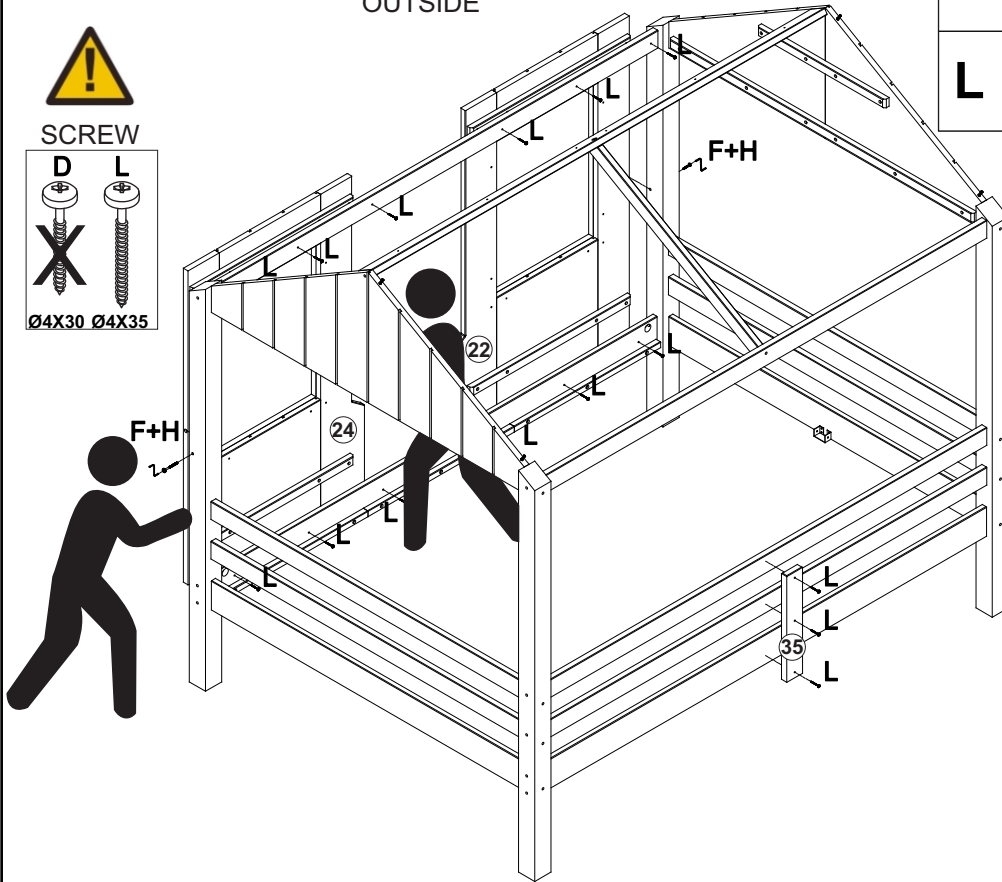
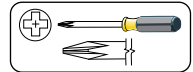
RUSTIC
OUTSIDE



SCREW



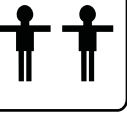
F		02
H		01
L		15



Caution

Please be careful when assembling this product due the parts are extremely heavy. Also, please do not allow kids around when assembling this bed to avoid injuries.

12

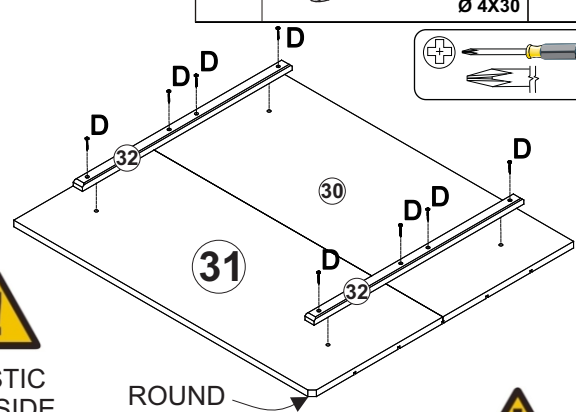
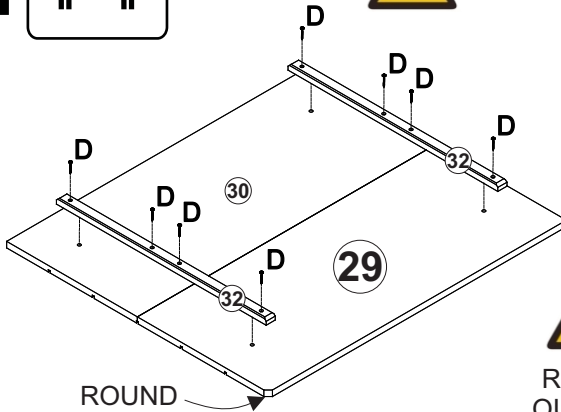
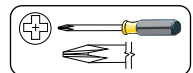


ROOF

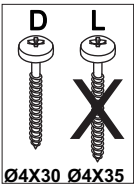


PLEASE ASSEMBLY THE
ROOF ON THE FLOOR

D		16
---	--	----



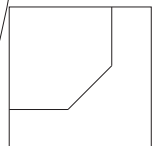
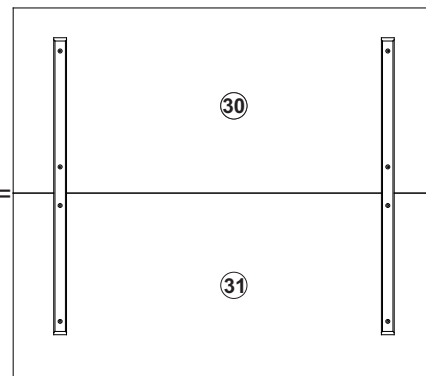
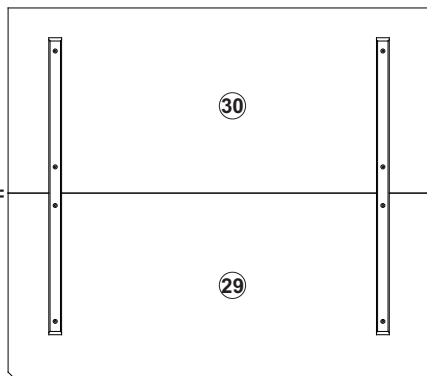
SCREW



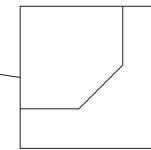
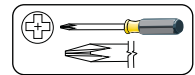
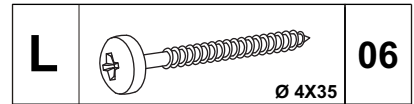
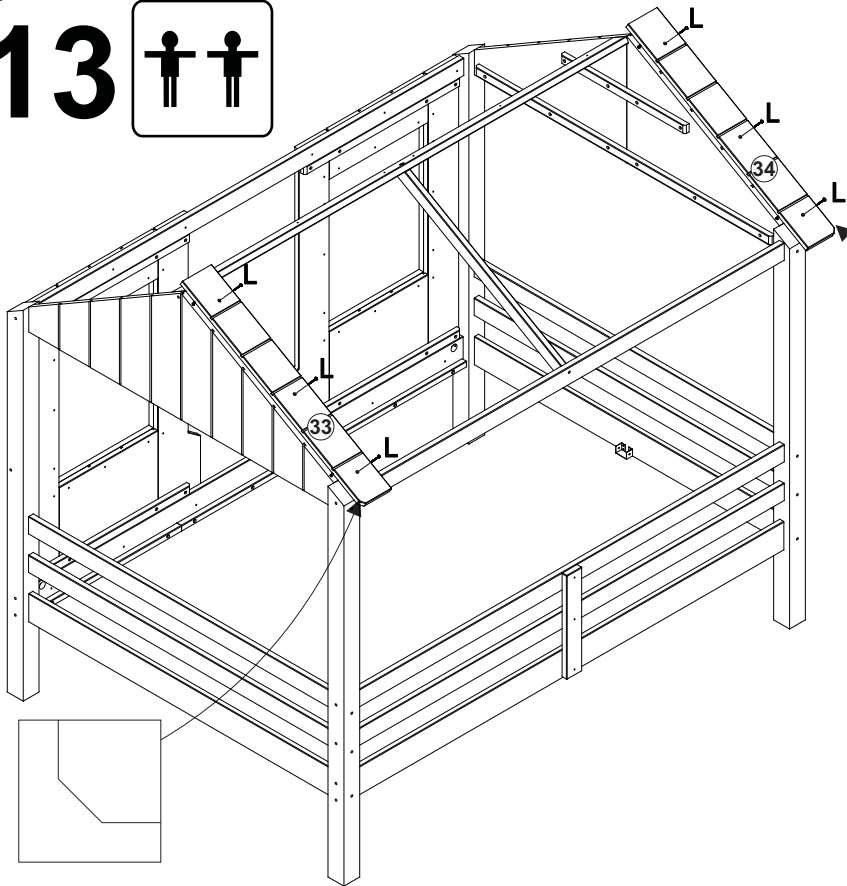
RUSTIC
OUTSIDE



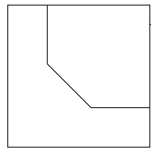
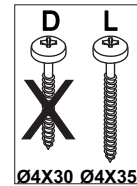
ROUNDED
CORNER
OUTSIDE



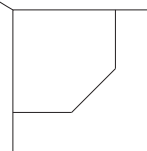
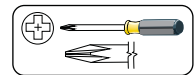
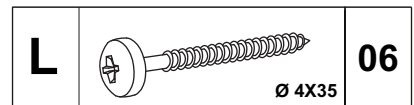
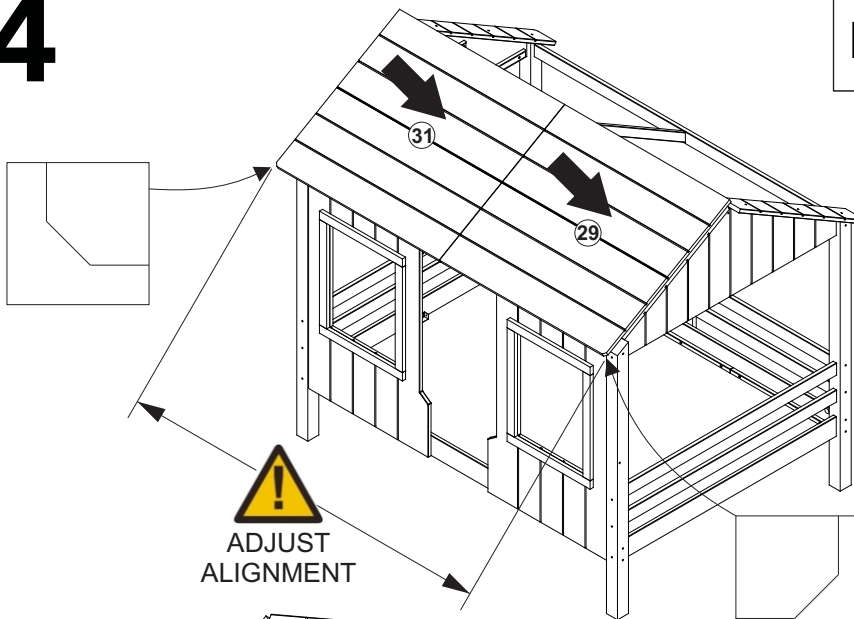
13



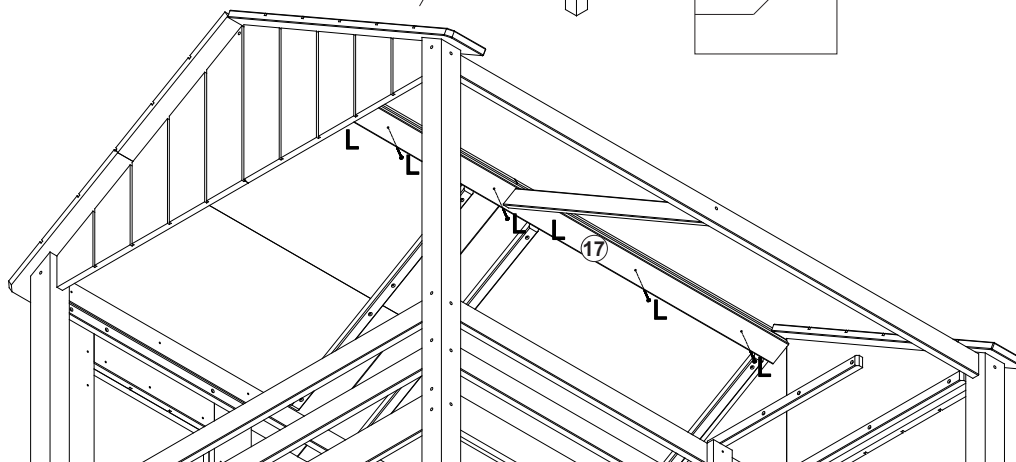
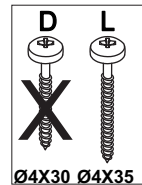
SCREW



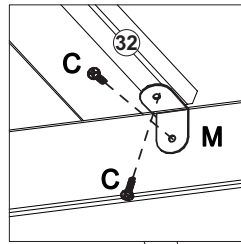
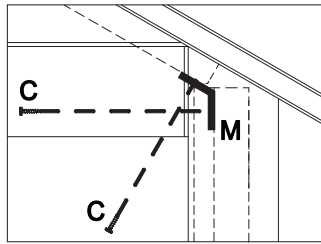
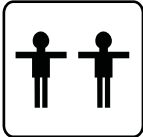
14

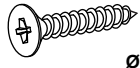



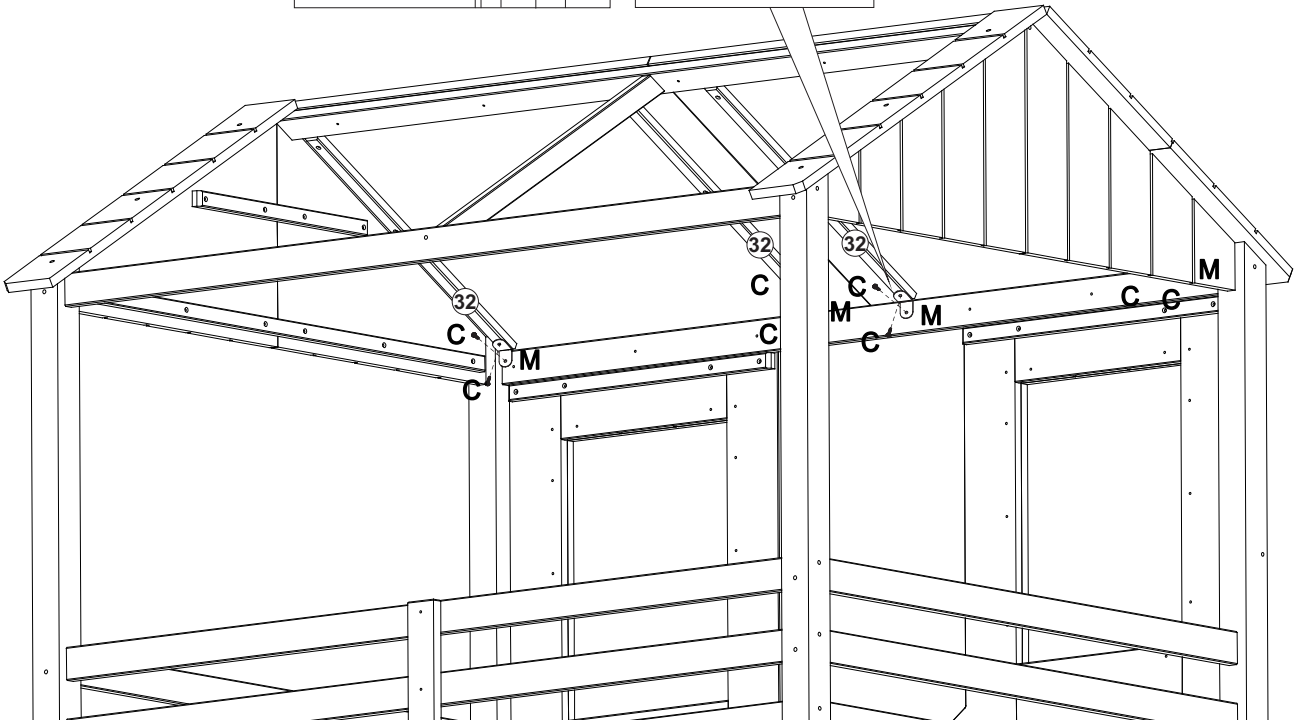
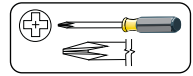
SCREW



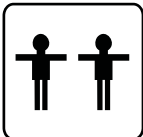
15

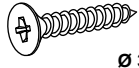


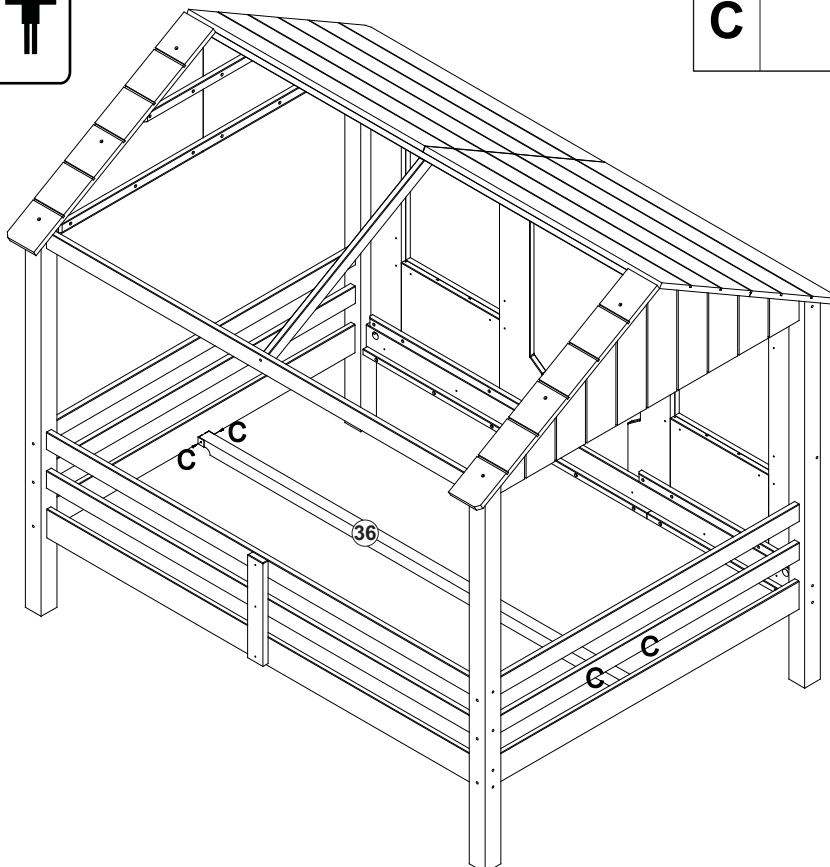
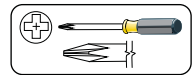
C	 Ø 3,5X16	08
M		04



16




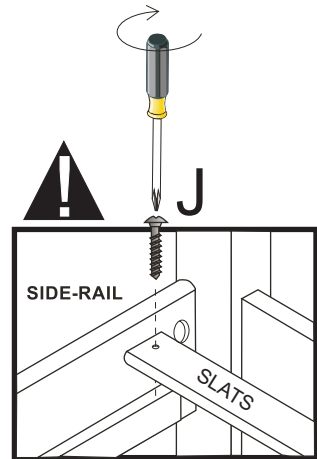
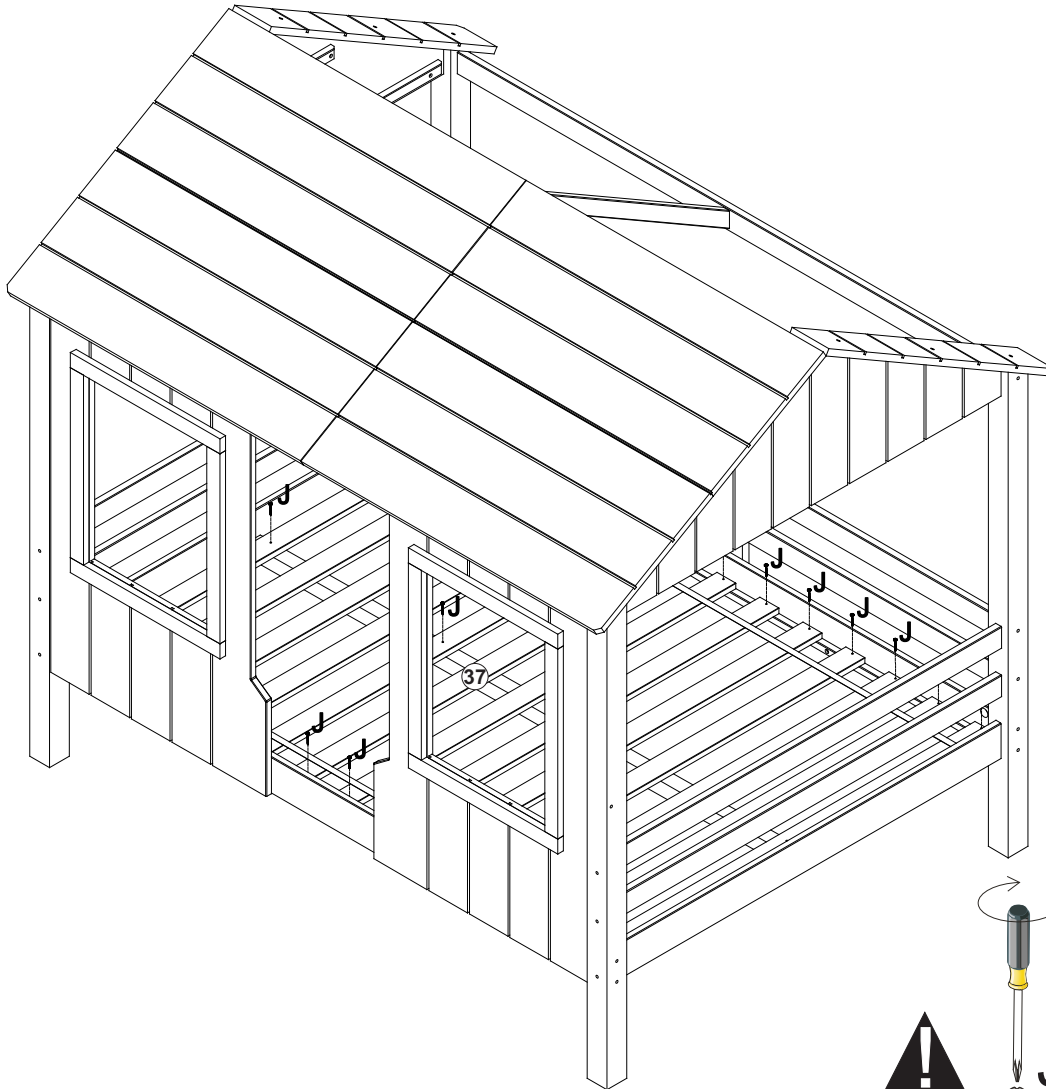
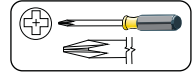
C	 Ø 3,5X16	04
----------	---	-----------



17



J		30
	<small>Ø 4X35</small>	



“INSTALL SLAT KIT WITH SPACER TAPE ON TOP (FACING UP)”

