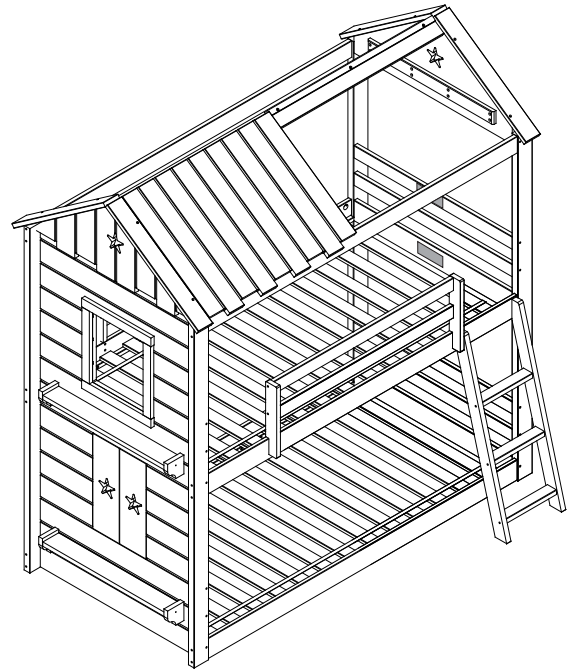


ASSEMBLY INSTRUCTIONS

1580TT - TWIN TWIN STAR GAZE BUNK BED

Thank you for purchasing this quality product. Be sure to check all packing materials carefully for small parts which may have come loose inside the carton during shipment. Separate, identify and count all parts and hardware. Compare with the parts list to be sure all parts are present.



“DO NOT TIGHTEN SCREWS UNTIL COMPLETELY ASSEMBLED”

SIZE OF MATTRESS AND FOUNDATION (SUPPORT)

This bunk bed is designed to use mattresses of (37 1/2" - 38 1/2" x 74 - 75") and maximum thickness of **8"** (high inches) on upper and lower bunk. Do not use mattress without the proper bunkie board of safe foundation.

Note: There must be at least **5"** inches from top surface of mattress to top edge or guardrails.

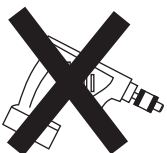
REPLACEMENT PARTS.


Replacement parts, including additional guardrails, may be obtained from place of purchase or original distributor.

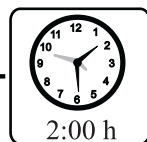
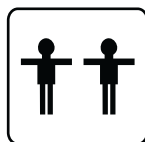
TO OBTAIN PARTS, PLEASE CONTACT: **DONCO TRADING COMPANY - FORT WORTH, TEXAS**

SAFETY WARNINGS!

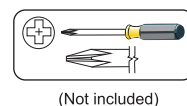
- 1- Follow the information on the warning label appearing on the upper bunk end structure and on the carton. Do not remove warning label from bed.
- 2- Always use the recommended size mattress or mattress support, or both, to help prevent the likelihood of entrapment or falls.
- 3- Surface of mattress must be at least 5 inches below the upper edge of guardrails.
- 4- Do not allow children under 6 years of age to use the upper bunk.
- 5- Prohibit more than one person on upper bunk.
- 6- Periodically check and ensure that the guardrail, ladder and other components are in their proper position free from damage, and that all connectors are tight.
- 7- Do not allow horseplay on or under the bed and prohibit jumping on the bed.
- 8- Always use the ladder for entering and leaving the upper bunk.
- 9- Do not use substitute parts. Contact distributor or dealer for replacement parts.
- 10- Use of a night light may provide added safety precaution for a child using the upper bunk.
- 11- If the bunk bed will be placed next to a wall, the guardrail that runs the full length of the bed should be placed against the wall to prevent entrapment between the bed and the wall.
- 12- Always use guardrails on both long sides of the upper bunk.
- 13- The use of water or sleep flotation mattresses is prohibited.
- 14- Keep these instructions for future reference.
- 15- Strangulation Hazard - Never attach or hang items to any part of the bunk bed that are not designed for use with the bed: for example, but not limited to, hooks, belts, and jump ropes, etc.



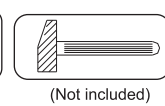

* Use of power tool to assemble this product will invalidate any claim and damage this product making unsafe !!!
* Please assemble on a clean soft surface to avoid damage.



Tools Required



(Not included)



(Not included)



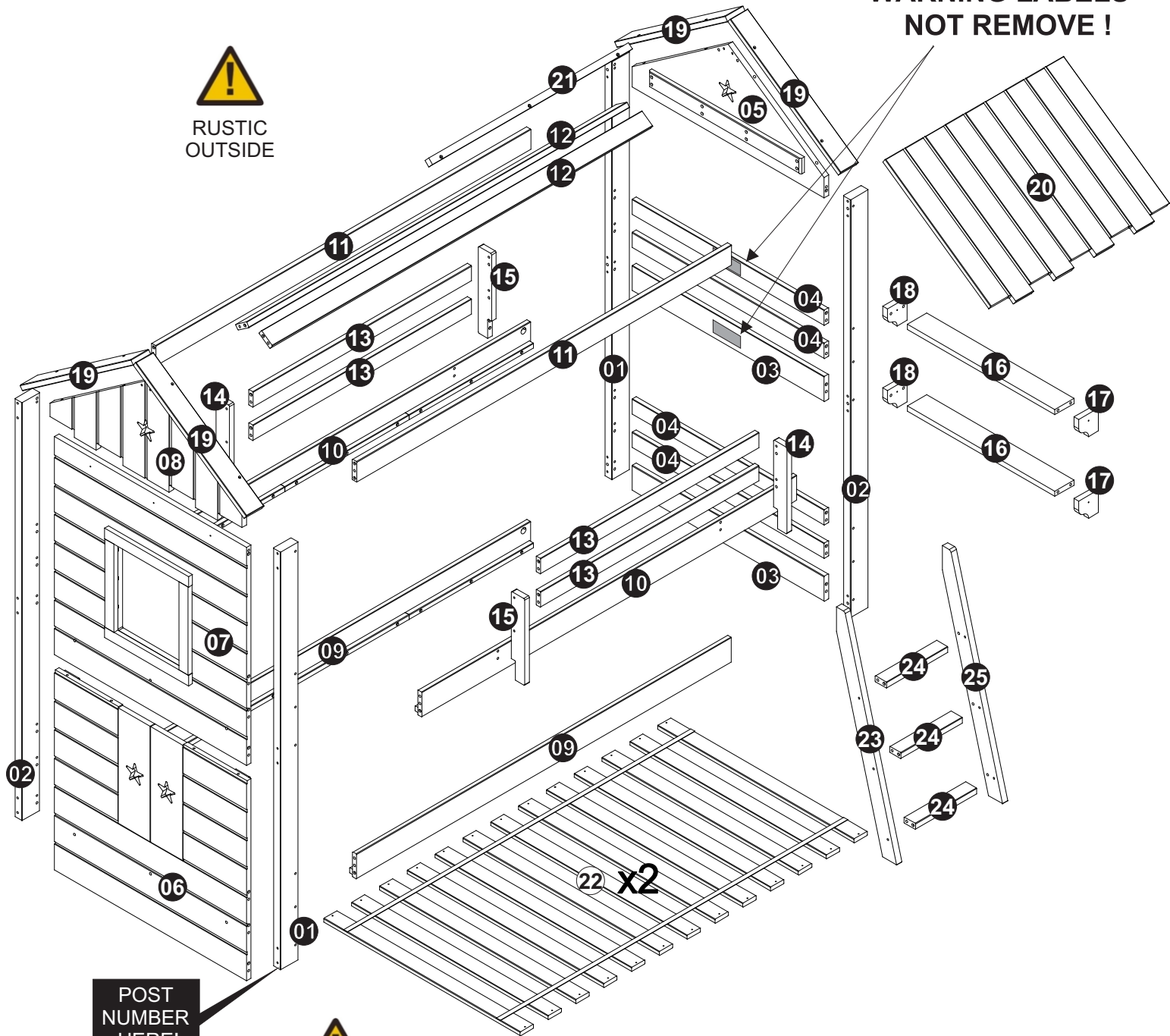
IMPORTANT: PLEASE READ INSTRUCTIONS BEFORE STARTING THE ASSEMBLY

Part List - 1580TT - TWIN TWIN STAR GAZE BUNK BED

**WARNING LABELS
NOT REMOVE !**



**RUSTIC
OUTSIDE**



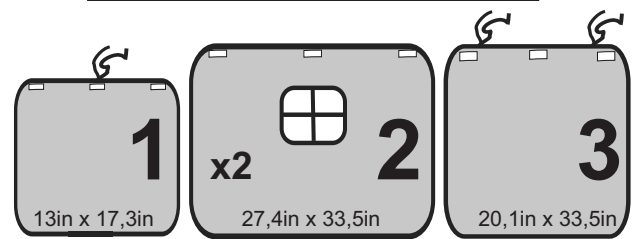
**POST
NUMBER
HERE!**





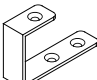


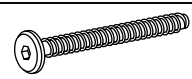

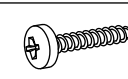
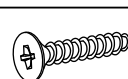

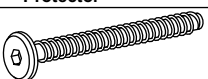

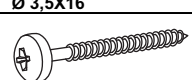

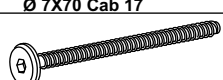
Caution

Please be careful when assembling this product due the parts are extremely heavy. Also, please do not allow kids around when assembling this bed to avoid injuries.

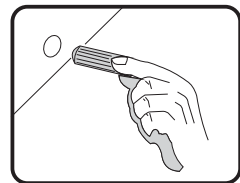
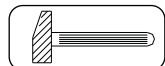
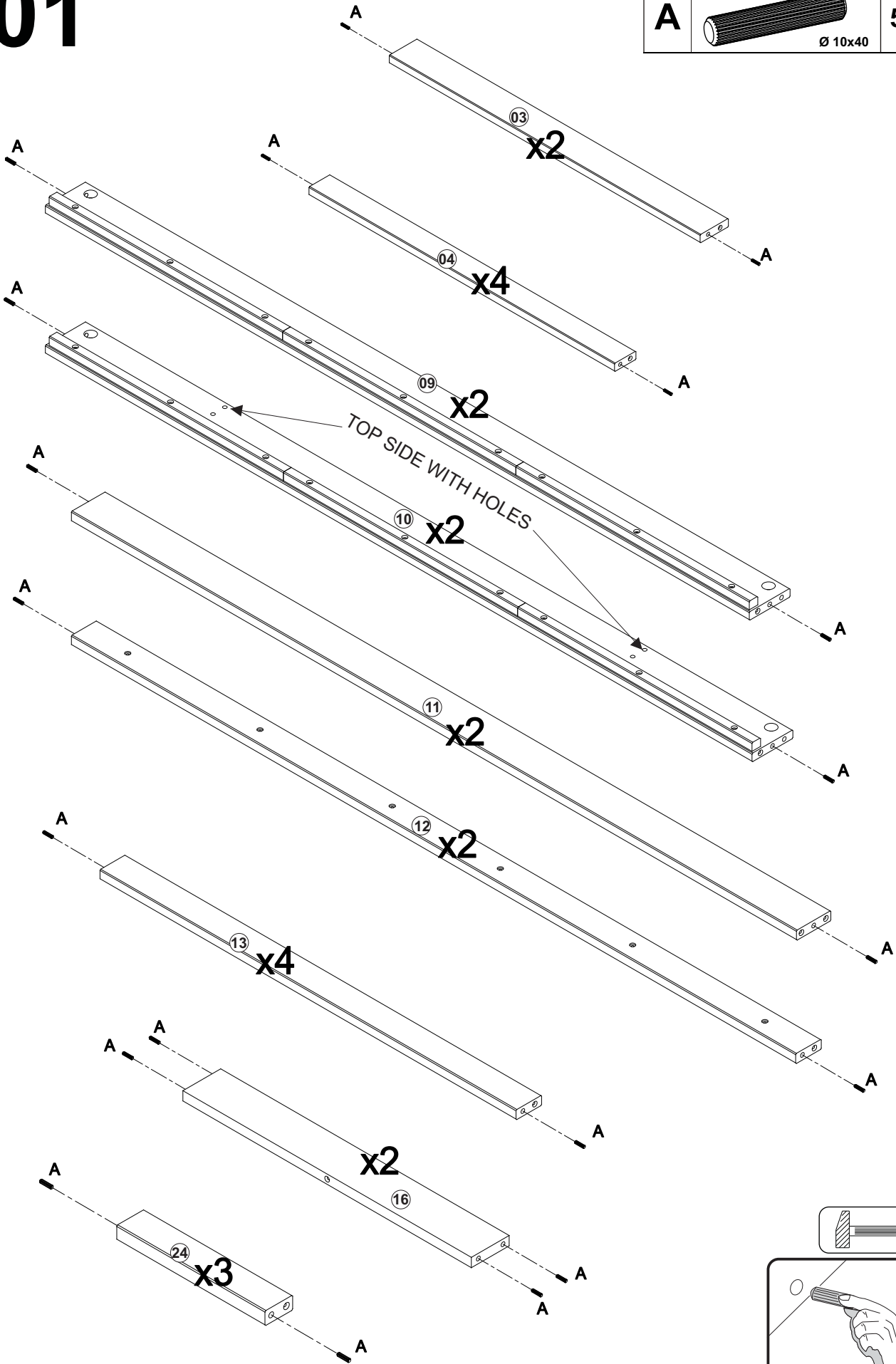
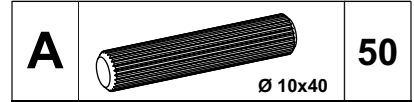
OPTIONAL TENTS - STEP 20



Identifying the Hardware-Identify the hardware using the illustrations below.


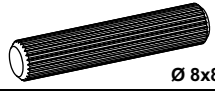
A	 Ø 10x40	74	E	 Ø 1/4X130 Cab 17	08	I		02	M	 Ø 4X30	52
B	 Ø 8x80	04	F	 Ø 7X60 Cab 17	32	J	 Protector	02	N	 Ø 3,5X16	06
C	 Ø 3,5X16	06	G		08	K	 Ø 7X70 Cab 17	28	O		03
D	 Ø 4X35	24	H		02	L	 Ø 7X120 Cab 17	16			

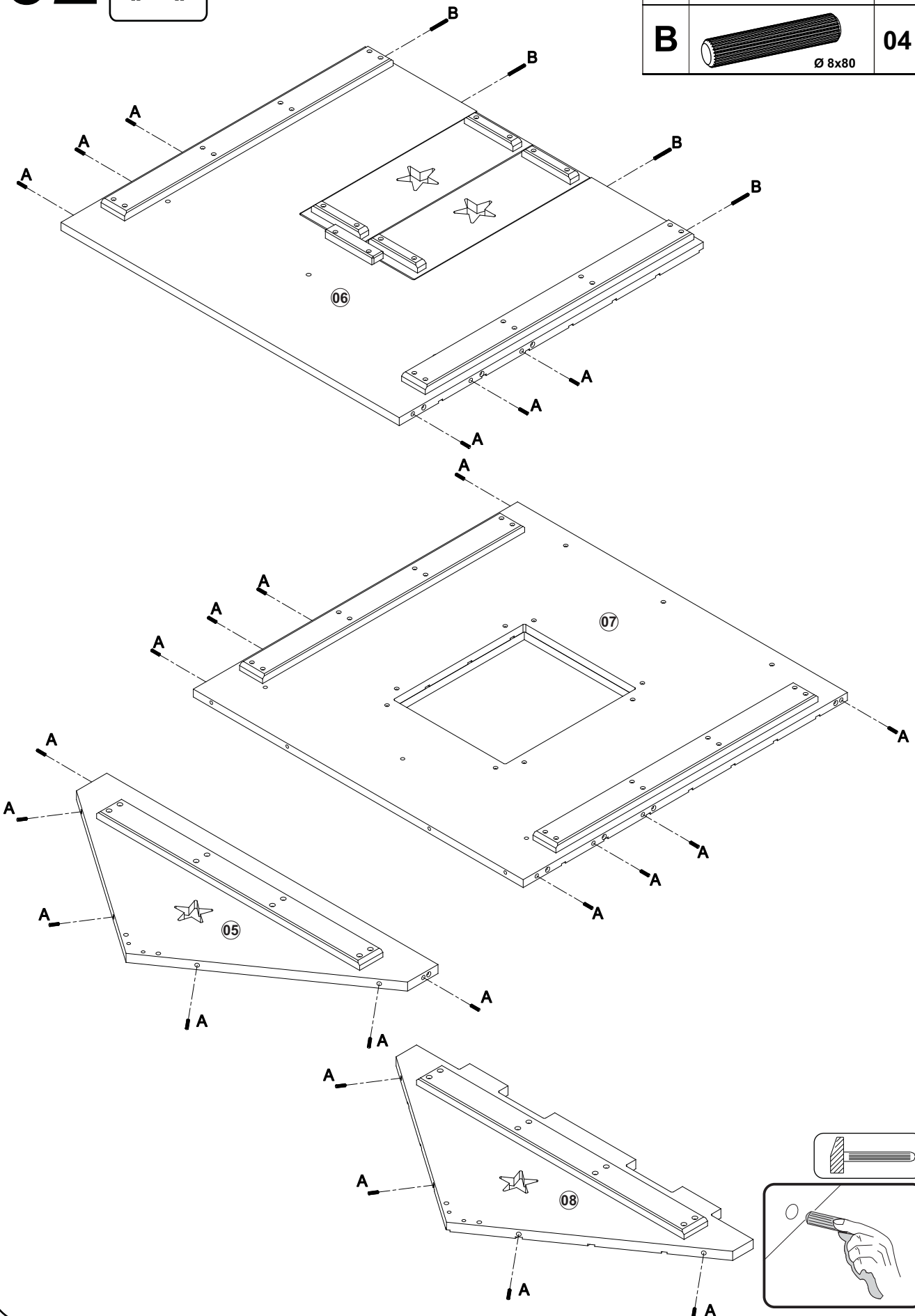
01



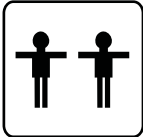
02



A	 Ø 10x40	24
B	 Ø 8x80	04



03



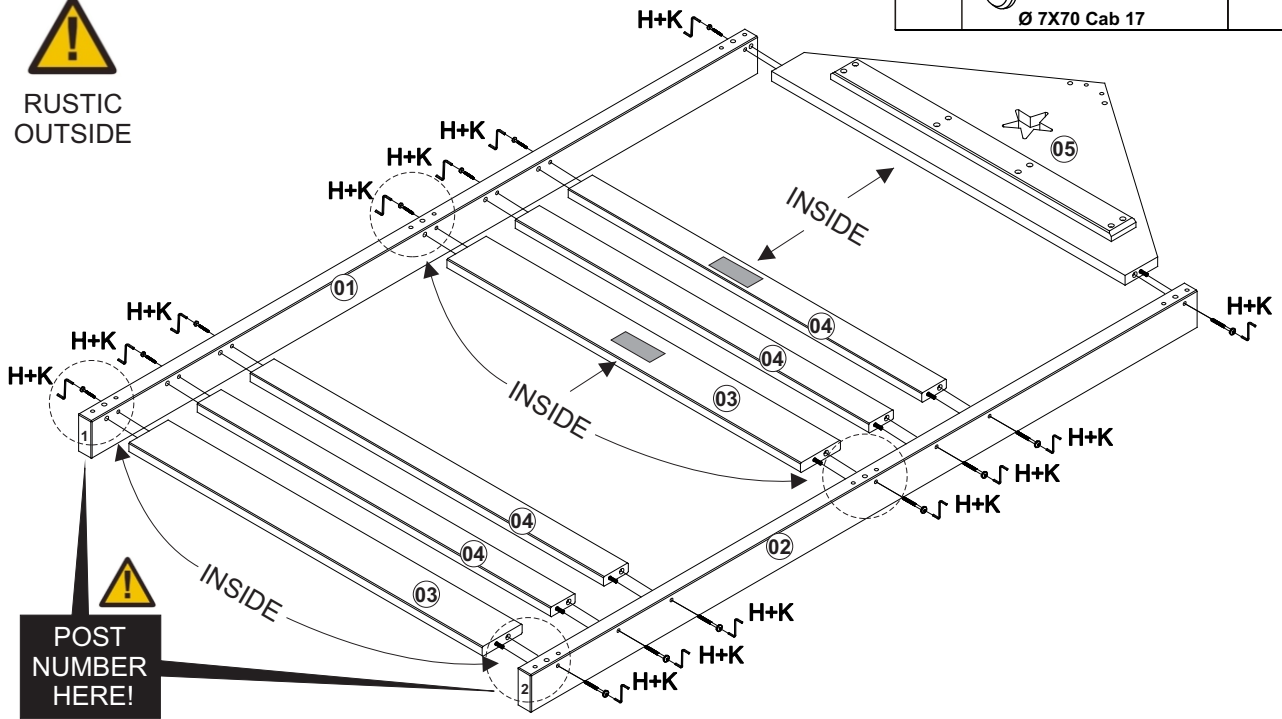
PLEASE ASSEMBLY THE HEADBOARDS ON THE FLOOR

H		01
K		14

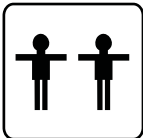
Ø 7X70 Cab 17



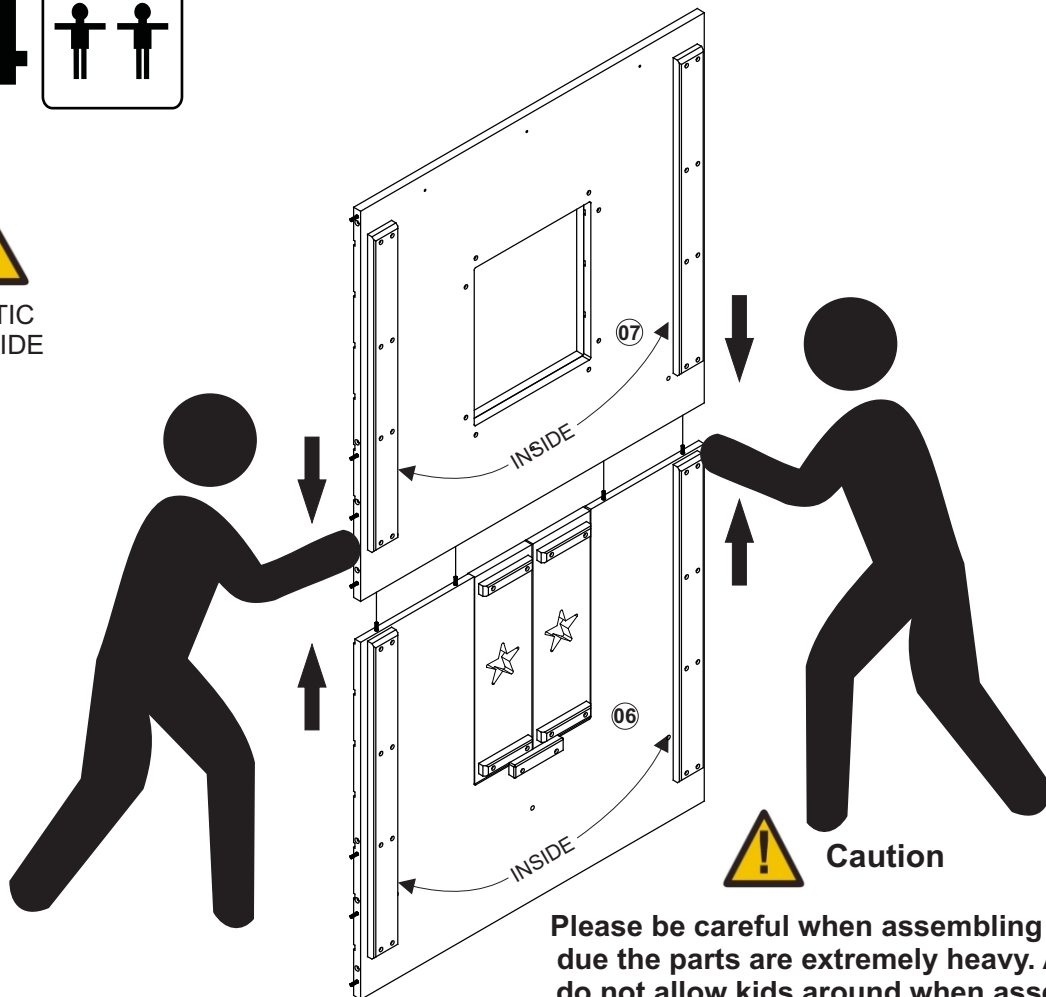
RUSTIC OUTSIDE



04



RUSTIC OUTSIDE



Please be careful when assembling this product due the parts are extremely heavy. Also, please do not allow kids around when assembling this bed to avoid injuries.

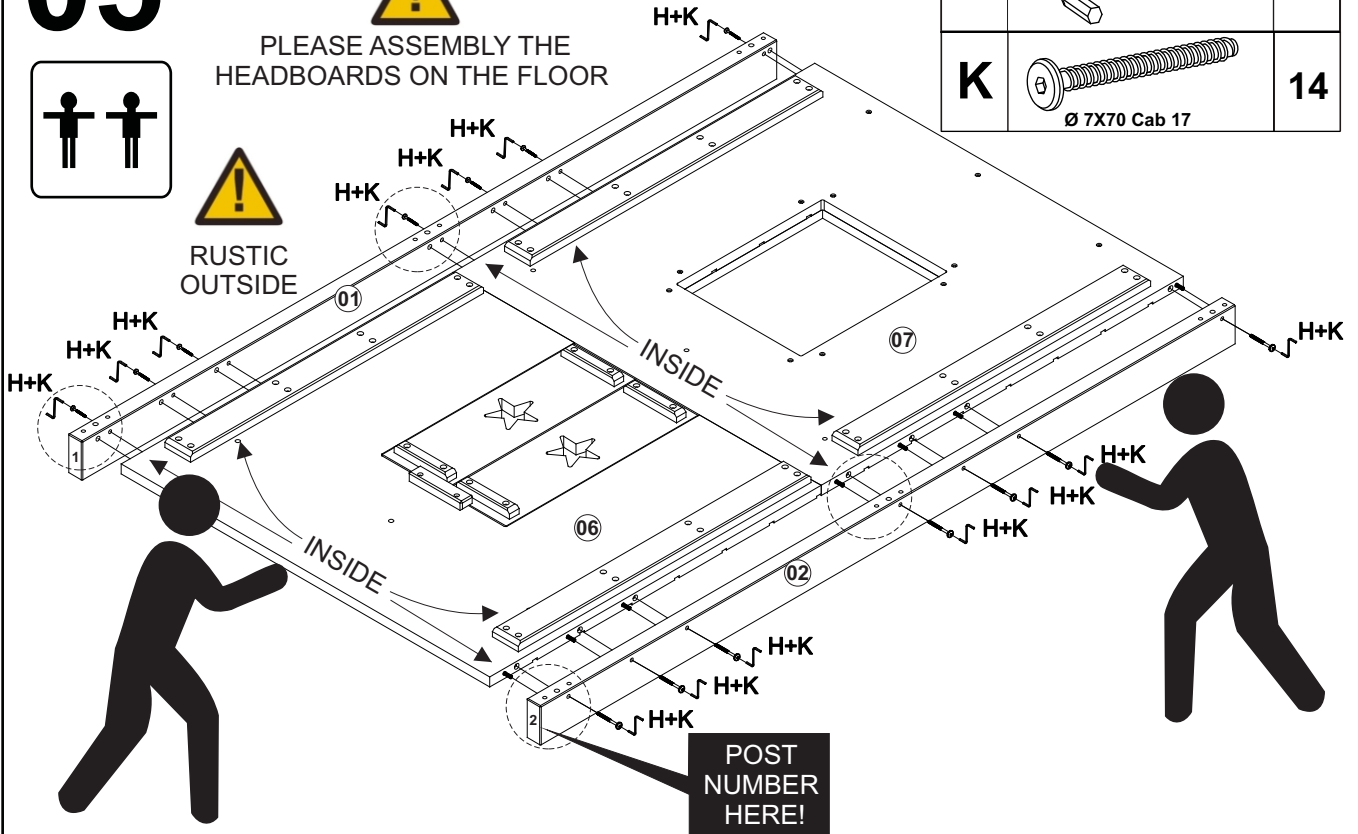
05



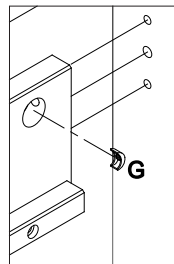
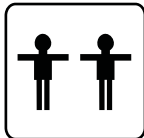
PLEASE ASSEMBLY THE HEADBOARDS ON THE FLOOR



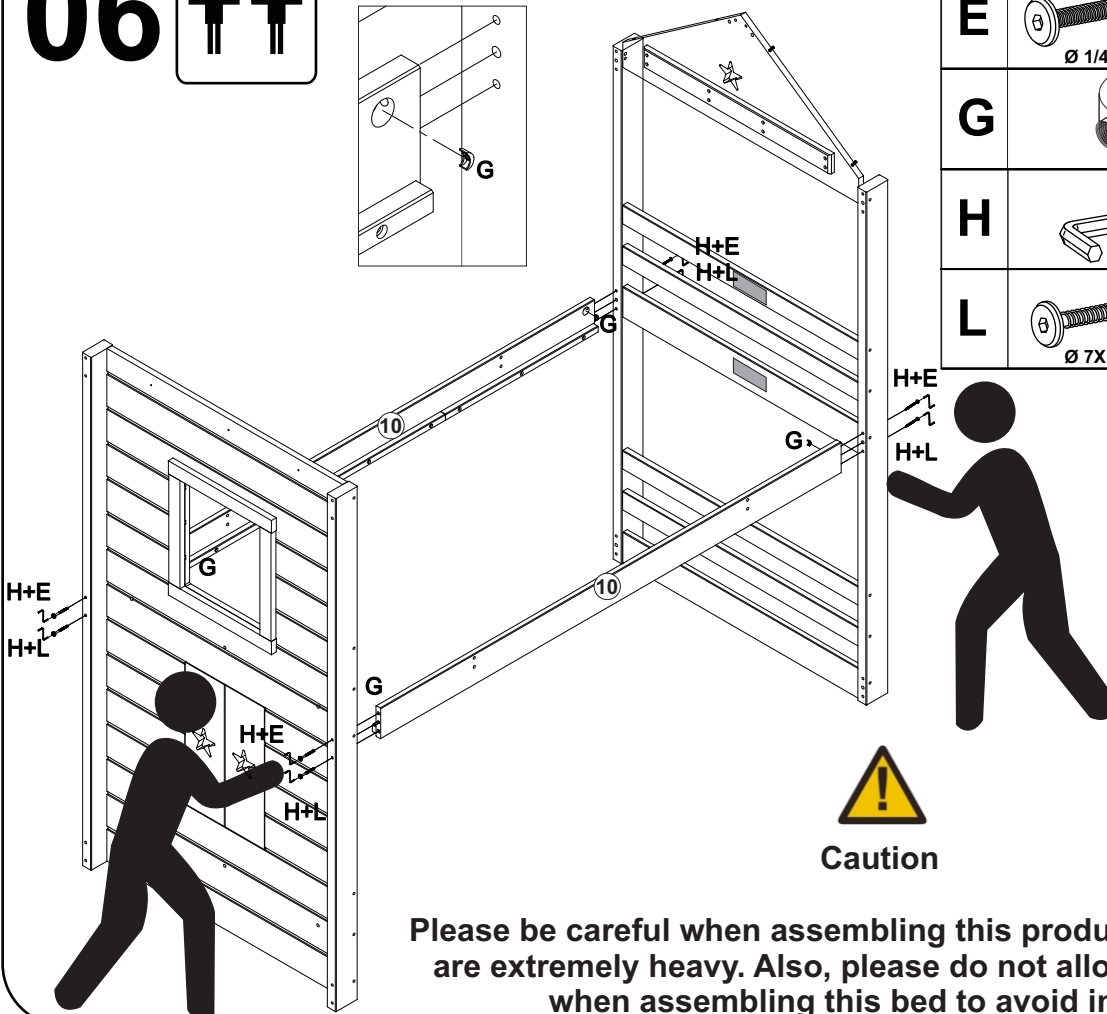
H		01
K		14
Ø 7X70 Cab 17		



06



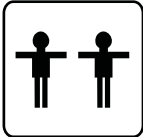
E		04
G		04
H		01
L		04
Ø 7X120 Cab 17		



Caution

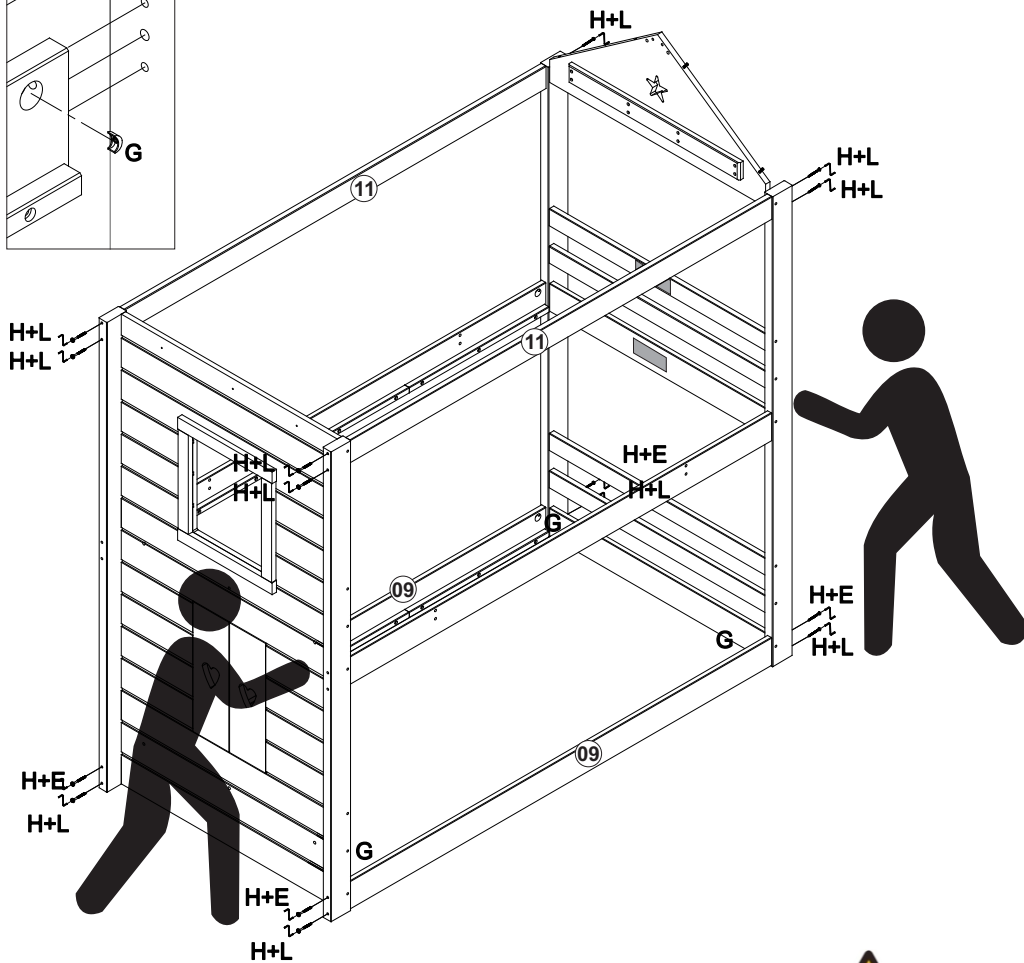
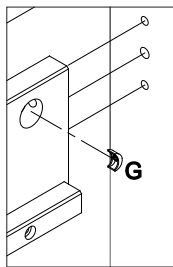
Please be careful when assembling this product due the parts are extremely heavy. Also, please do not allow kids around when assembling this bed to avoid injuries.

07



RUSTIC
OUTSIDE

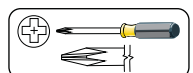
E		04
G		04
H		01
L		12



Caution



Please be careful when assembling this product due the parts are extremely heavy. Also, please do not allow kids around when assembling this bed to avoid injuries.

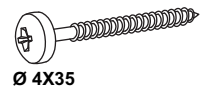


08



RUSTIC
OUTSIDE

D

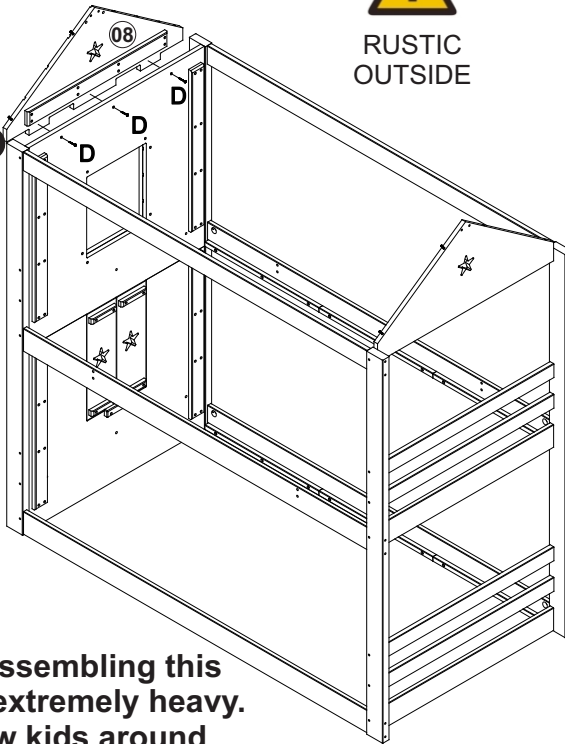


Ø 4X35

03

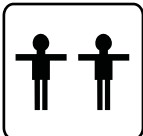


Caution



Please be careful when assembling this product due the parts are extremely heavy.
Also, please do not allow kids around when assembling this bed to avoid injuries.

09



HOLES
BOTTOM

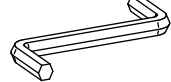
F



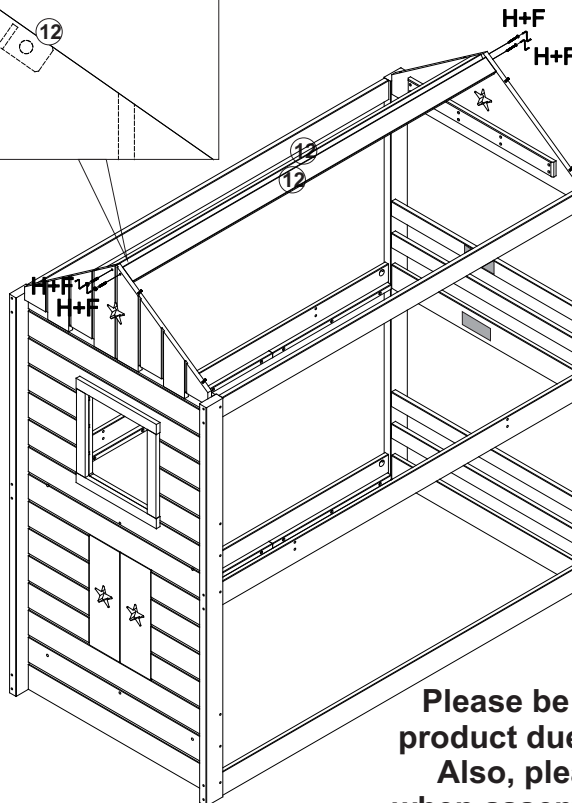
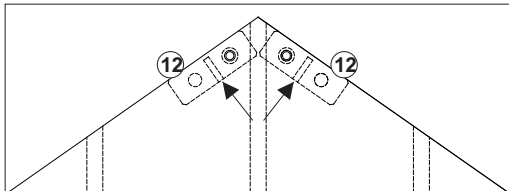
Ø 7X60 Cab 17

04

H





01

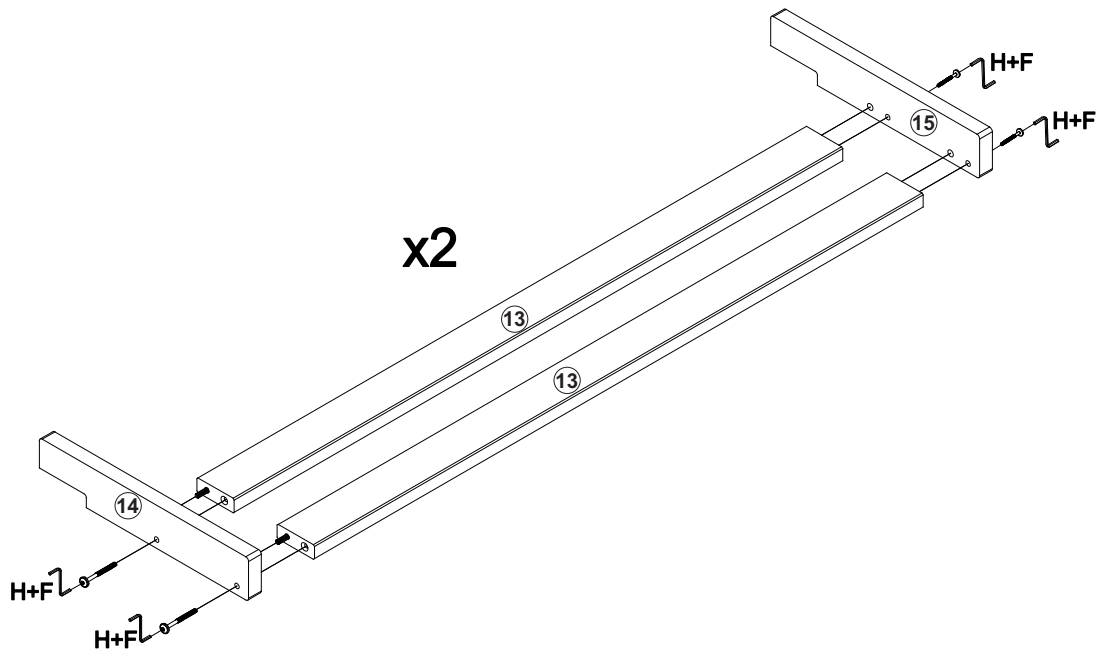


Caution

Please be careful when assembling this product due the parts are extremely heavy.
Also, please do not allow kids around when assembling this bed to avoid injuries.

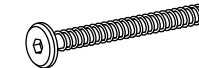
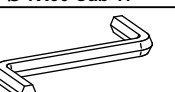
10 GUARDRAILS

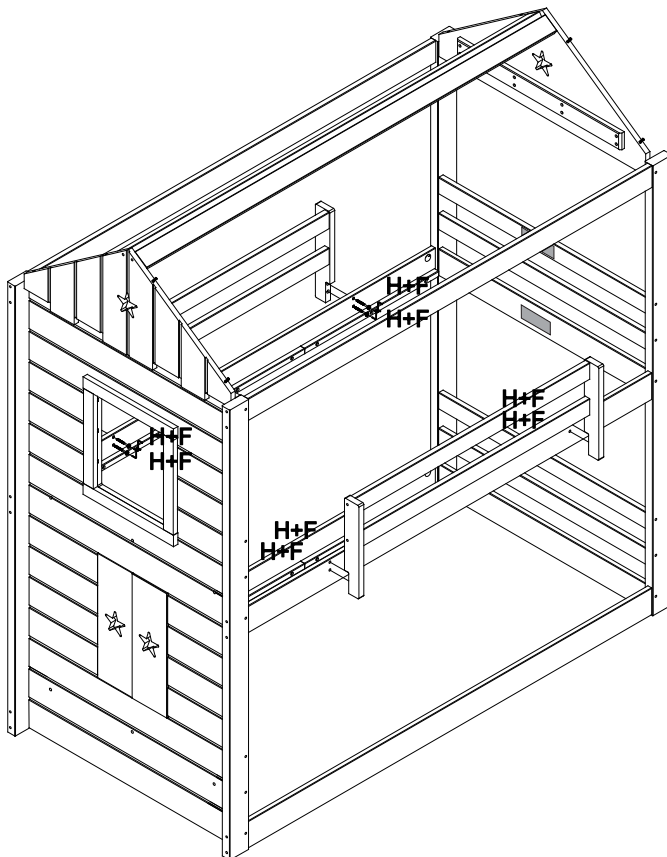
F	 Ø 7X60 Cab 17	08
H		01




11

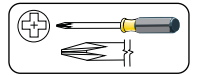
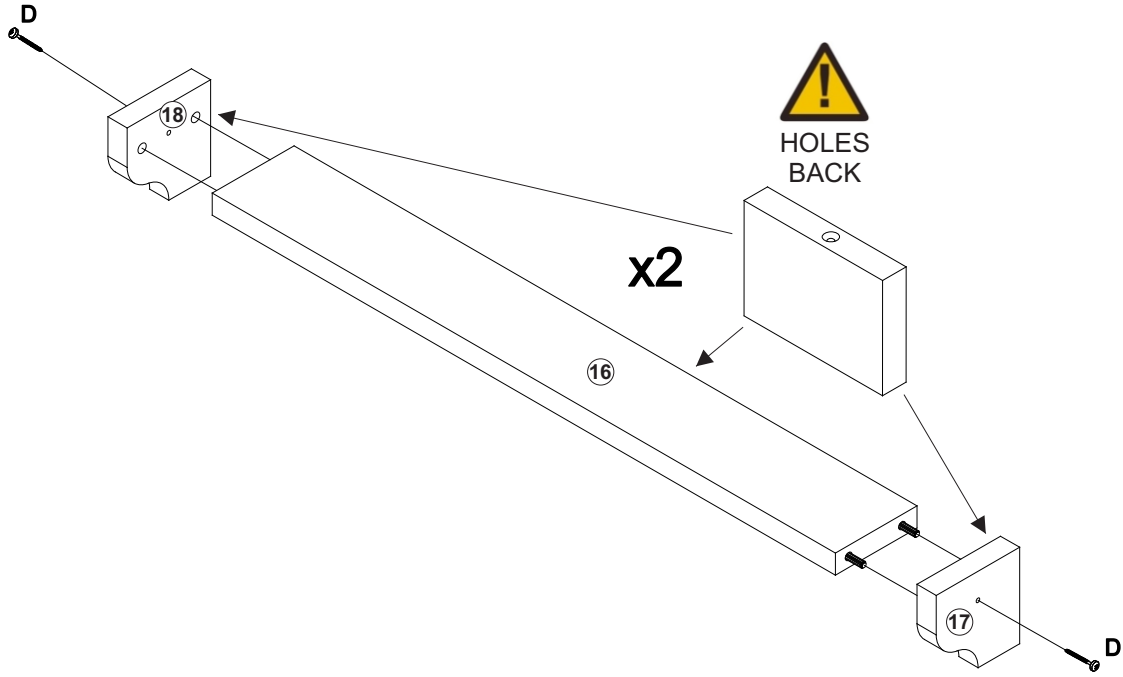


F	 Ø 7X60 Cab 17	08
H		01





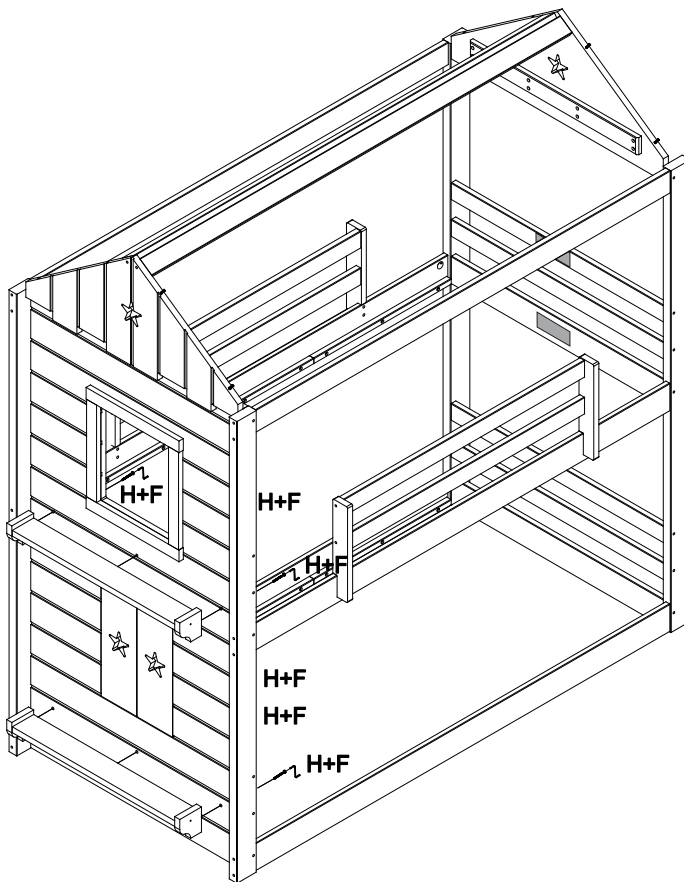
12 SHELVES

D	 Ø 4X35	04
----------	---	-----------

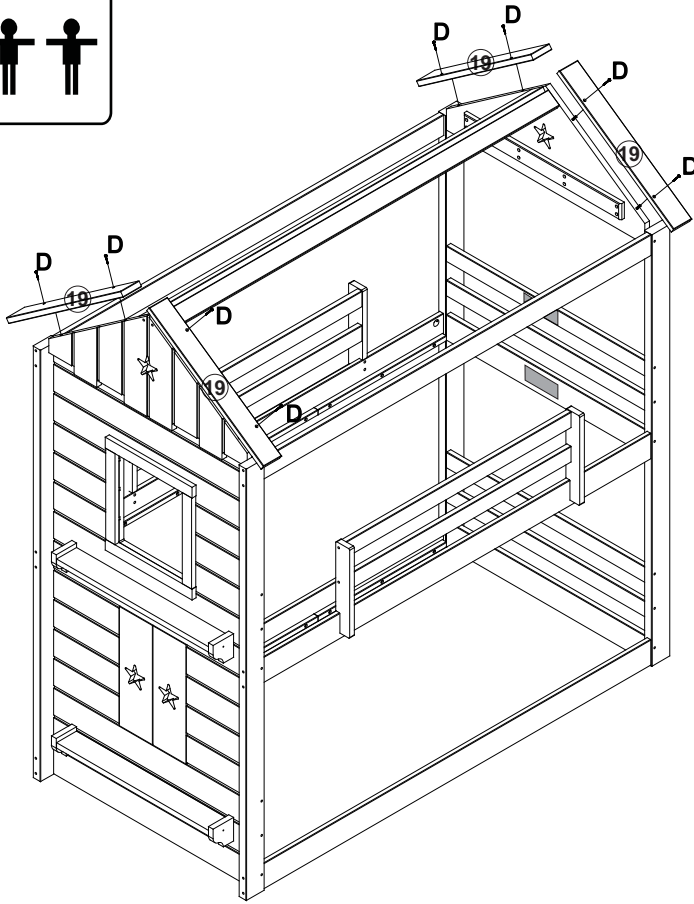



13

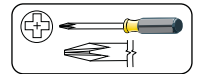
F	 Ø 7X60 Cab 17	06
H		01



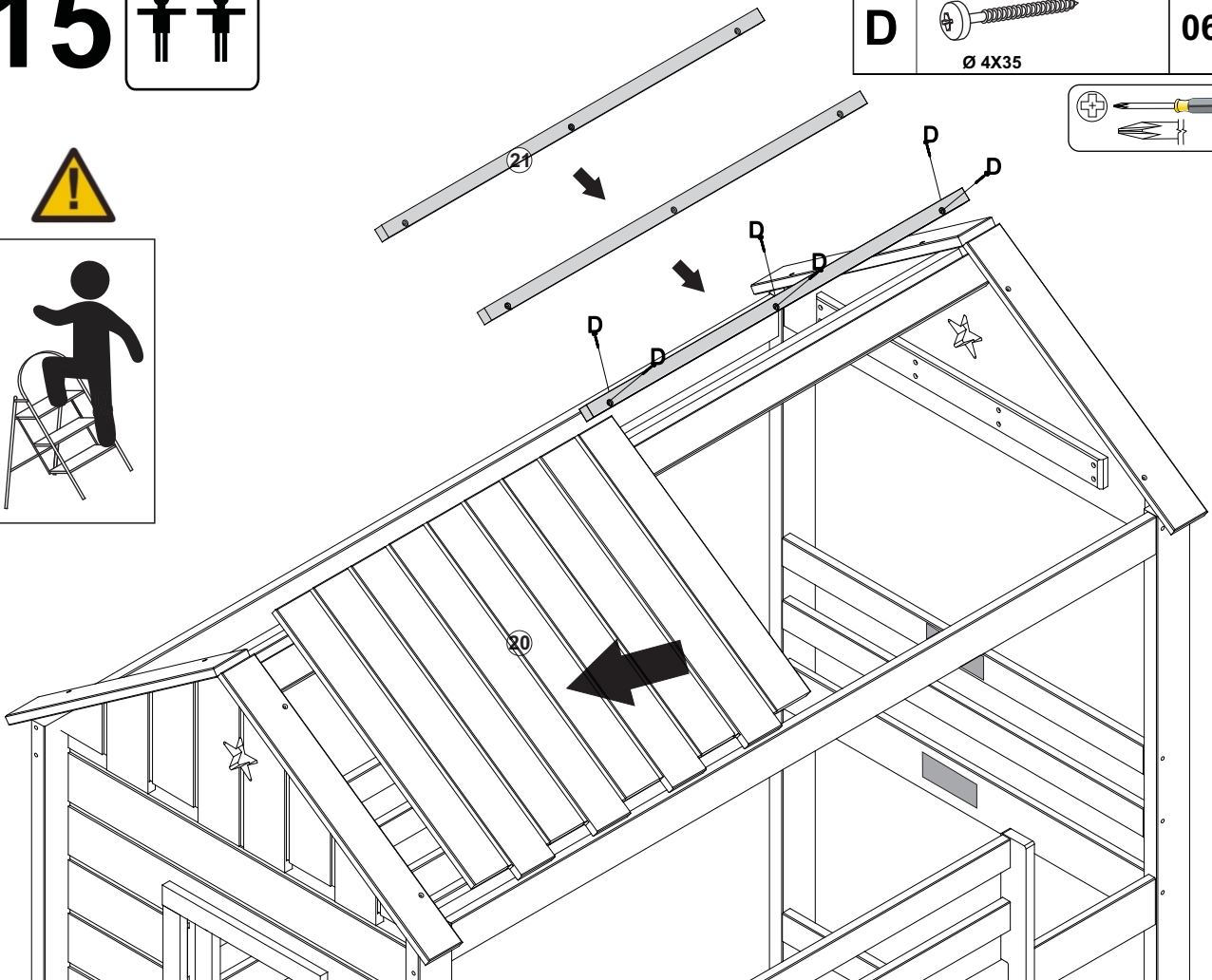
14




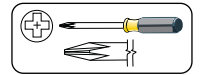
D	 Ø 4X35	08
----------	---	-----------



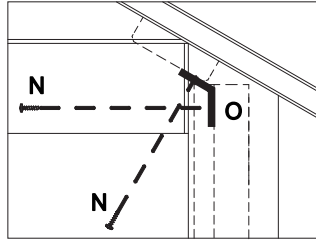
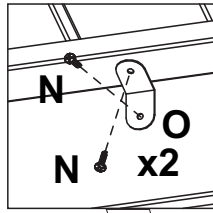
15

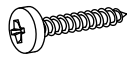




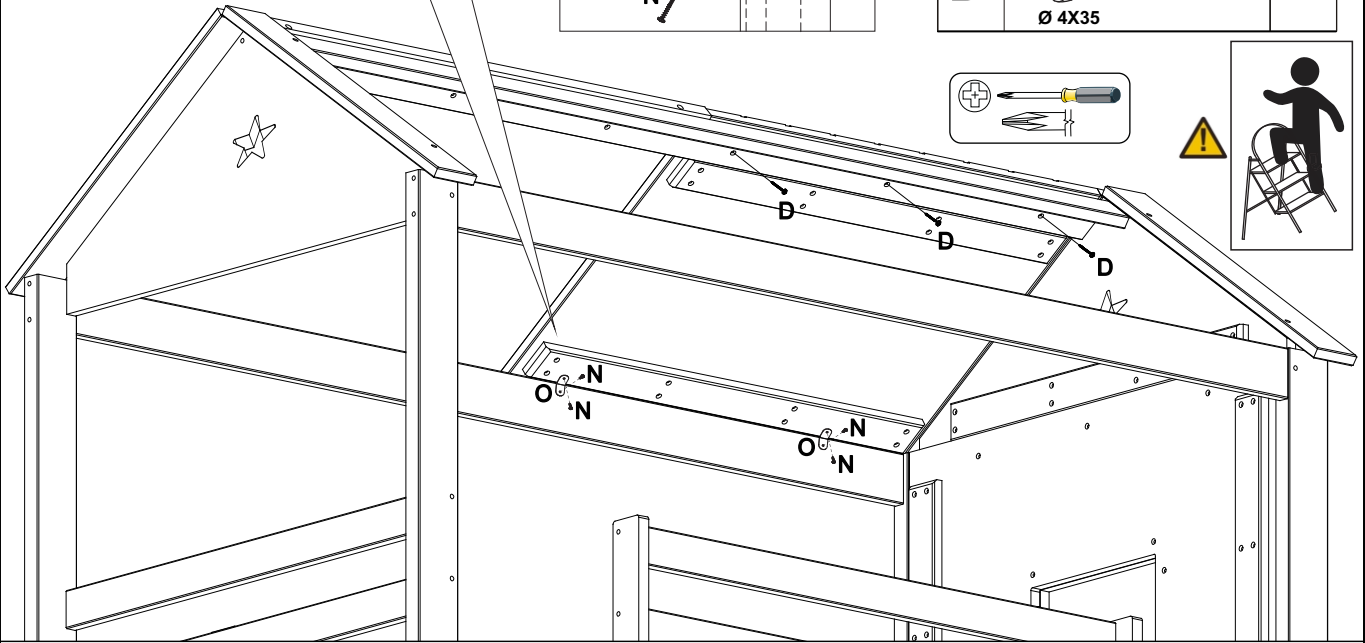
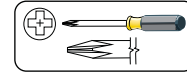
D	 Ø 4X35	06
----------	---	-----------



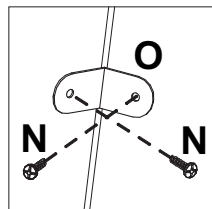
16

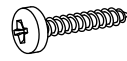



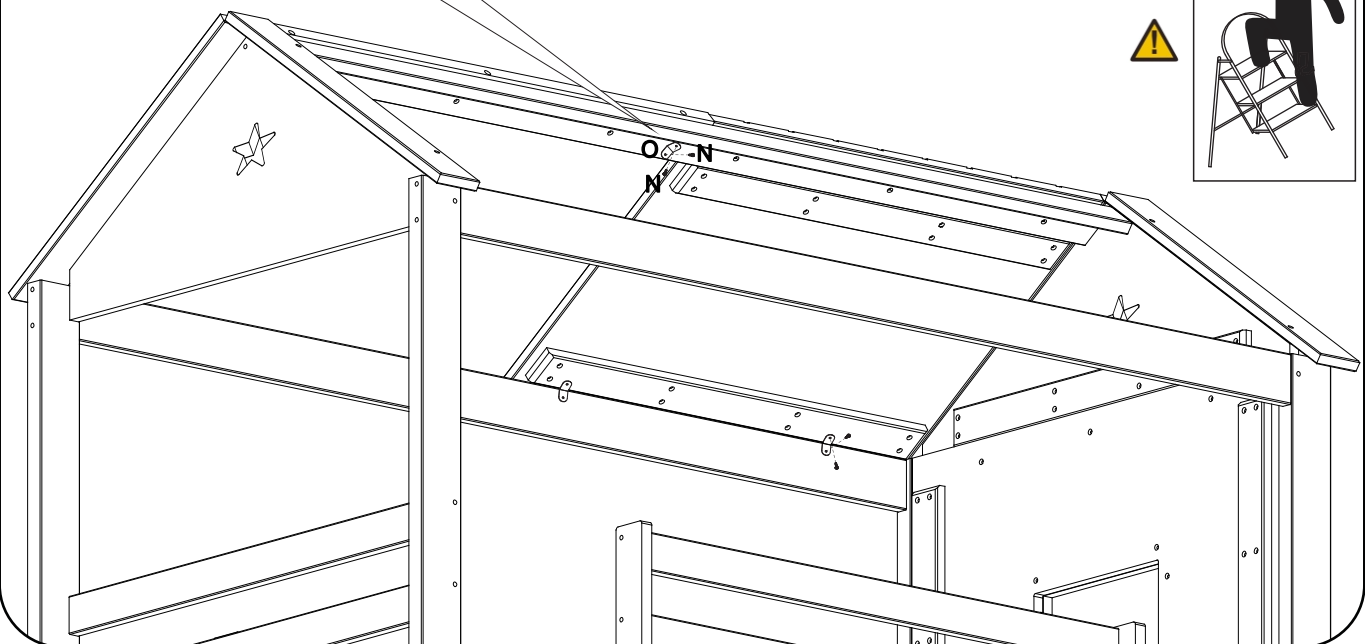
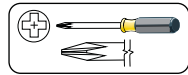
N	 Ø 3,5X16	04
O		02
D	 Ø 4X35	03



16.1



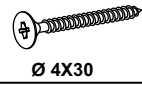
N	 Ø 3,5X16	02
O		01



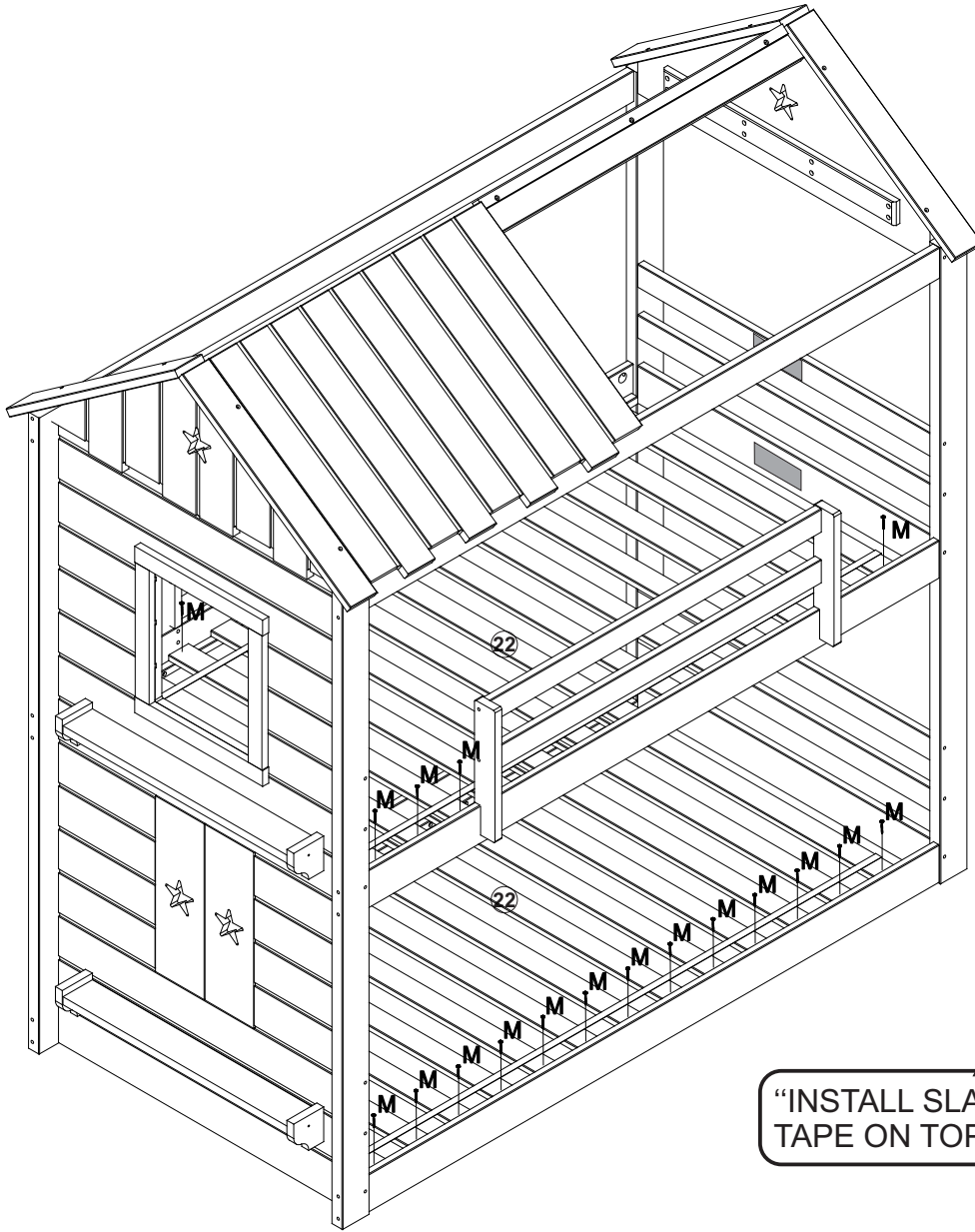
17



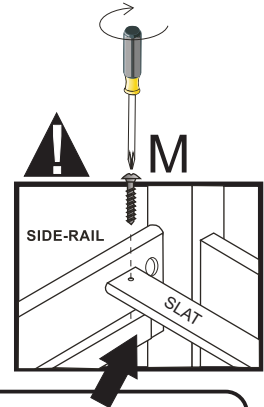
M



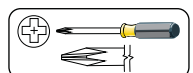
52



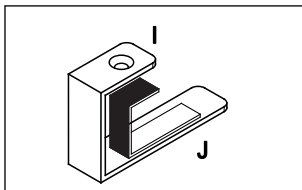
! "INSTALL SLAT KIT WITH SPACER TAPE ON TOP (FACING UP)"



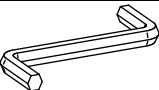
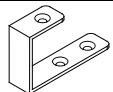



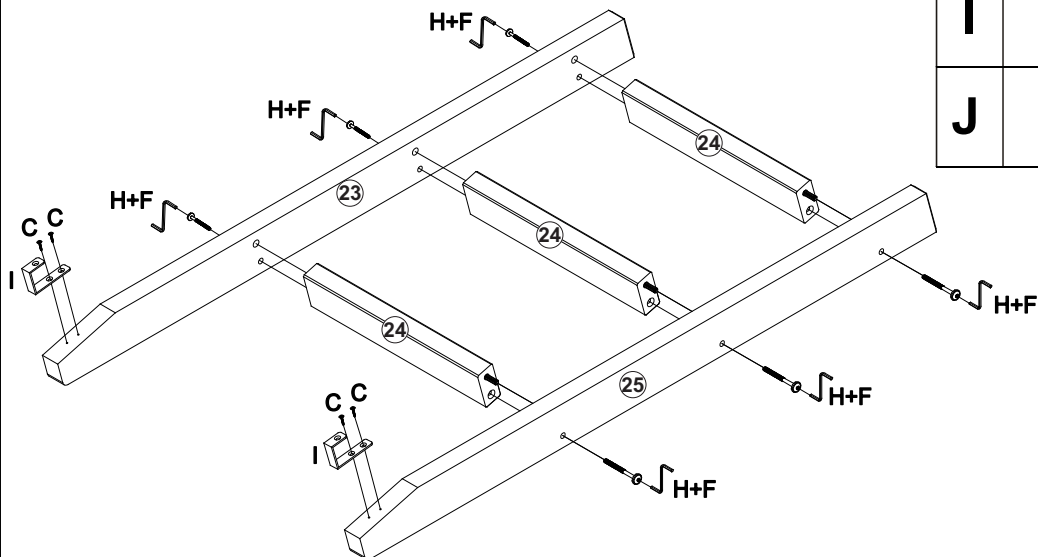
The first slats must be fixed at 3" from each headboard end.




18 LADDER

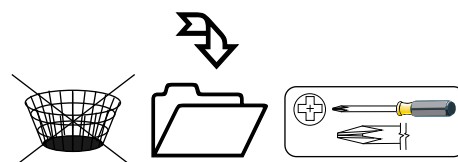
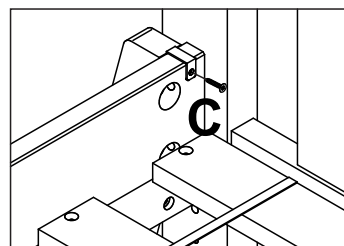
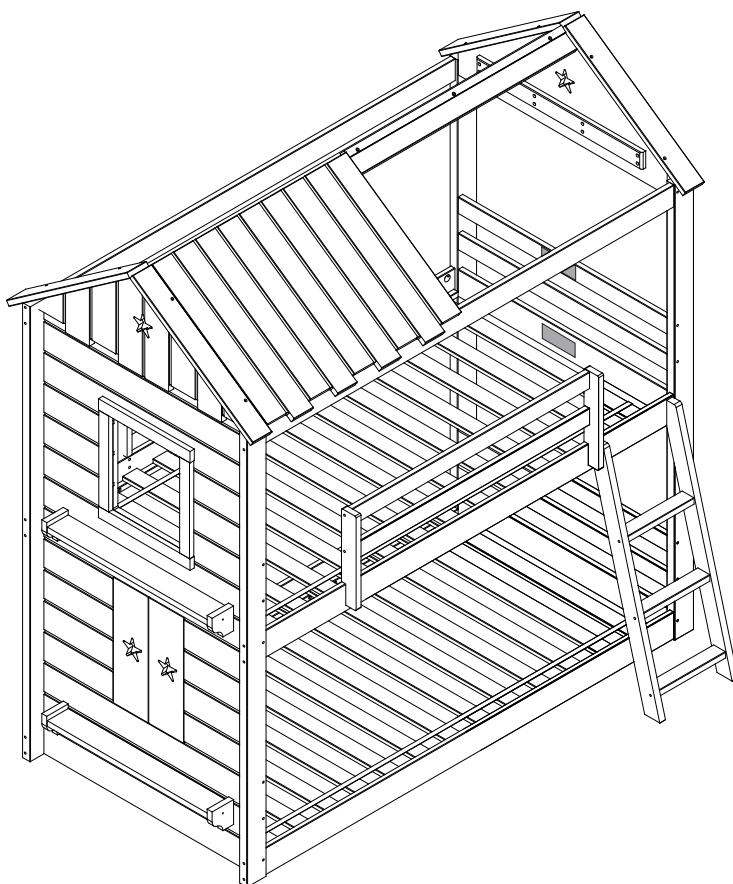


C	 Ø 3,5X16	04
F	 Ø 7X60 Cab 17	06
H		01
I		02
J	 Protector	02

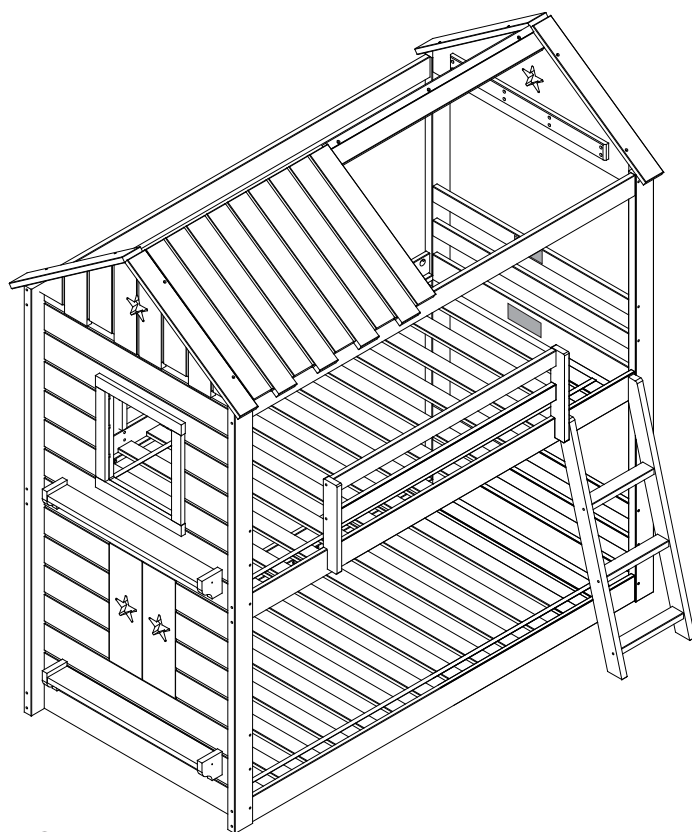


19

C	 Ø 3,5X16	02
----------	---	-----------

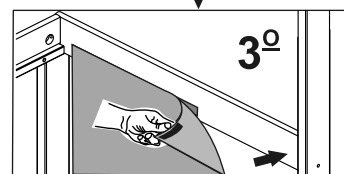
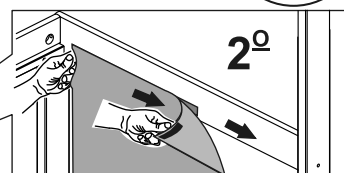
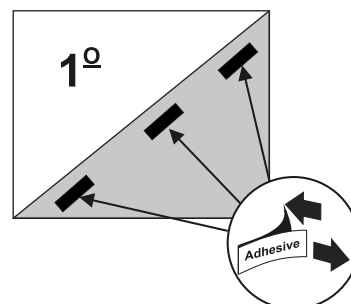
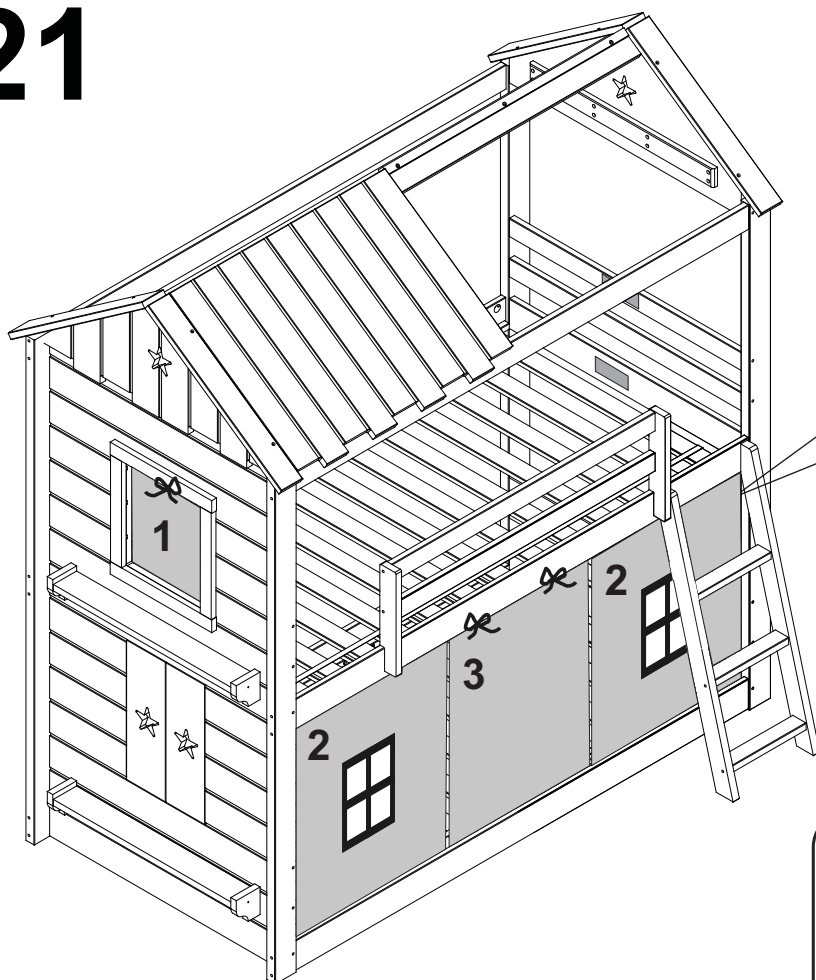


20



OPTION THE BUNK BED ONLY

21



CAUTION

Please remove the fine paper glued (Adhesive) on the velcro applied on the **Tent**. After this step, hold tight the **Tent** on both ends to fix on the crossbars and on front side rail like showing on instructions.

OPTION THE BUNK BED WITH TENT FABRIC