


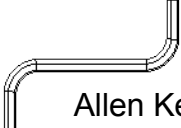

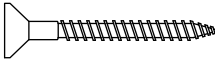
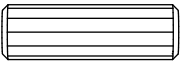
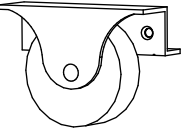



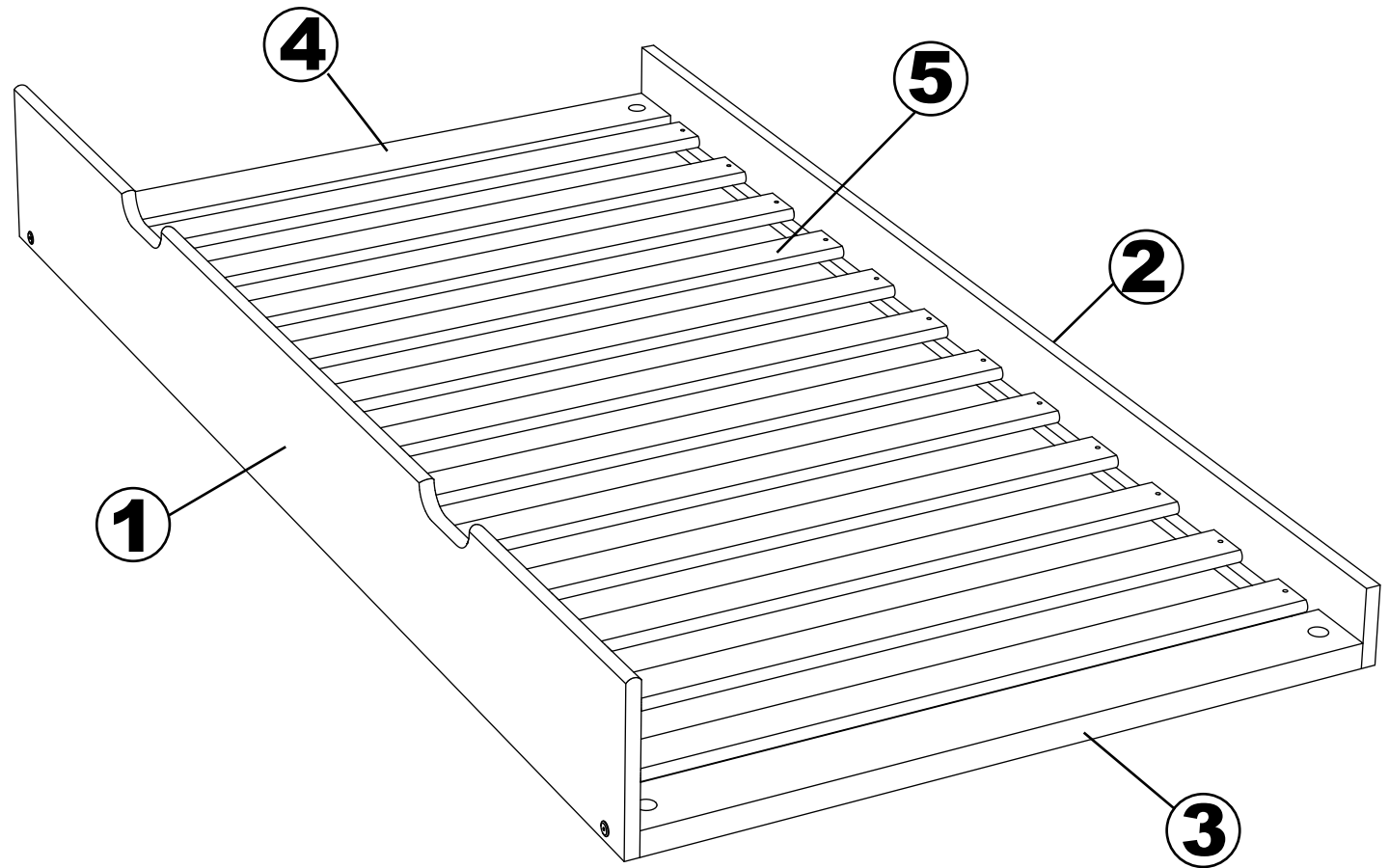
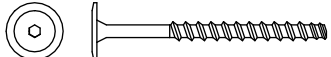

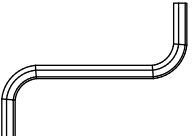
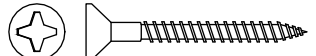
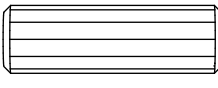
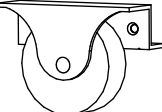


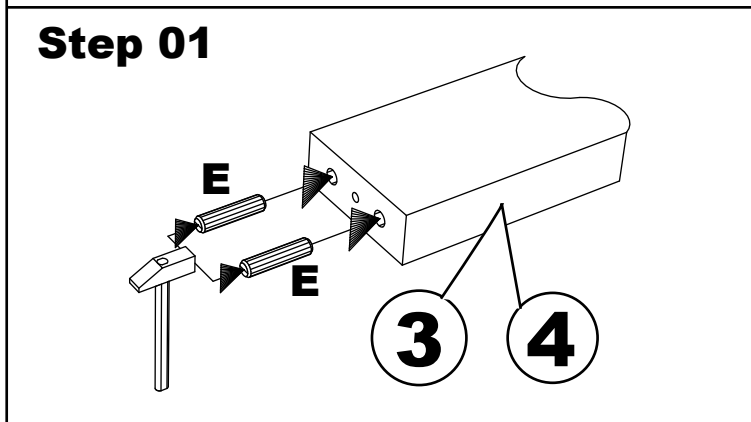
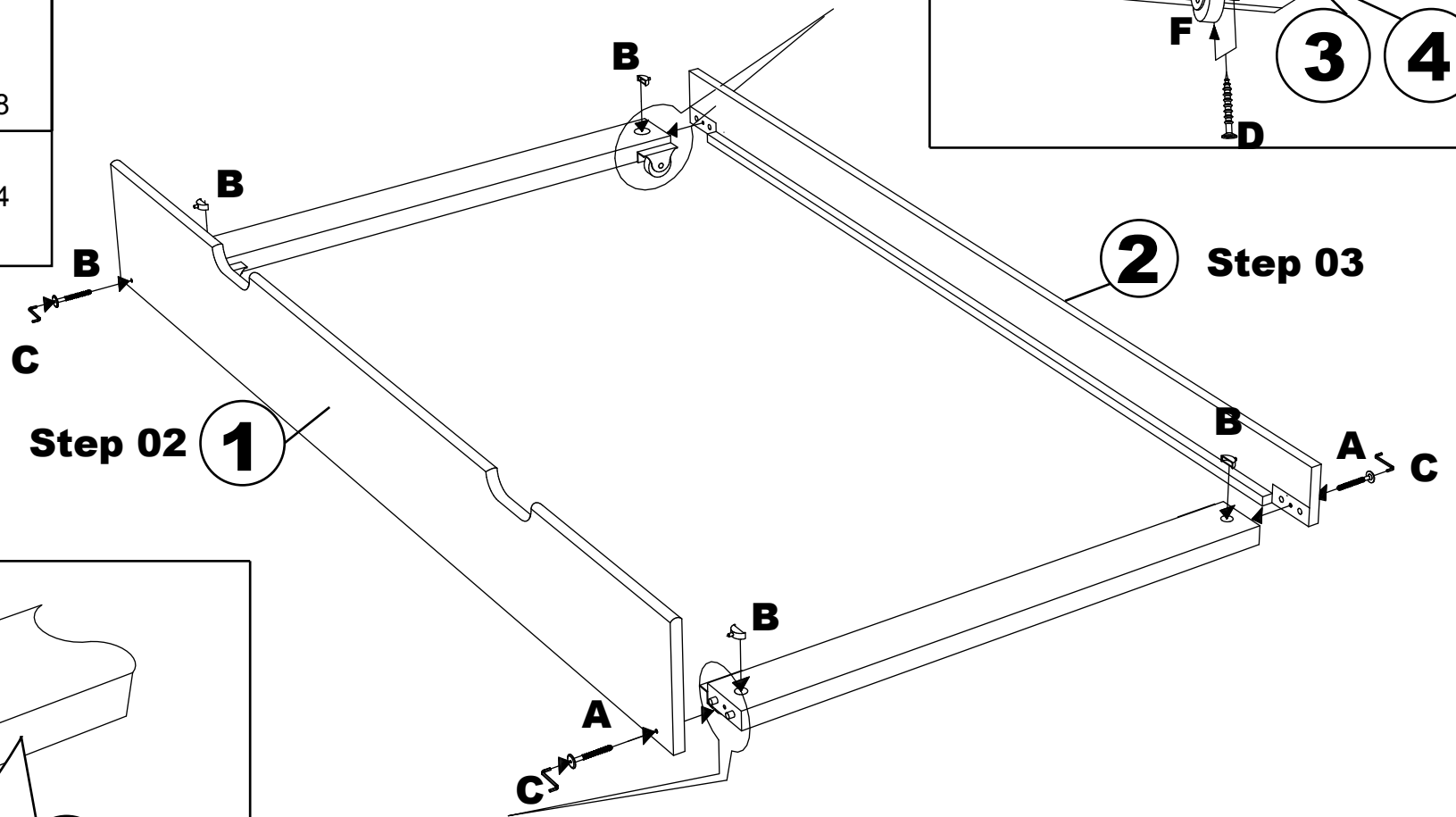
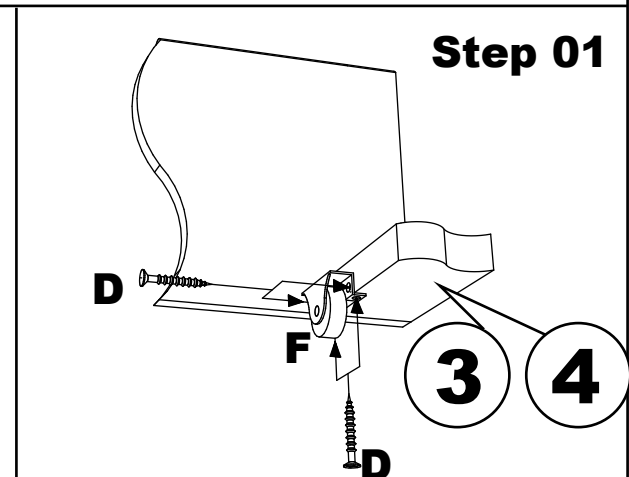
ASSEMBLY INSTRUCTIONS FOR SHAKER TRUNDLE

A	  Ø6 x 70mm Qty: 04
B	 Half Moon Qty: 04
C	 Allen Key Qty: 01
D	  Ø3 x 15mm Qty: 16
E	 Ø 10 x 40mm Qty: 08
F	 Qty: 04
G	 Spacer Qty: 02
H	  Ø4 x 30mm Qty: 24



ASSEMBLY INSTRUCTIONS - SHAKER TRUNDLE

A	 Ø 6 x 70 mm Qty: 04	B	 Half Moon Qty: 04
C	 Allen Key Qty: 01	D	 Ø 3 x 15 mm Qty: 16
E	 Ø 10 x 40mm Qty: 08		
F	 Qty: 04		



ASSEMBLY INSTRUCTIONS - SHAKER TRUNDLE

H



4 x 30mm

Qty: 24

G



Spacer

Qty: 02

STEP 4

