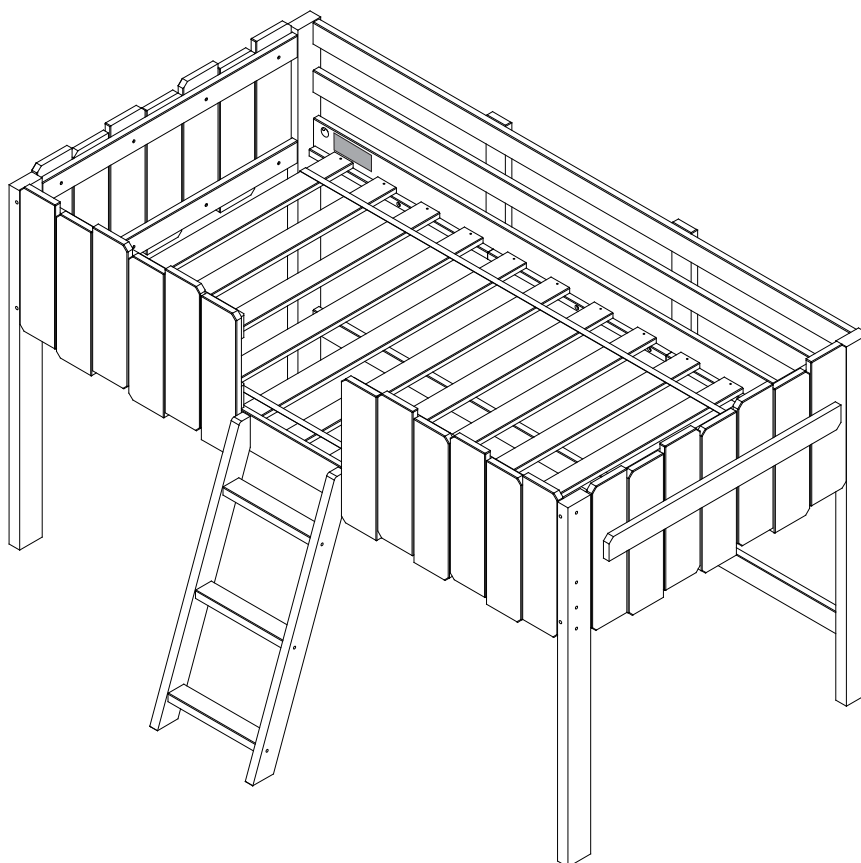


Fort Worth, Texas 76140

ASSEMBLY INSTRUCTIONS

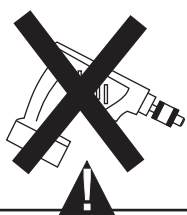
1392 TWIN PICKET FENCE LOW LOFT



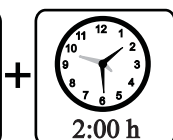
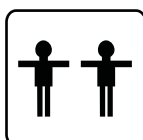
Thank you for purchasing this quality product. Be sure to check all packing material carefully for small parts which may have come loose inside the carton during shipment. Separate, identify and count all parts and hardware.

Compare with the parts list to be sure all parts are present.

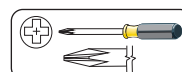
"DO NOT TIGHTEN SCREWS UNTIL COMPLETELY ASSEMBLED"



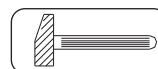
* Use of power tool to assemble this product will invalidate any claim and damage this product making unsafe !!!
* Please assemble on a clean soft surface to avoid damage.



Tools Required



(Not included)

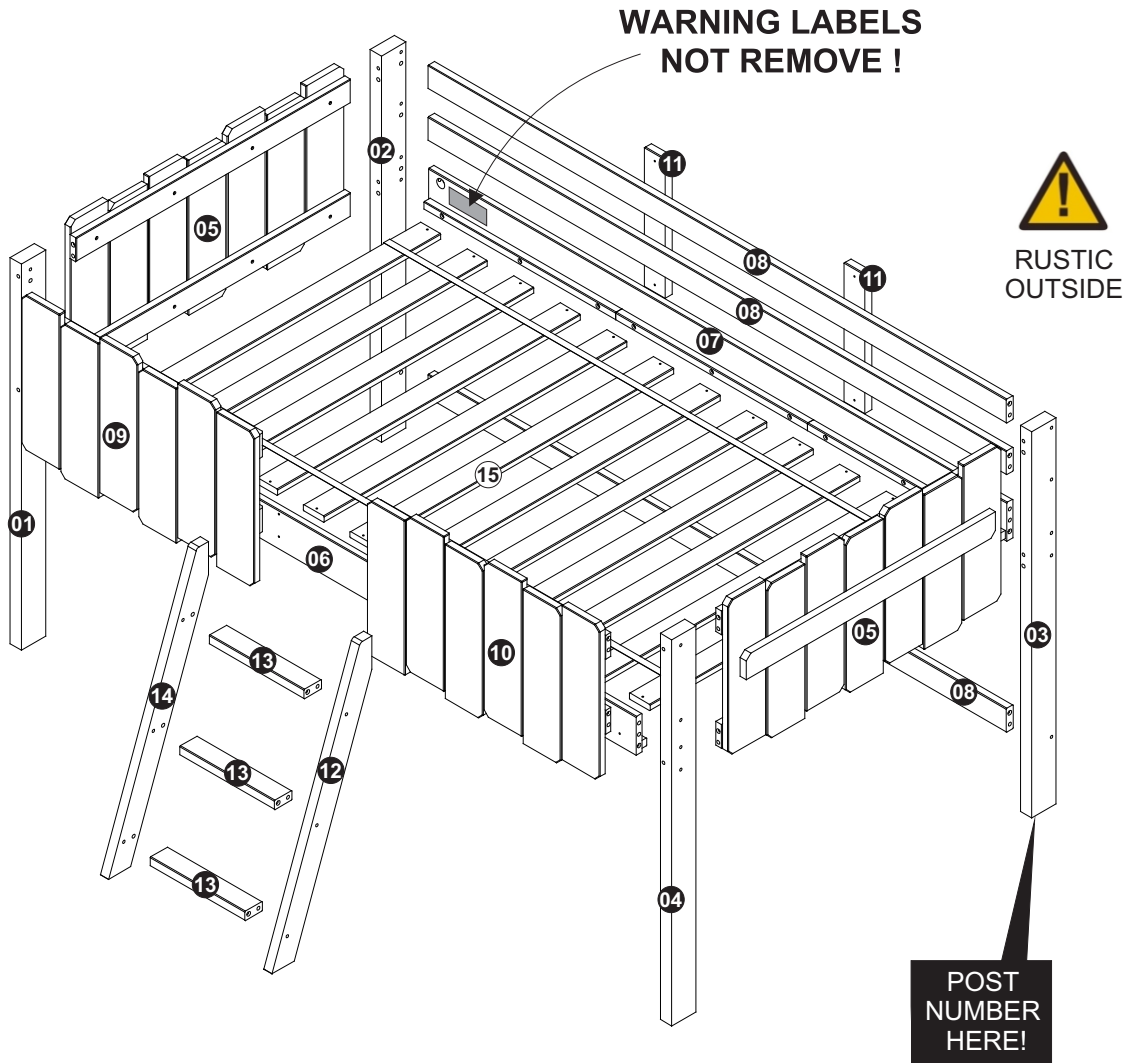


(Not included)

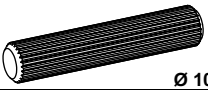






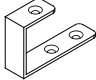




IMPORTANT:

PLEASE READ INSTRUCTION BEFORE STARTING THE ASSEMBLY

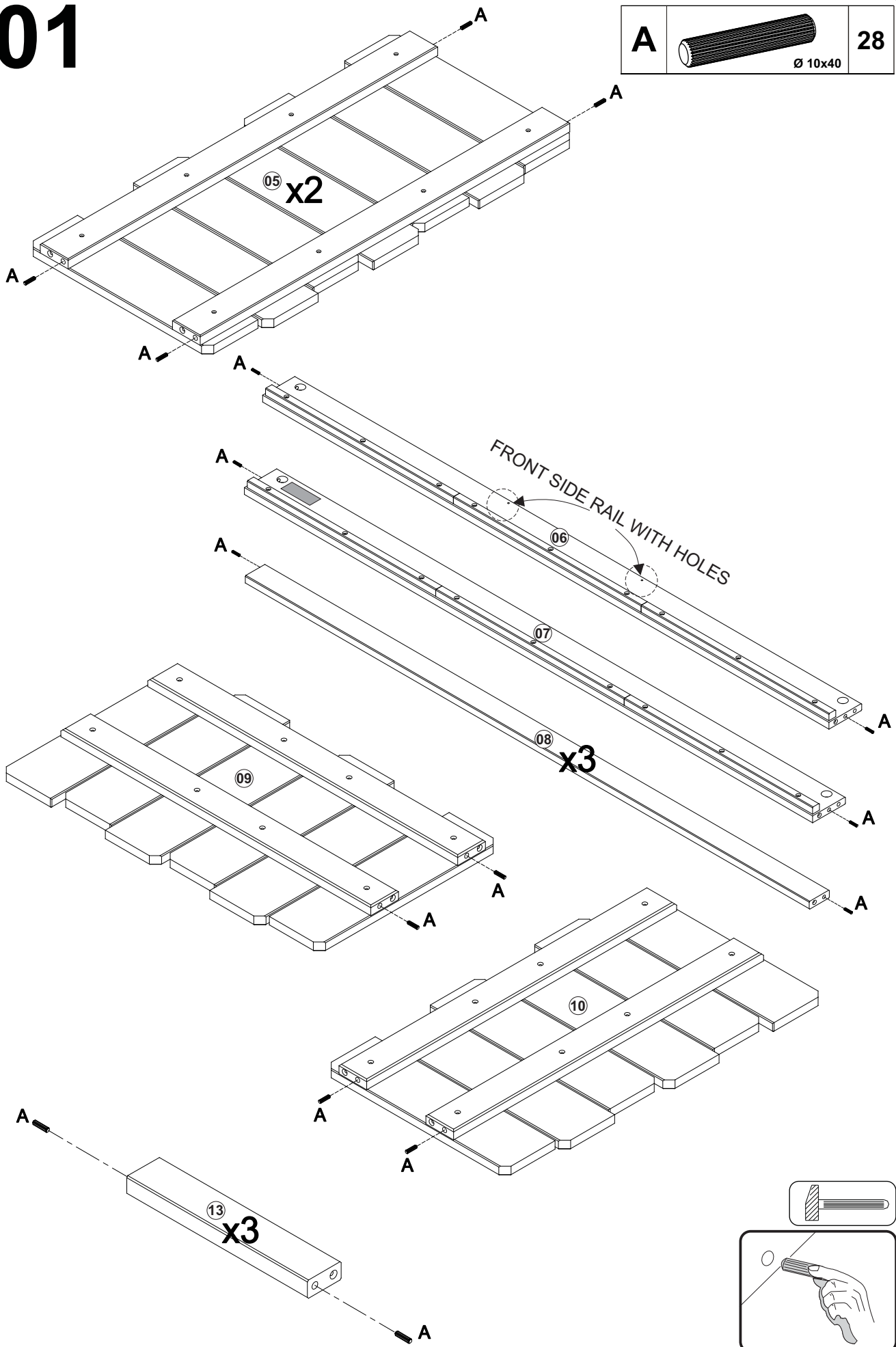
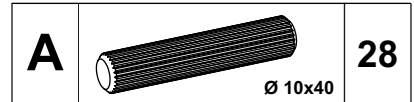
Part List - 1392 TWIN PICKET FENCE LOW LOFT



Identifying the Hardware-Identify the hardware using the illustrations below.

A	 Ø 10x40	28	G		04
B	 Ø 4X30	24	H		01
C	 Ø 3,5X16	06	I	 Ø 7X110 Cab 17	08
D	 Ø 7X60 Cab 17	06	J		02
E	 Ø 1/4X80 Cab 17	04	K	 Protector	02
F	 Ø 7X70 Cab 17	14	L	 Ø 4X35	16

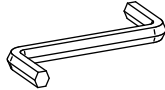

01



02

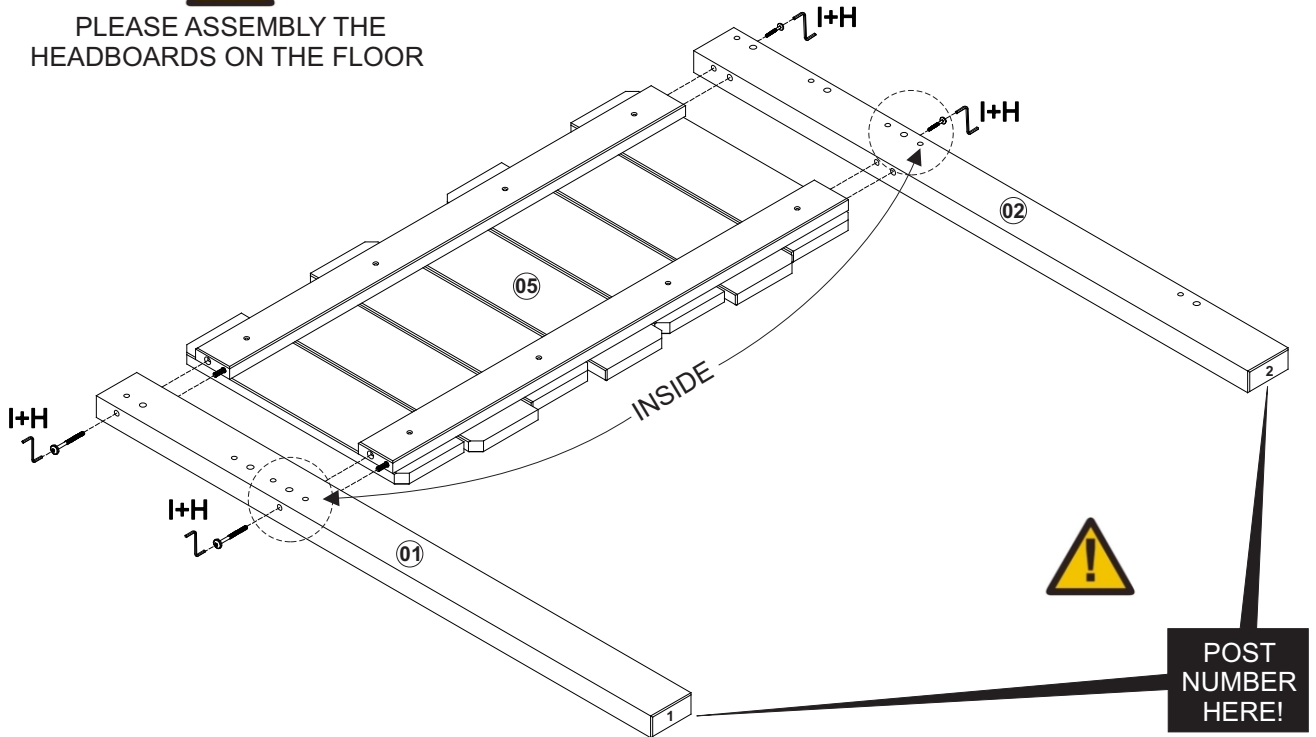


HEADBOARD / FOOTBOARD

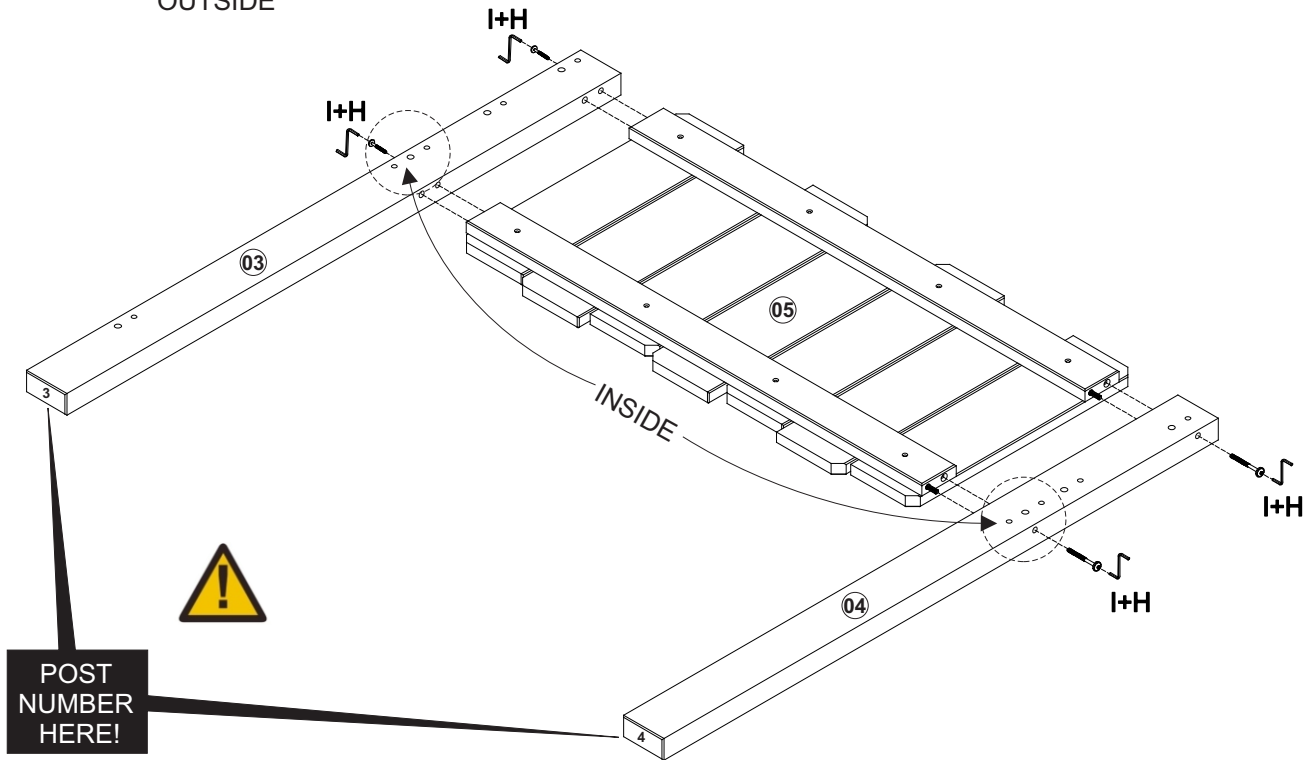
H		01
I	 Ø 7X110 Cab 17	08



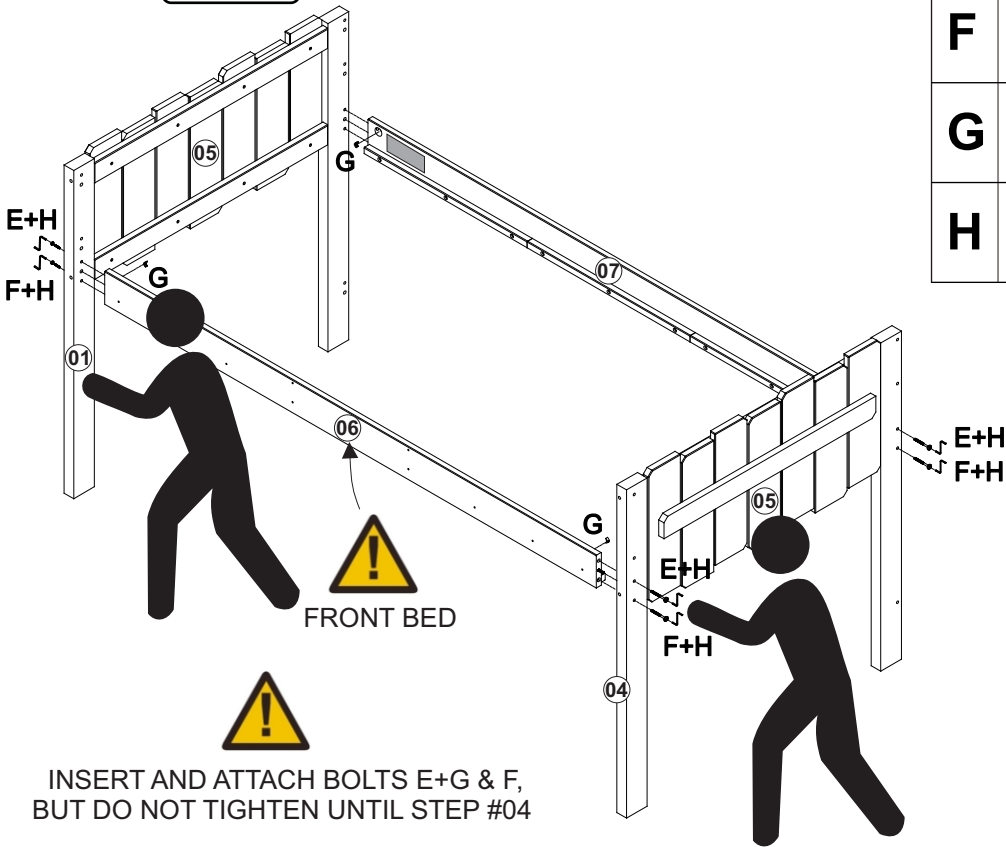
PLEASE ASSEMBLY THE HEADBOARDS ON THE FLOOR



RUSTIC OUTSIDE

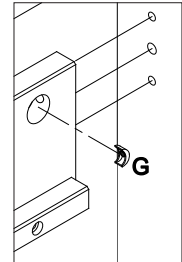


03

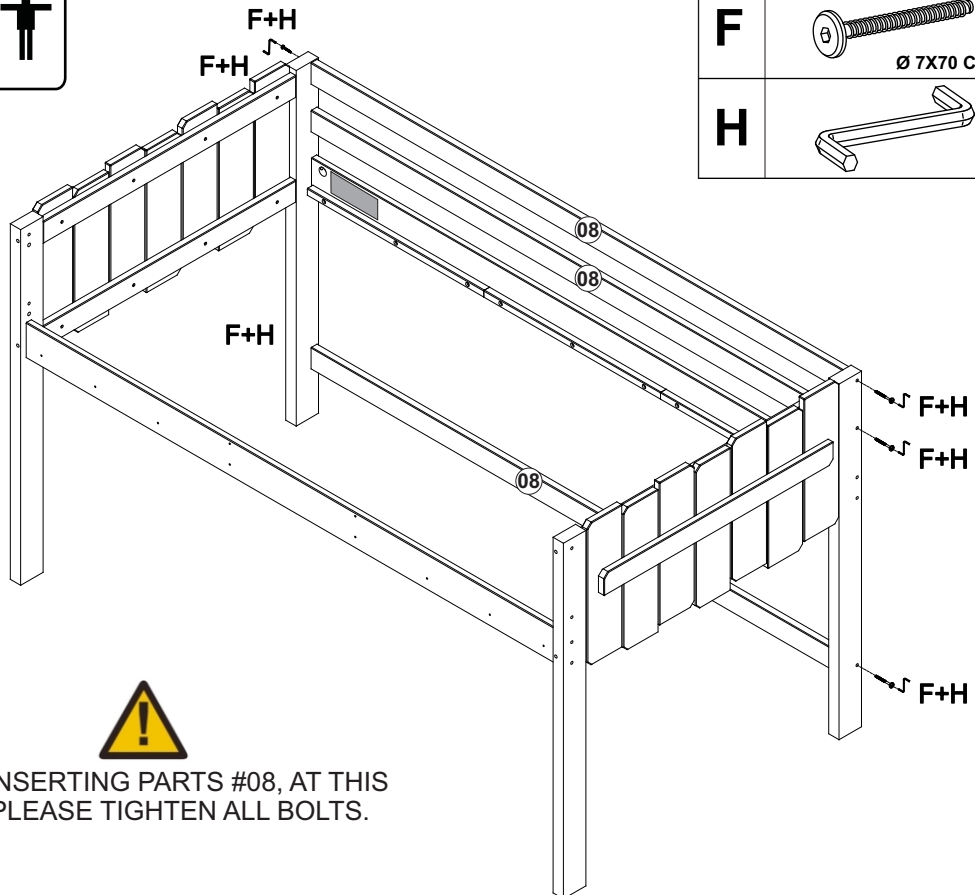


INSERT AND ATTACH BOLTS E+G & F,
BUT DO NOT TIGHTEN UNTIL STEP #04

E		04
F		04
G		04
H		01



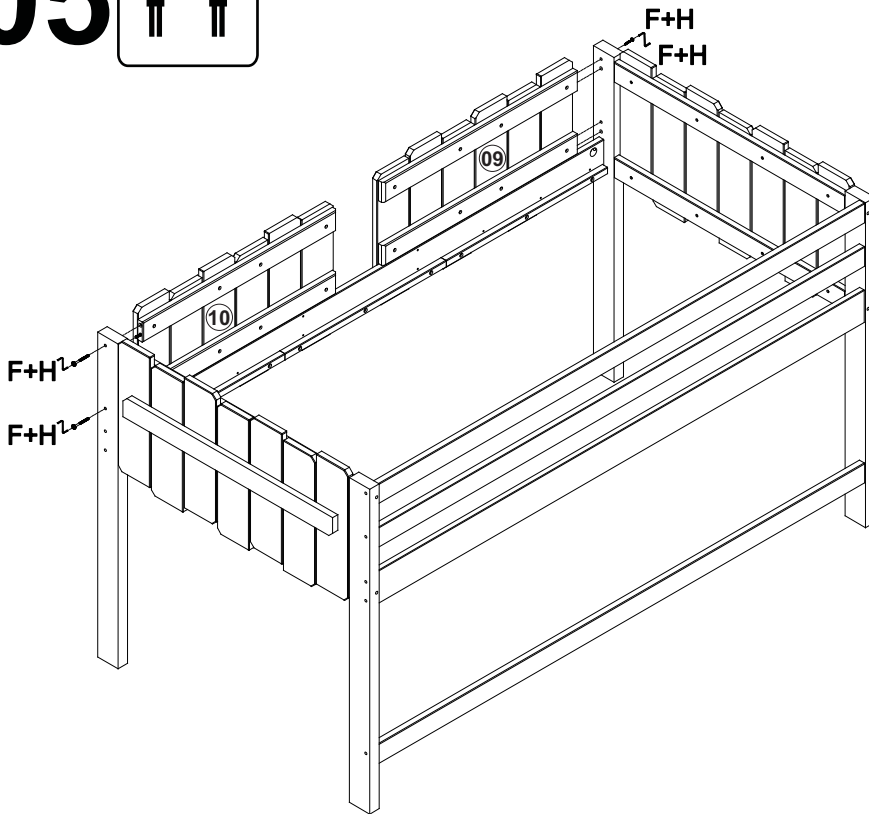
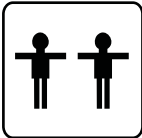
04





AFTER INSERTING PARTS #08, AT THIS
TIME, PLEASE TIGHTEN ALL BOLTS.

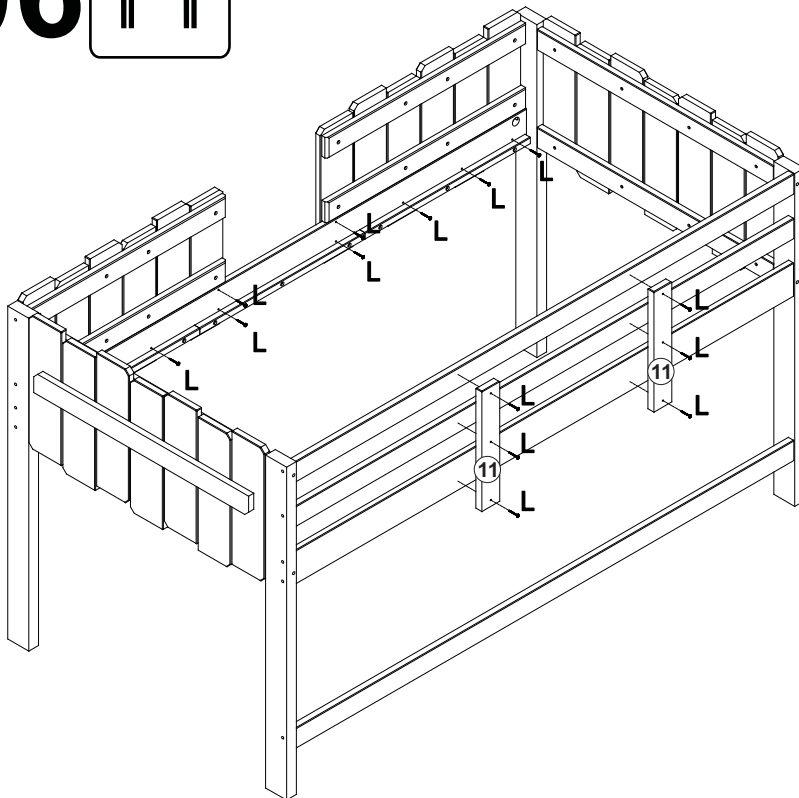
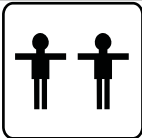
F		06
H		01

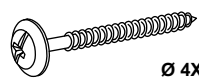
05

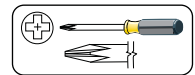


F	 Ø 7X70 Cab 17	04
H		01

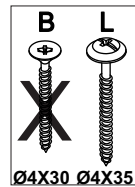
06



L	 Ø 4X35	16
----------	---	-----------



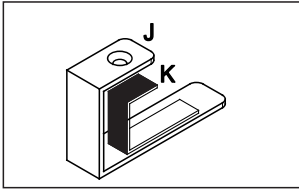
SCREW




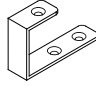
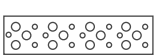


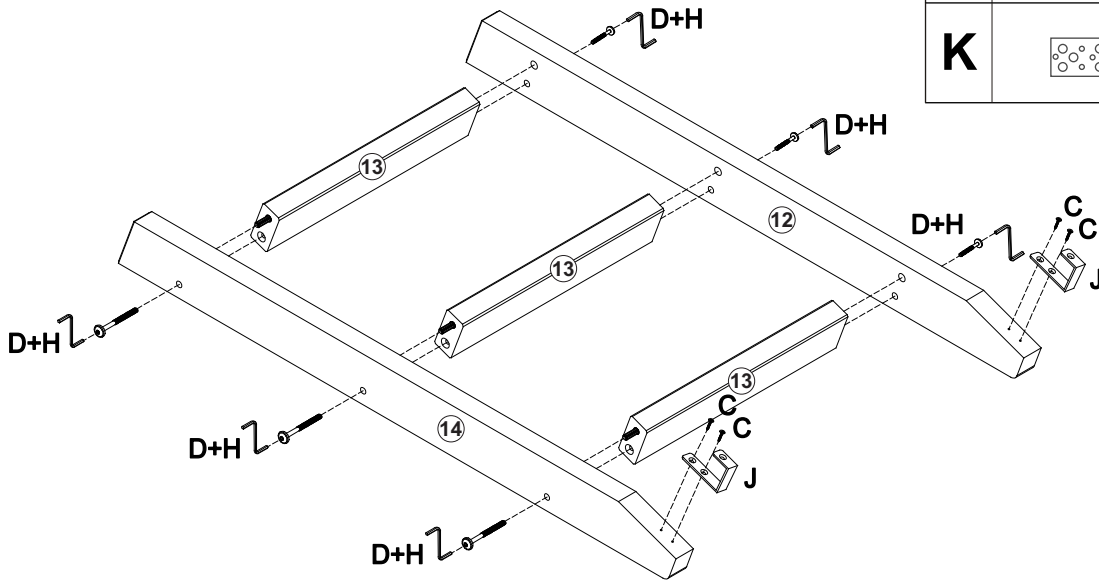
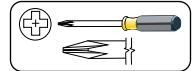
07




LADDER

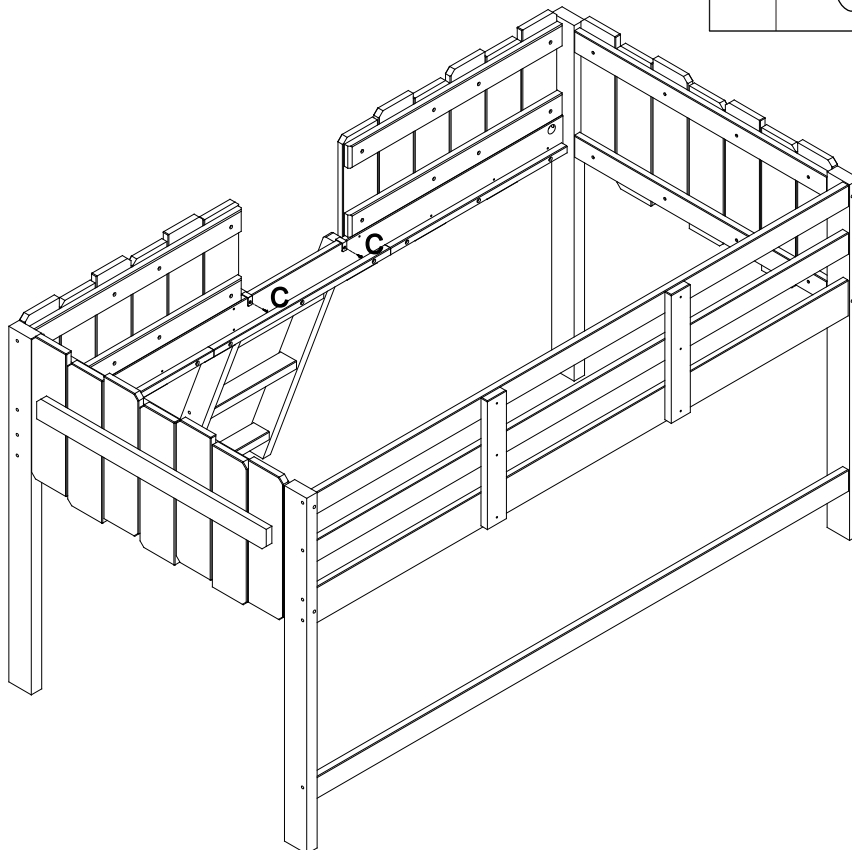
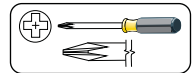


C	 Ø 3,5X16	04
D	 Ø 7X60 Cab 17	06
H		12
J		02
K		01



08


C	 Ø 3,5X16	02
----------	---	-----------

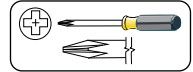


09



SLATS

B		24
Ø 4X30		

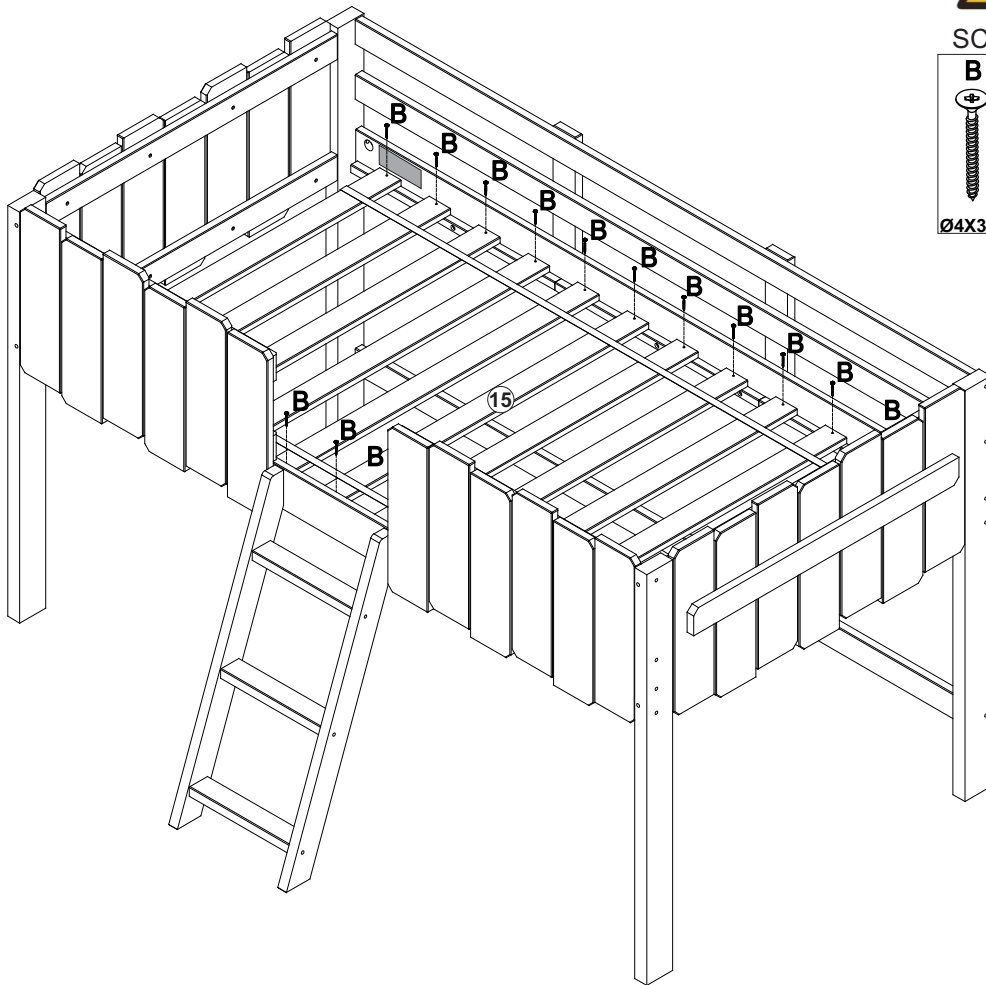
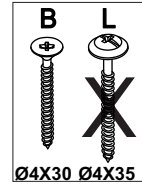


ATTENTION

THERE MUST BE A LEAST 5" INCHES
FROM TOP SURFACE OF MATTRESS TO
TOP EDGE OR GUARDRAILS.
"MATTRESS 9" HIGH LIMITED"



SCREW



"INSTALL SLAT KIT WITH SPACER
TAPE ON TOP (FACING UP)"

