

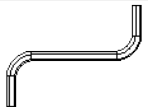
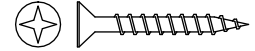
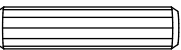
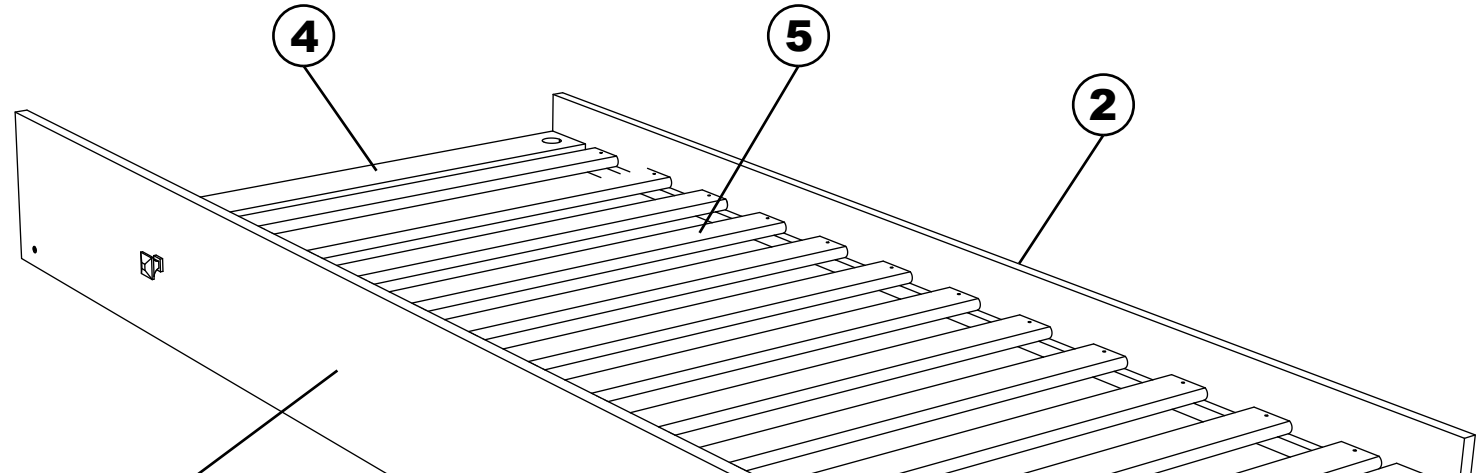
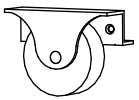
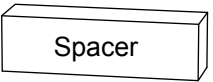


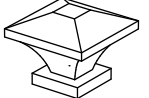
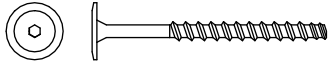

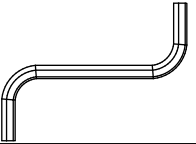
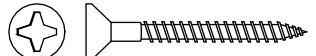
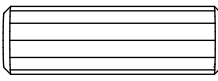
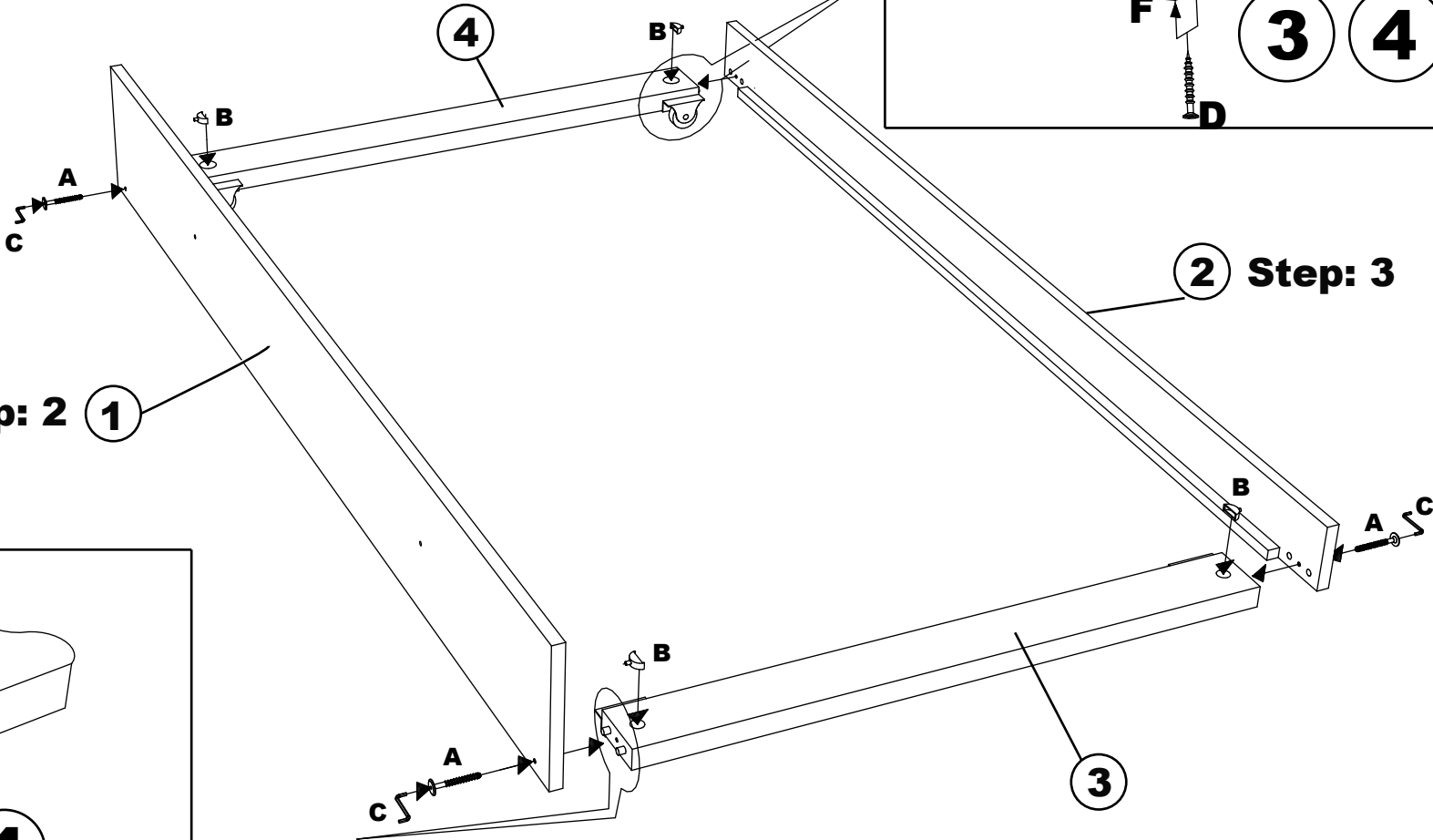
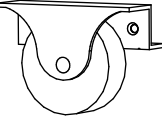
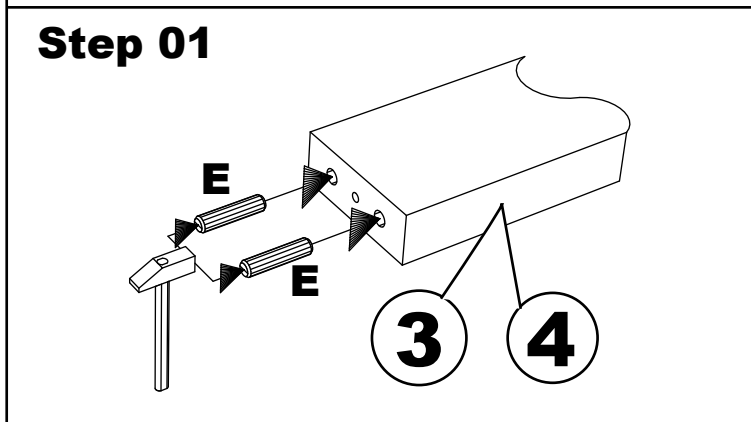
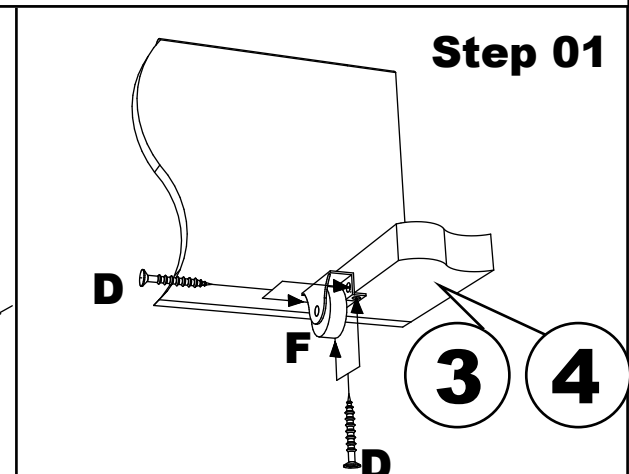


# ASSEMBLY INSTRUCTIONS - SHAKER TRUNDLE CAPPUCCINO

<b>A</b>	 Ø 6 x 70mm Qty: 04	<b>B</b>	 Half Moon Qty: 04	<b>C</b>	 Allen Key Qty: 01	<b>D</b>	 Ø 3 x 15mm Qty: 16
<b>E</b>	 Ø 10 x 40mm Qty: 08						
<b>F</b>	 Qty: 04						
<b>G</b>	 Qty: 02						
<b>H</b>	 Ø 4 x 30mm Qty: 24						
<b>I</b>	 Ø 4 x 30mm Qty: 02						
<b>J</b>	 Qty: 02						

# ASSEMBLY INSTRUCTION - SHAKER TRUNDLE CAPPUCCINO

<b>A</b>	 Ø 6 x 70 mm Qty: 04	<b>B</b>	 Half Moon Qty: 04
<b>C</b>	 Allen Key Qty: 01	<b>D</b>	 Ø 3 x 15 mm Qty: 16
<b>E</b>	 Ø 10 x 40mm Qty: 08		
<b>F</b>	 Qty: 04		



**2 Step: 3**

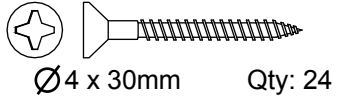
**Step: 2 1**

**3**

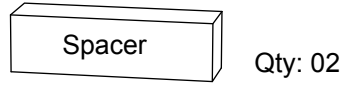
**3 4**

# ASSEMBLY INSTRUCTIONS - SHAKER TRUNDLE CAPPUCCINO

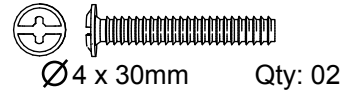
**G**



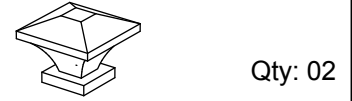
**H**



**I**



**J**



## Step: 4

