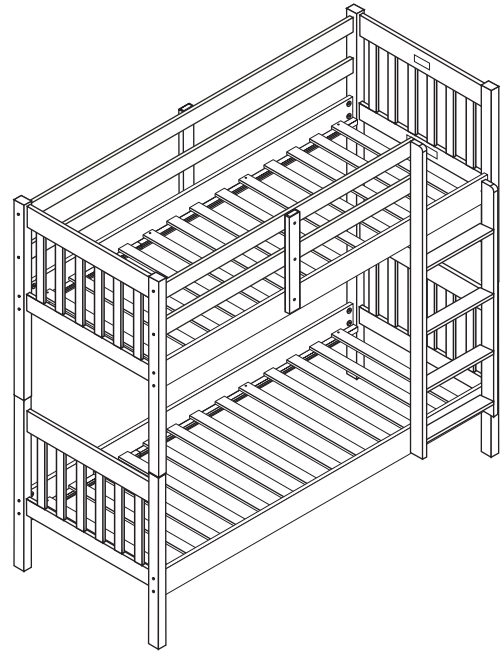


ASSEMBLY INSTRUCTIONS

1010-3 TWIN TWIN MISSION BUNK BED

Thank you for purchasing this quality product. Be sure to check all packing materials carefully for small parts which may have come loose inside the carton during shipment. Separate, identify and count all parts and hardware. Compare with the parts list to be sure all parts are present.



**“DO NOT TIGHTEN SCREWS
UNTIL COMPLETELY ASSEMBLED”**

SIZE OF MATTRESS AND FOUNDATION (SUPPORT)

This bed is designed to use a twin mattress (37½”-38½”x74-75”) and bunkie board (37½”x74”). The total thickness must not exceed **9”** inches. Do not use mattress without the proper bunkie board of safe foundation.

Note: There must be at least **5”** inches from top surface of mattress to top edge or guardrails.

REPLACEMENT PARTS.

Replacement parts, including additional guardrails, may be obtained from place of purchase or original distributor.

TO OBTAIN PARTS ,PLEASE CONTACT: **DONCO TRADING COMPANY - FORT WORTH, TEXAS**

SAFETY WARNINGS!

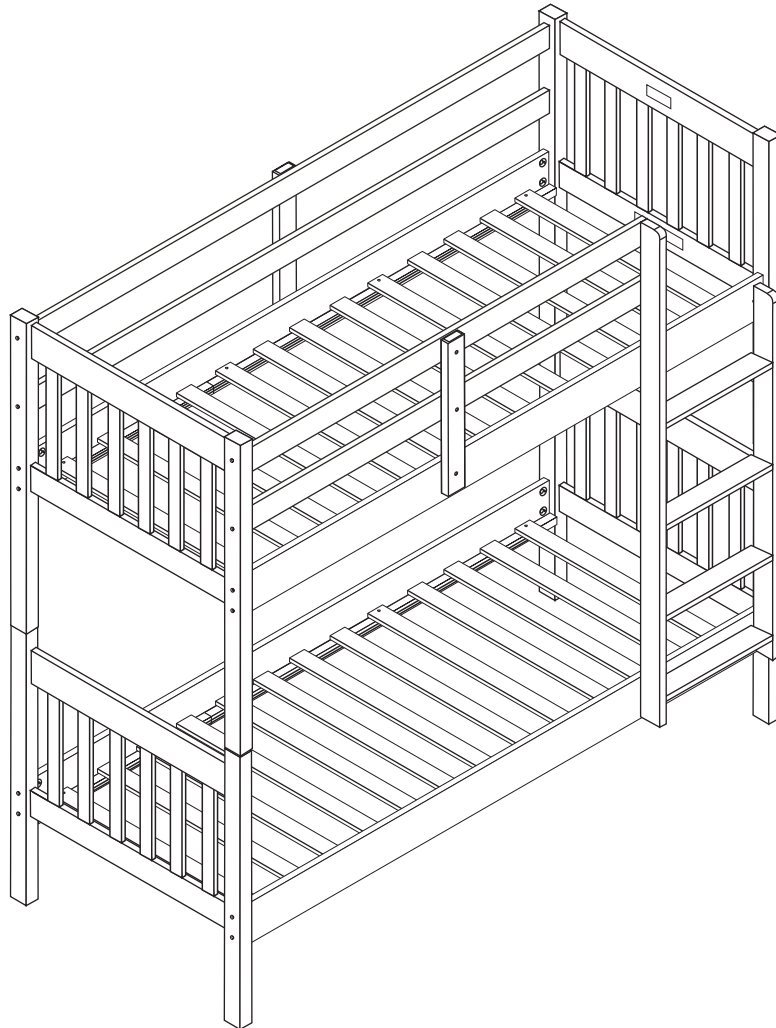
- 1- Follow the information on the warning label appearing on the upper bunk end structure and on the carton. Do not remove warning label from bed.
- 2- Always use the recommended size mattress or mattress support, or both, to help prevent the likelihood of entrapment or falls.
- 3- Surface of mattress must be at least 5 inches below the upper edge of guardrails.
- 4- Do not allow children under 6 years of age to use the upper bunk.
- 5- Prohibit more than one person on upper bunk.
- 6- Periodically check and ensure that the guardrail, ladder and other components are in their proper position free from damage, and that all connectors are tight.
- 7- Do not allow horseplay on or under the bed and prohibit jumping on the bed.
- 8- Always use the ladder for entering and leaving the upper bunk.
- 9- Do not use substitute parts. Contact distributor or dealer for replacement parts.
- 10- Use of a night light may provide added safety precaution for a child using the upper bunk.
- 11- If the bunk bed will be placed next to a wall, the guardrail that runs the full length of the bed should be placed against the wall to prevent entrapment between the bed and the wall.
- 12- Always use guardrails on both long sides of the upper bunk.
- 13- The use of water or sleep flotation mattresses is prohibited.
- 14- Keep these instructions for future reference.
- 15- Strangulation Hazard - Never attach or hang items to any part of the bunk bed that are not designed for use with the bed: for example, but not limited to, hooks, belts, and jump ropes, etc.



IMPORTANT: PLEASE READ INSTRUCTIONS BEFORE STARTING THE ASSEMBLY

ASSEMBLY INSTRUCTIONS

1010-3 TWIN TWIN MISSION BUNK BED



Thank you for purchasing this quality product. Be sure to check all packing material carefully for small parts which may have come loose inside the carton during shipment. Separate, identify and count all parts and hardware. Compare with the parts list to be sure all parts are present.
"DO NOT TIGHTEN SCREWS UNTIL COMPLETELY ASSEMBLED"

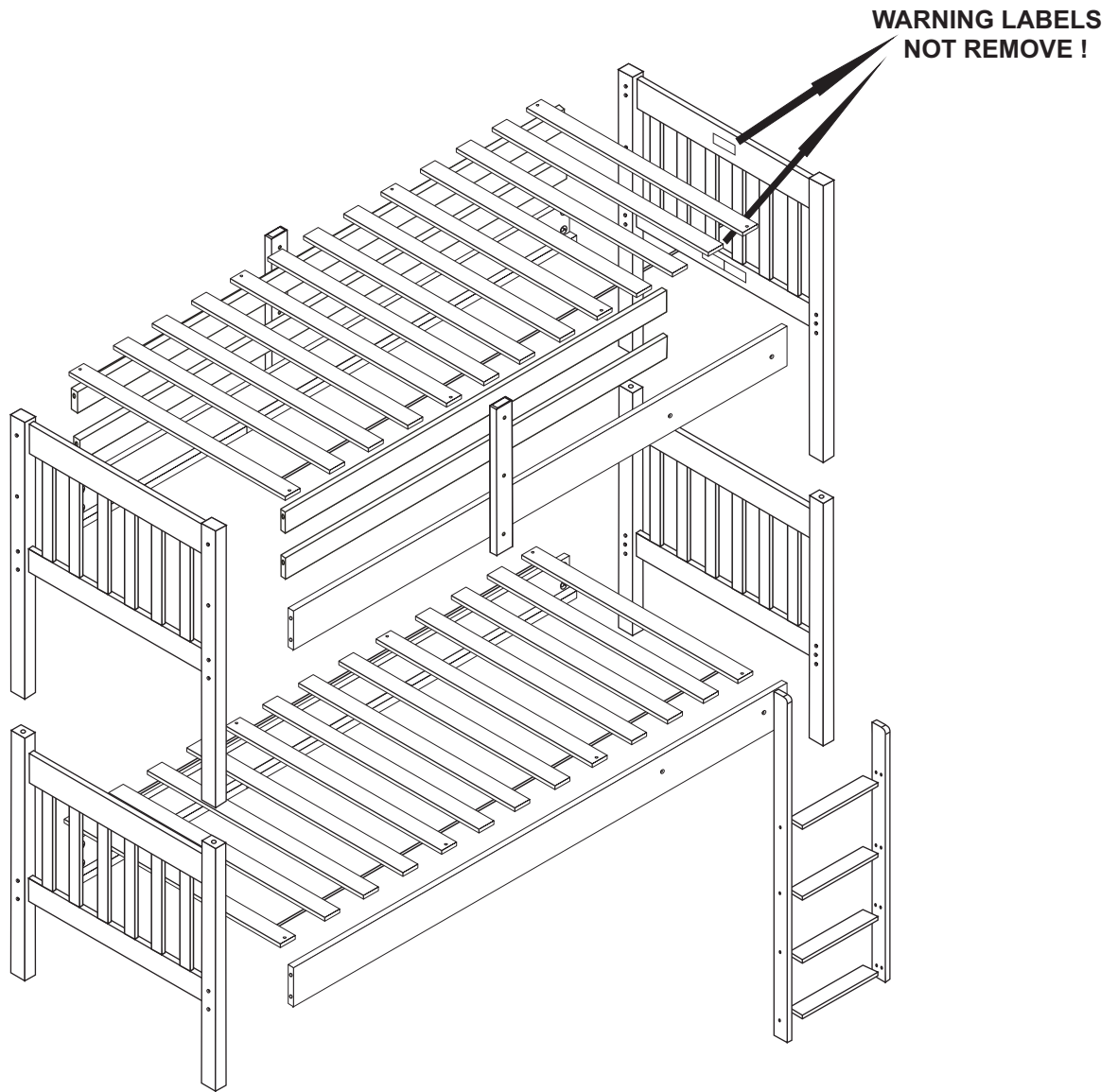


Tool Required

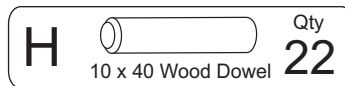
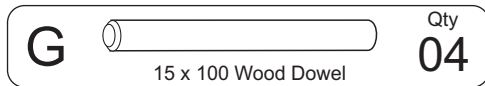
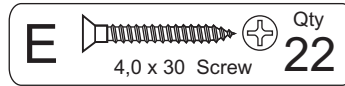
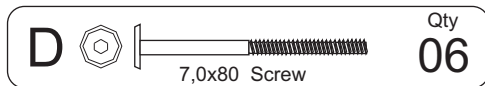
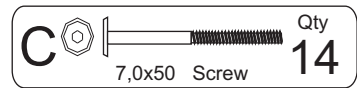
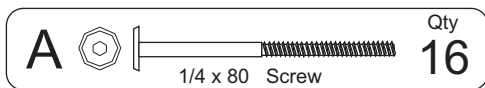


(Phillips Key) (Hammer)
(Not Includ) (Not Includ)

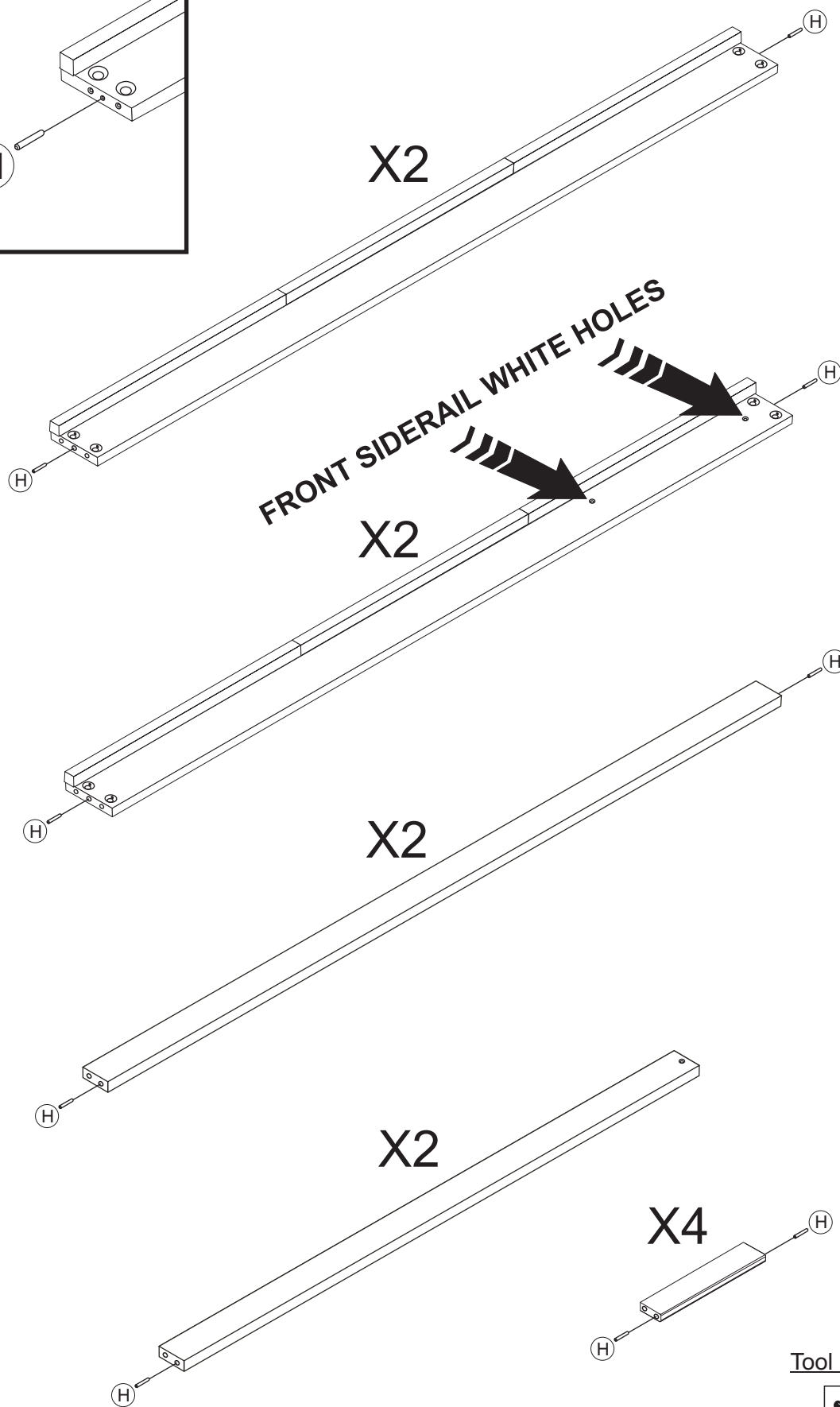
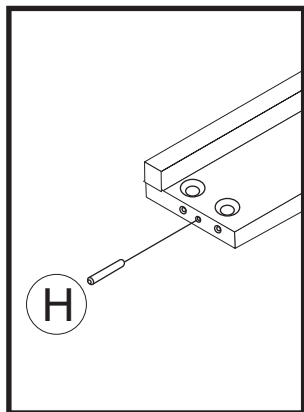
IMPORTANT:
PLEASE READ INSTRUCTION BEFORE STARTING THE ASSEMBLY



Identifying the Hardware/part list - Identify the hardware using the illustrations below.

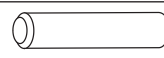


01



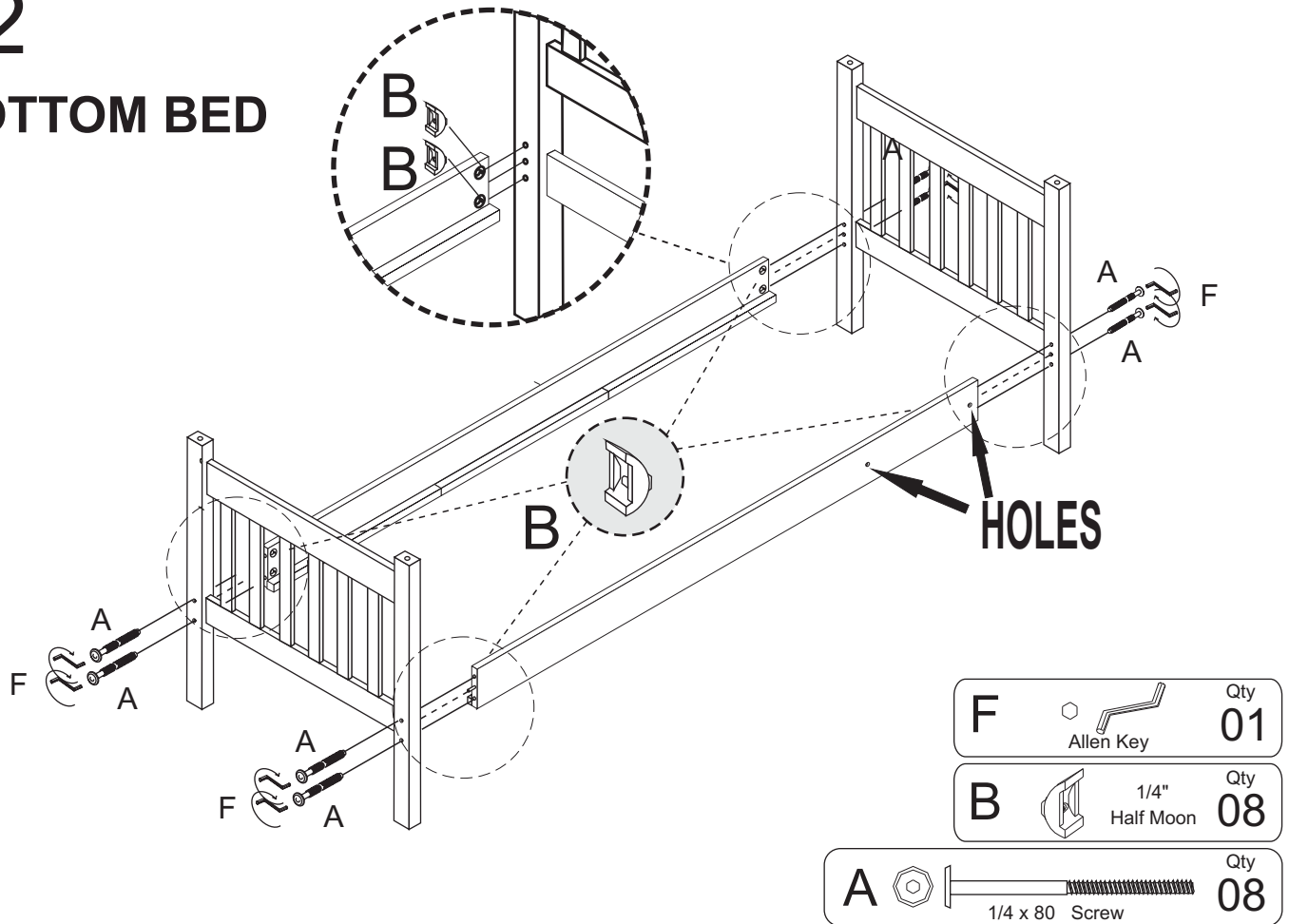
Tool Required



H		Qty
	10 x 40 Wood Dowel	22

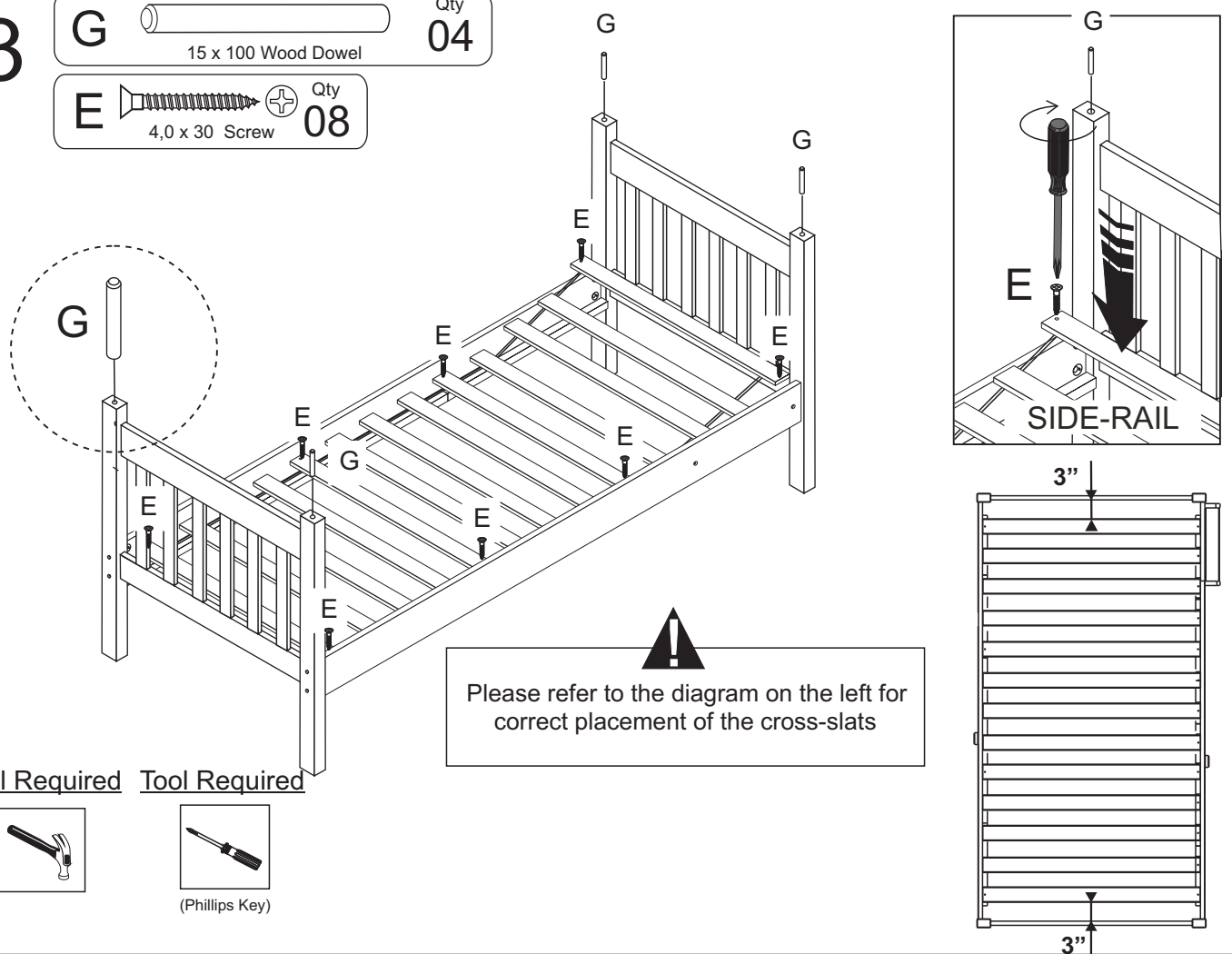
02

BOTTOM BED



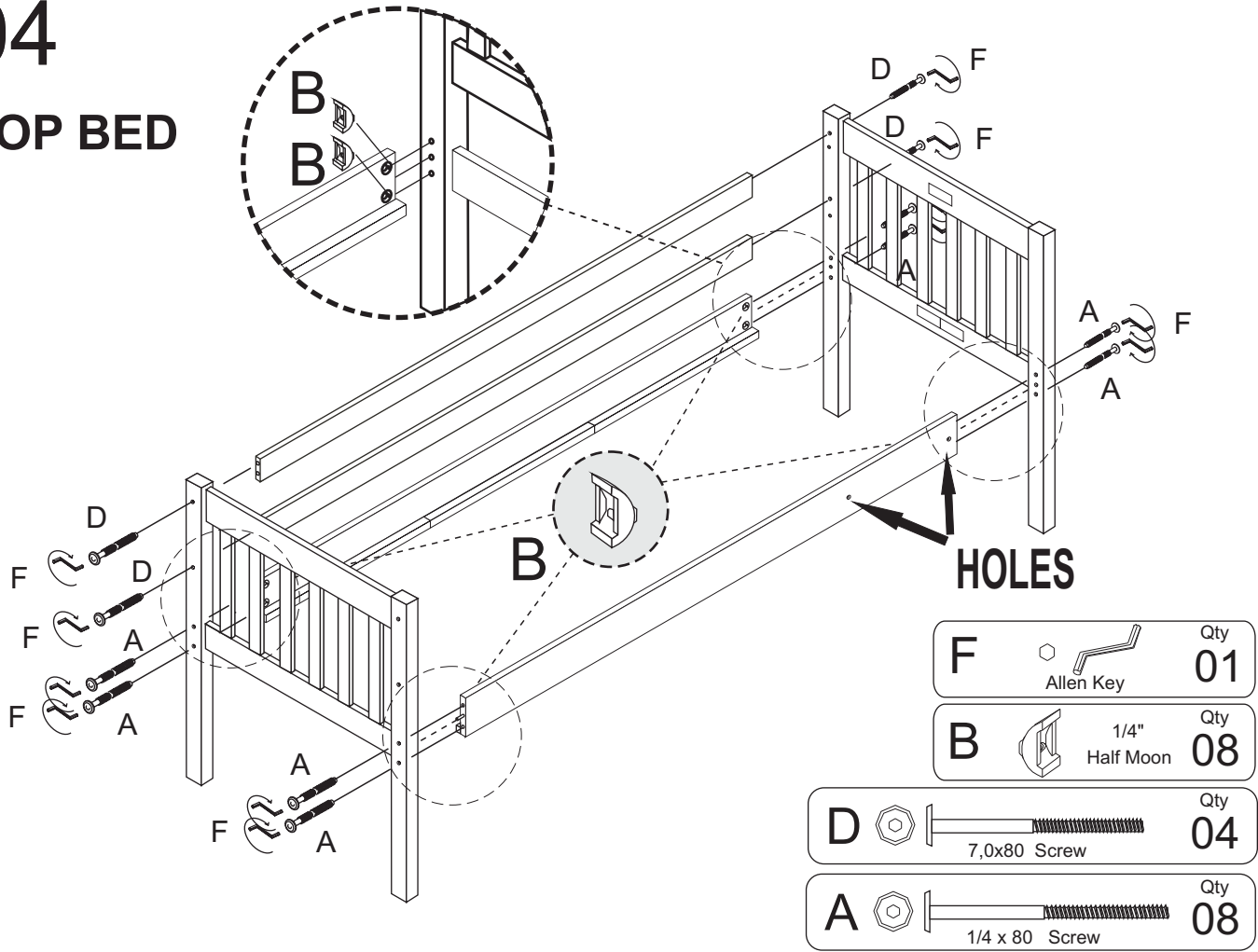
03

- G** 15 x 100 Wood Dowel Qty 04
- E** 4,0 x 30 Screw Qty 08



04

TOP BED



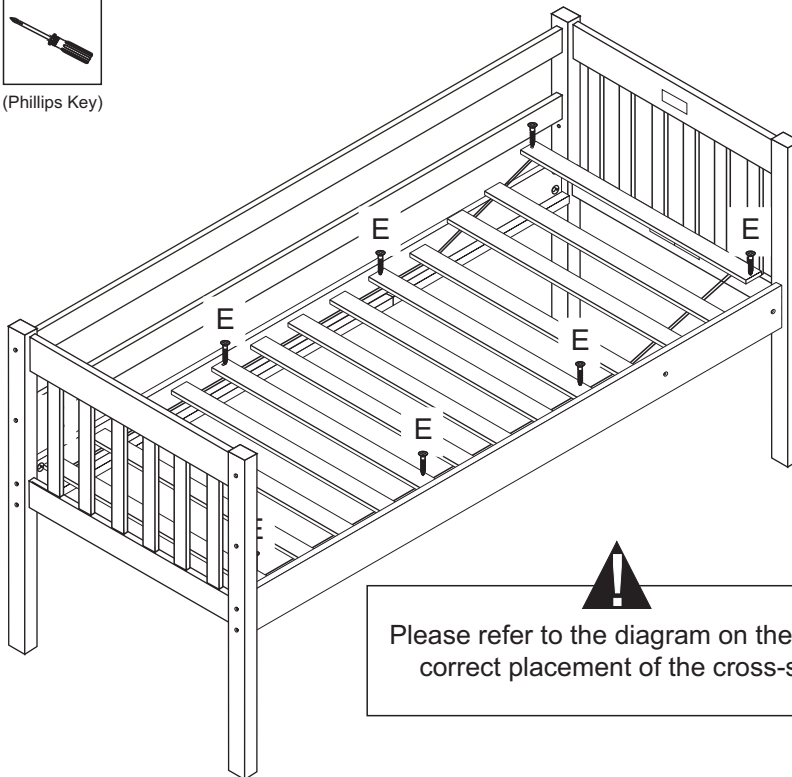
05

E		Qty 08
---	--	--------

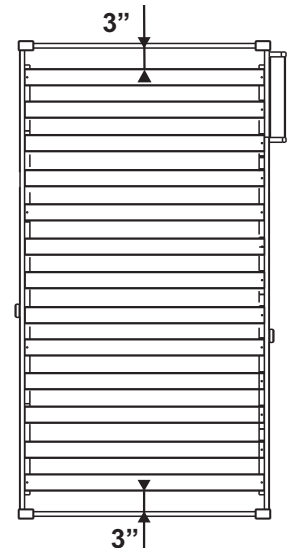
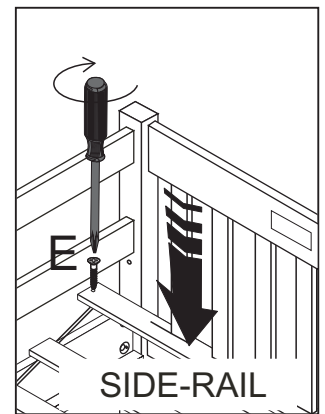
Tool Required



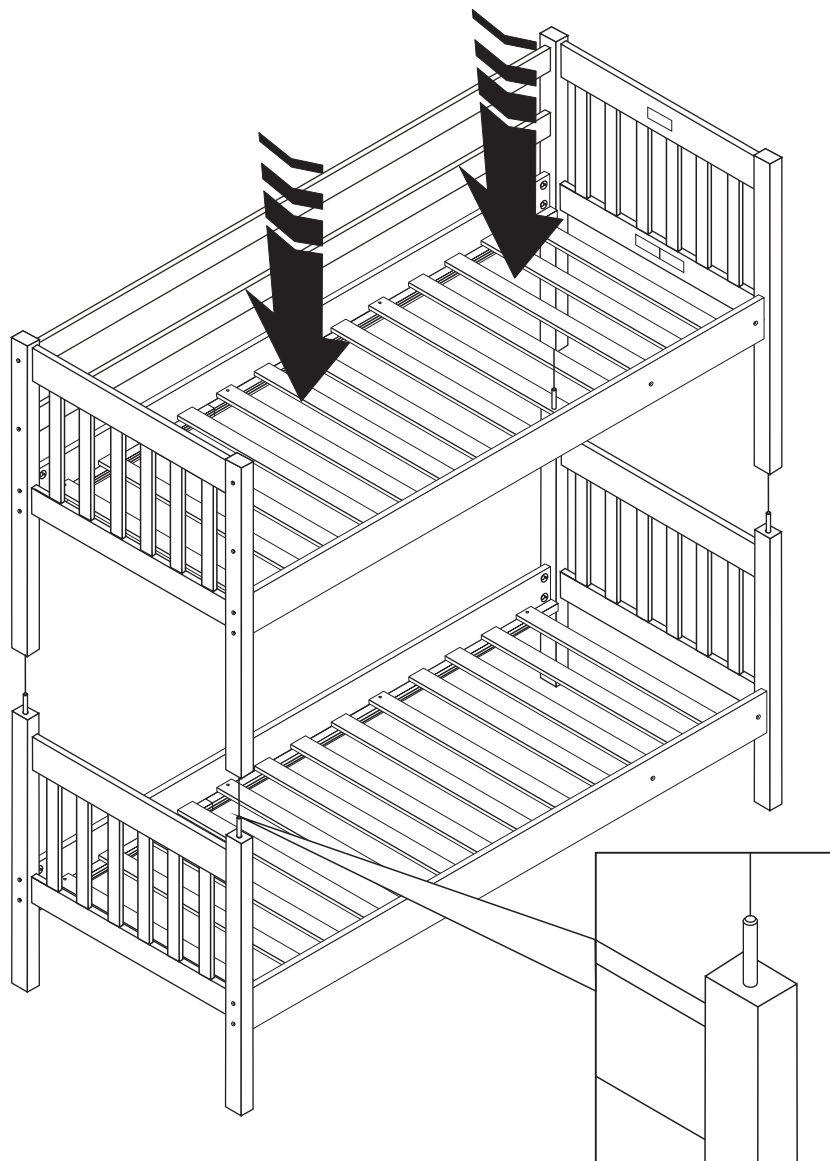
(Phillips Key)



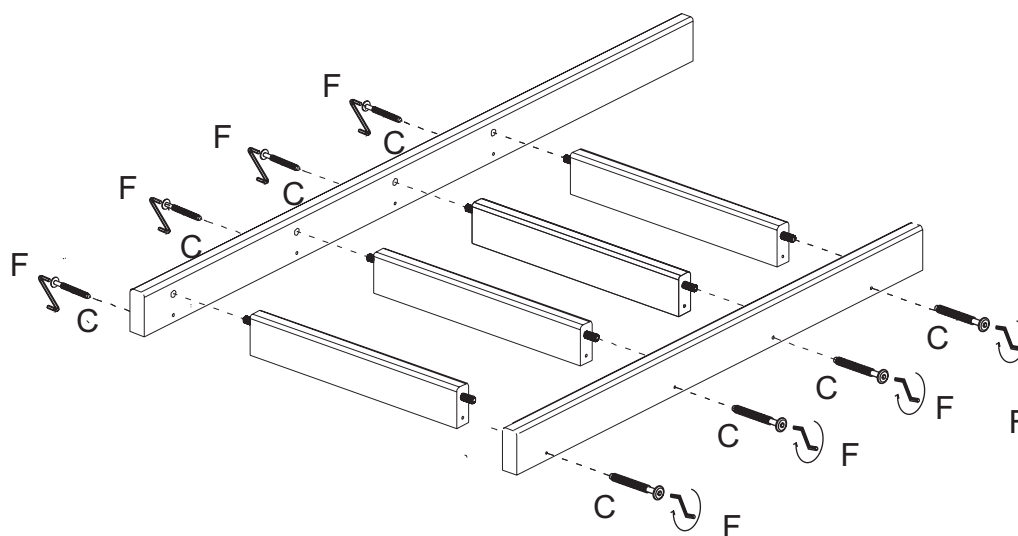
⚠
Please refer to the diagram on the left for correct placement of the cross-slats




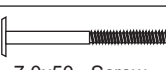
06



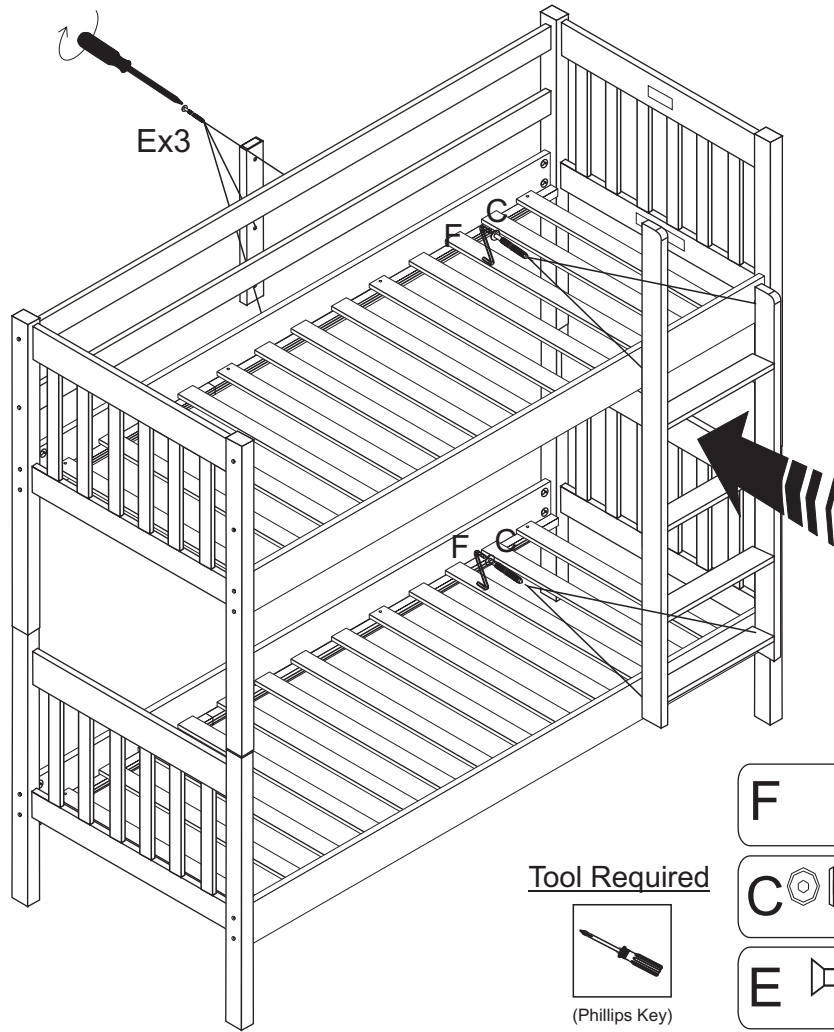
07



F		Qty
	Allen Key	01

C		Qty
	7,0x50 Screw	08

08



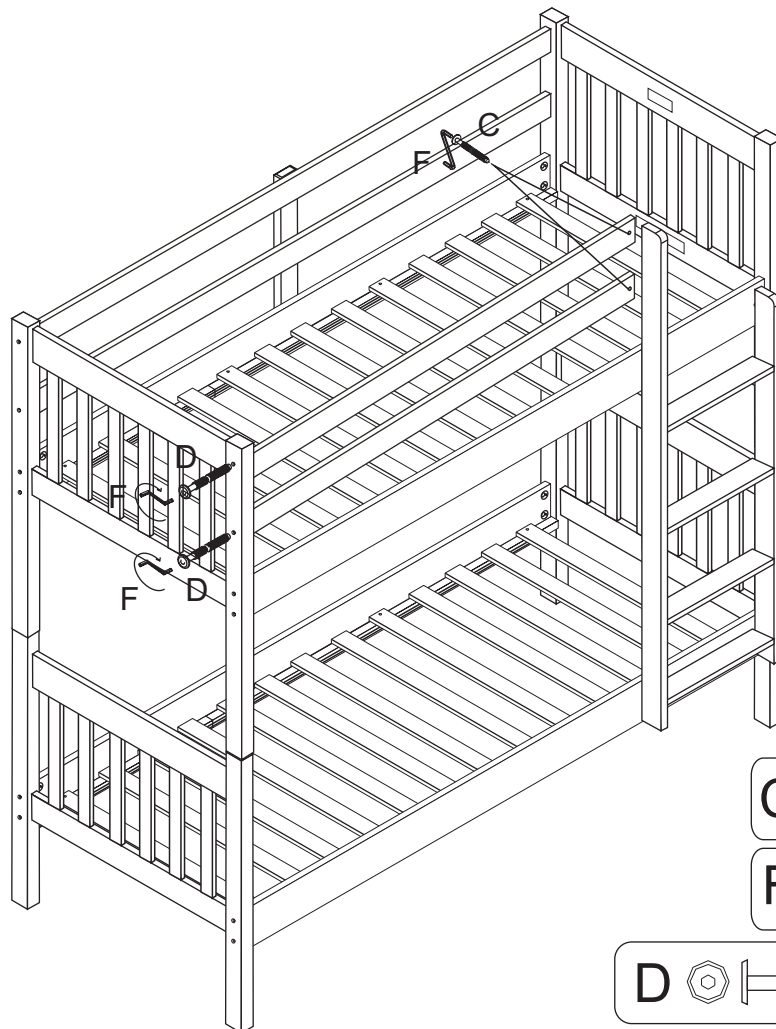
Tool Required



(Phillips Key)

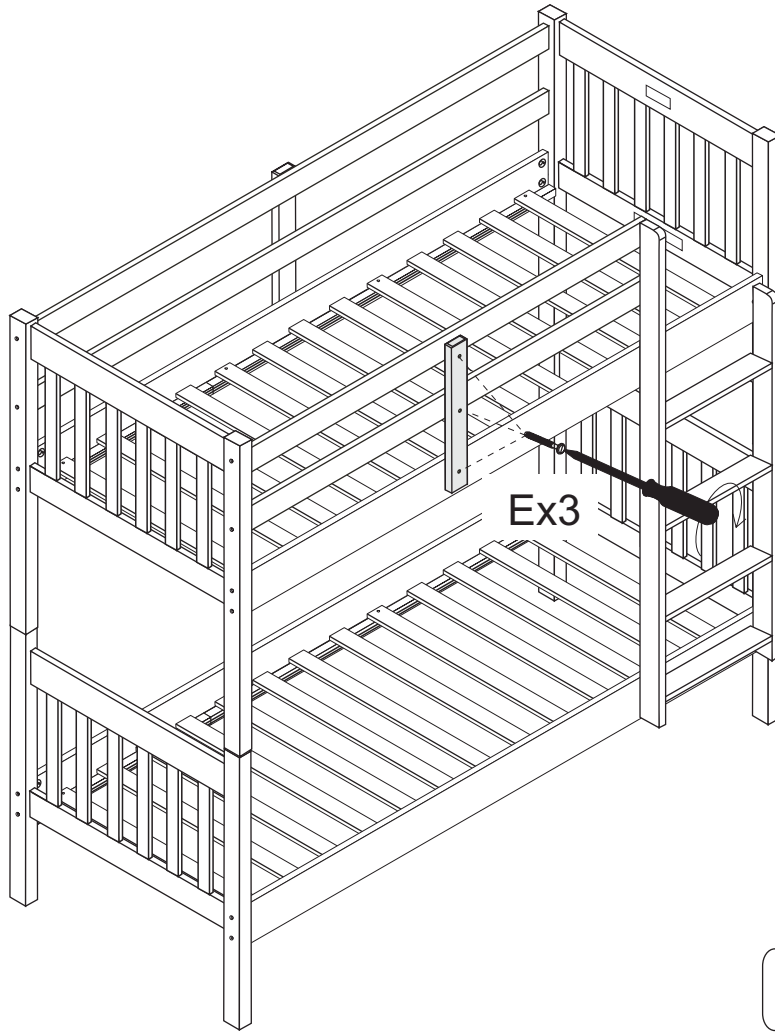
F		Qty 01
C		Qty 04
E		Qty 03

09



C		Qty 02
F		Qty 01
D		Qty 02



10



Tool Required



(Phillips Key)

E   Qty **03**
4,0 x 30 Screw

