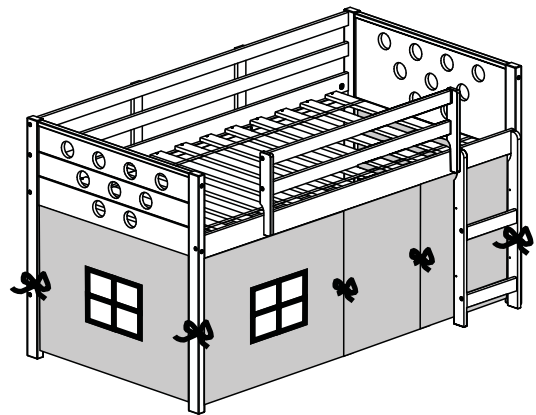
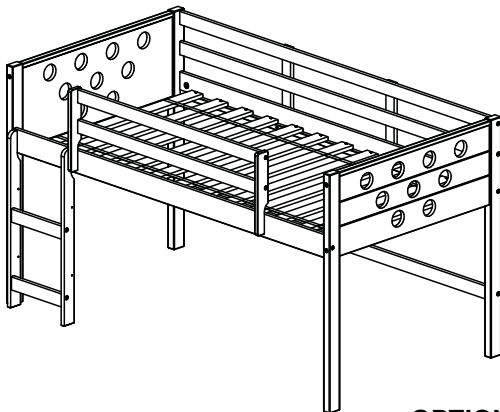
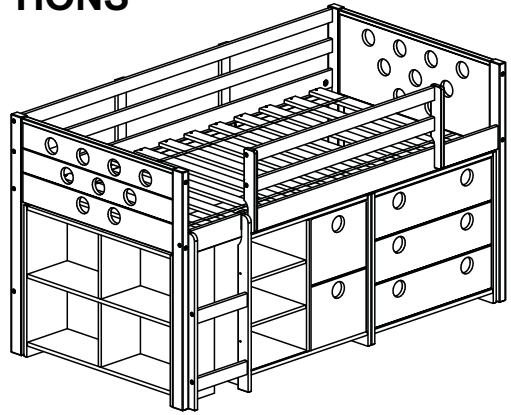
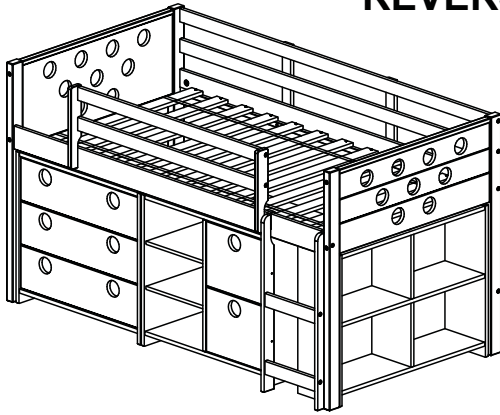


Fort Worth, Texas 76140

## ASSEMBLY INSTRUCTIONS

### 780 LOW LOFT BED CIRCLES

#### REVERSIBLE OPTIONS



#### OPTIONAL COMPONENTS

3 DRAWERS CHEST CIRCLES

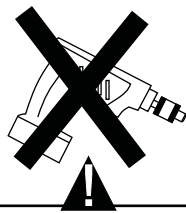
2 DRAWERS CHEST CIRCLES

BOOKCASE

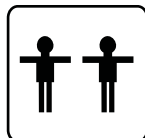
Thank you for purchasing this quality product. Be sure to check all packing material carefully for small parts which may have come loose inside the carton during shipment. Separate, identify and count all parts and hardware.

Compare with the parts list to be sure all parts are present.

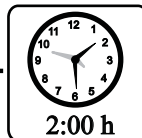
**"DO NOT TIGHTEN SCREWS UNTIL COMPLETELY ASSEMBLED"**



\* Use of power tool to assemble this product will invalidate any claim and damage this product making unsafe !!!  
\* Please assemble on a clean soft surface to avoid damage.

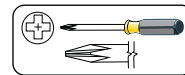


+

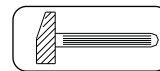


2:00 h

#### Tools Required



(Not included)

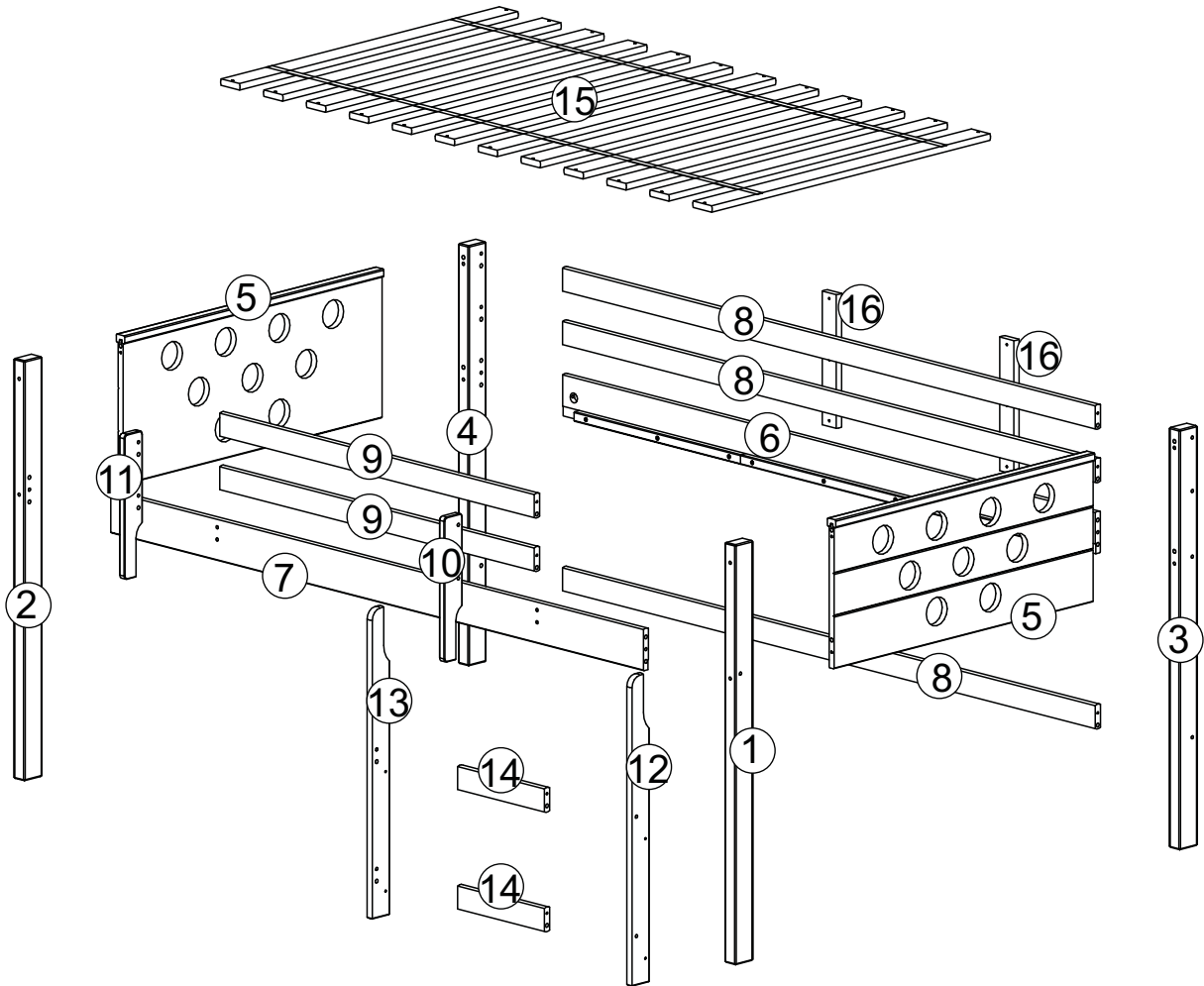


(Not included)

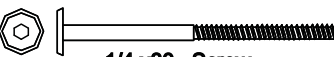

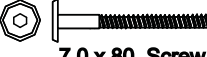
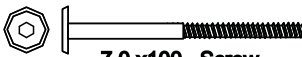

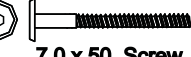
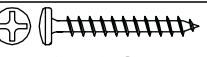
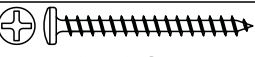
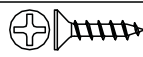



#### IMPORTANT:

**PLEASE READ INSTRUCTION BEFORE STARTING THE ASSEMBLY**

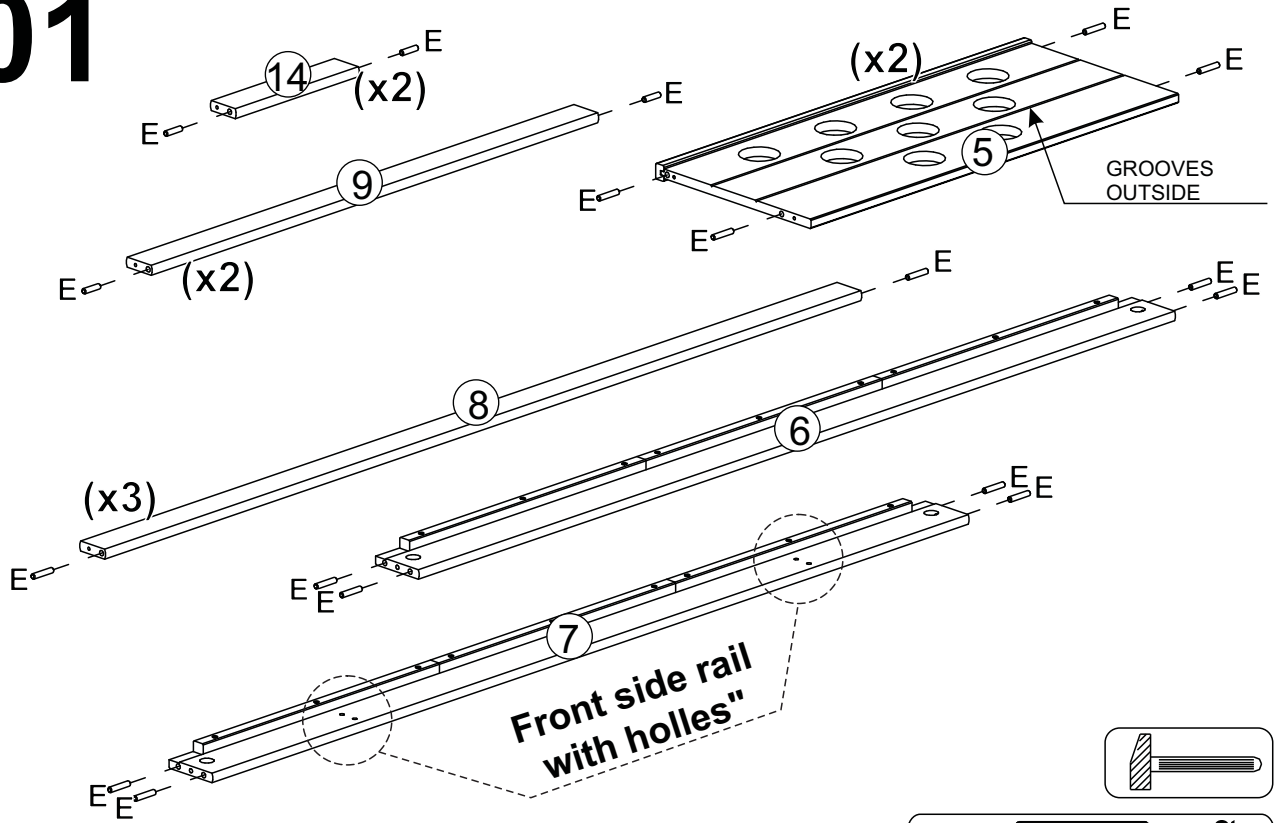
# Part List - 780 LOW LOFT BED CIRCLES




**Identifying the Hardware**-Identify the hardware using the illustrations below.

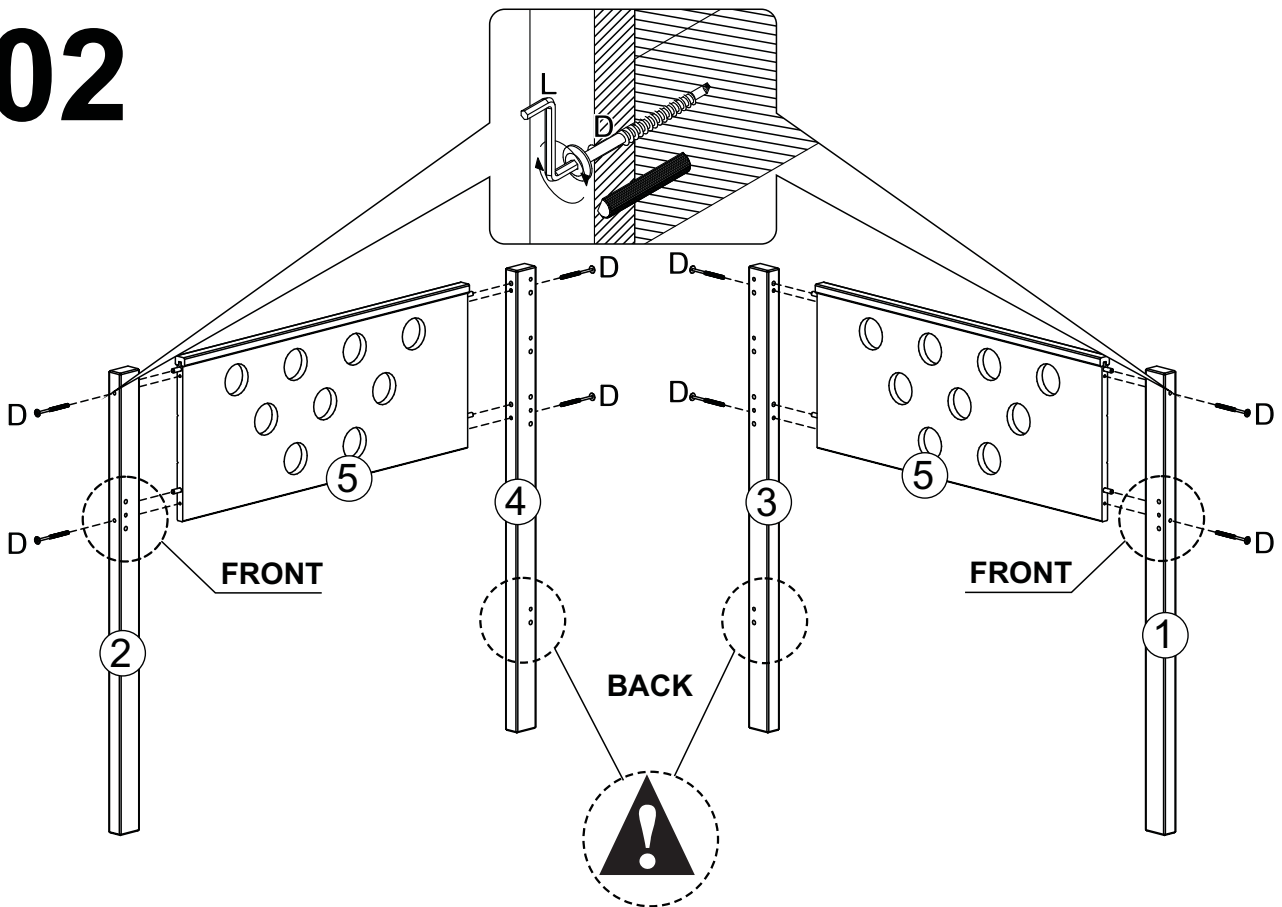
<b>A</b>  Qty <b>04</b> 1/4 x 80 Screw	<b>B</b>  Half Moon Qty <b>04</b> 1/4\"	<b>C</b>  Qty <b>06</b> 7,0 x 80 Screw
<b>D</b>  Qty <b>08</b> 7,0 x 100 Screw	<b>E</b>  Qty <b>30</b> 10 x 40 Wood Dowel	<b>F</b>  Qty <b>12</b> 7,0 x 50 Screw
<b>G</b>  Qty <b>30</b> 4,0 x 30 Screw	<b>H</b>  Qty <b>02</b> 4,0 x 40 Screw	<b>I</b>  Qty <b>06</b> 3,5 x 16 Screw
<b>J</b>  Qty <b>02</b> Protector	<b>K</b>  Qty <b>02</b> Hook Ladder	<b>L</b>  Qty <b>01</b> Hex Screwdriver

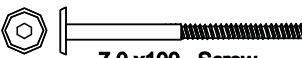
# 01



**E**  10 x 40 Wood Dowel Qty **30**

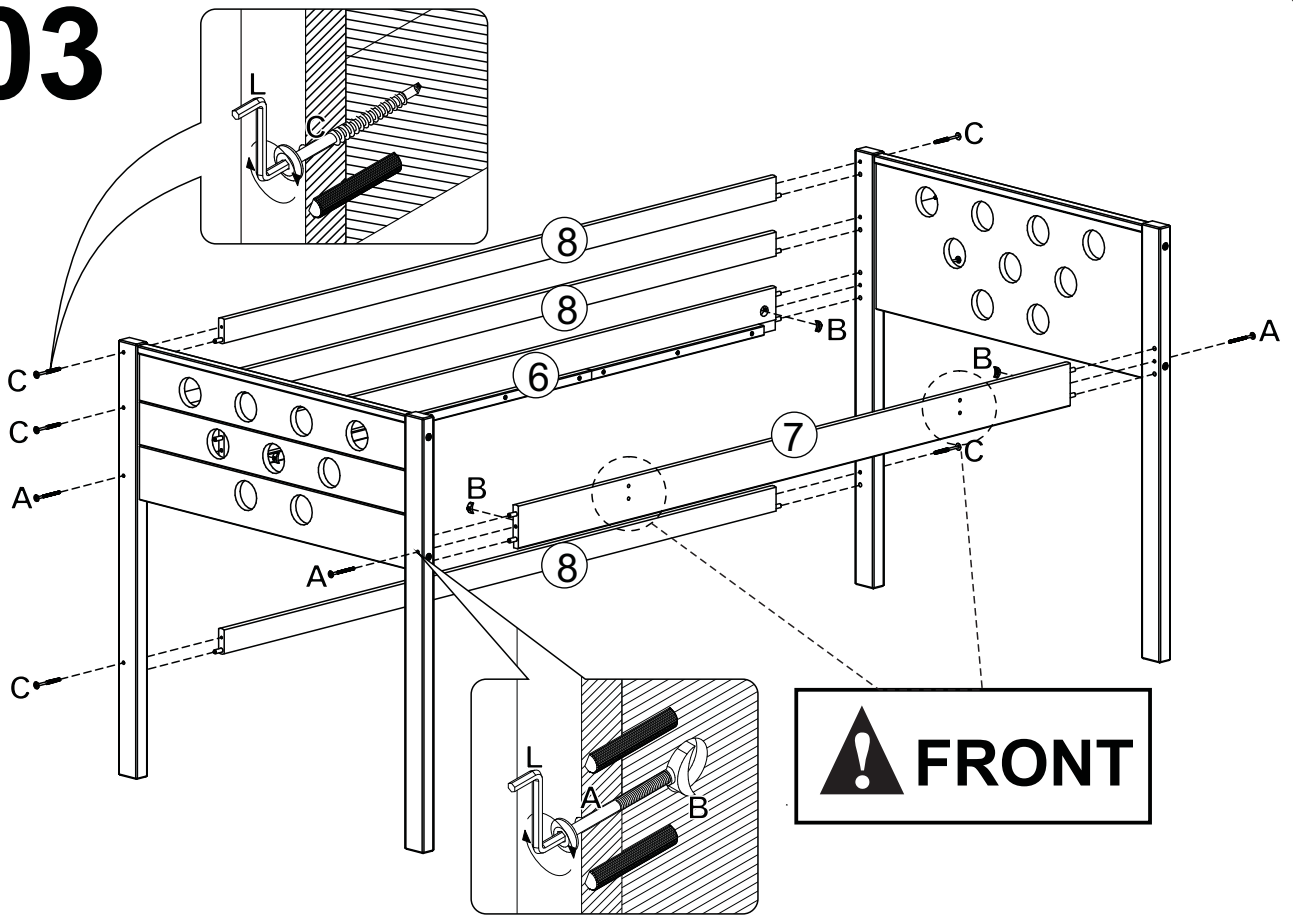
# 02

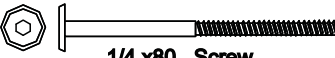


**D**  7,0 x100 Screw Qty **08**

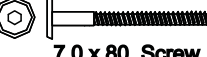
**L**  Hex Screwdriver Qty **01**

# 03



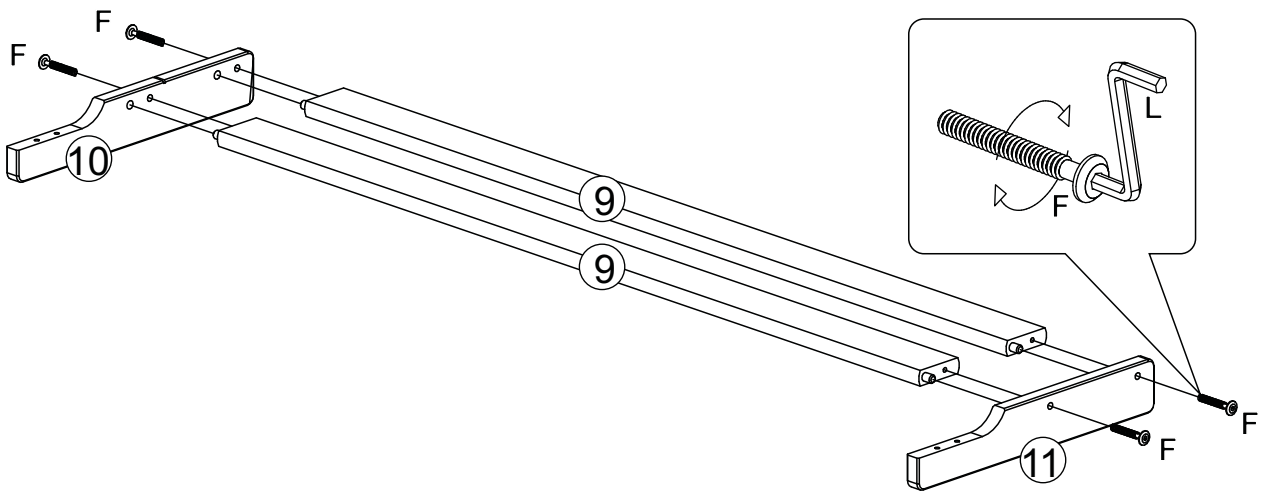
**A**  Qty **04**  
1/4 x 80 Screw

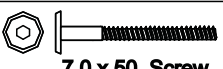
**B**  Qty **04**  
1/4\"

**C**  Qty **06**  
7,0 x 80 Screw

**L**  Qty **01**  
Hex Screwdriver

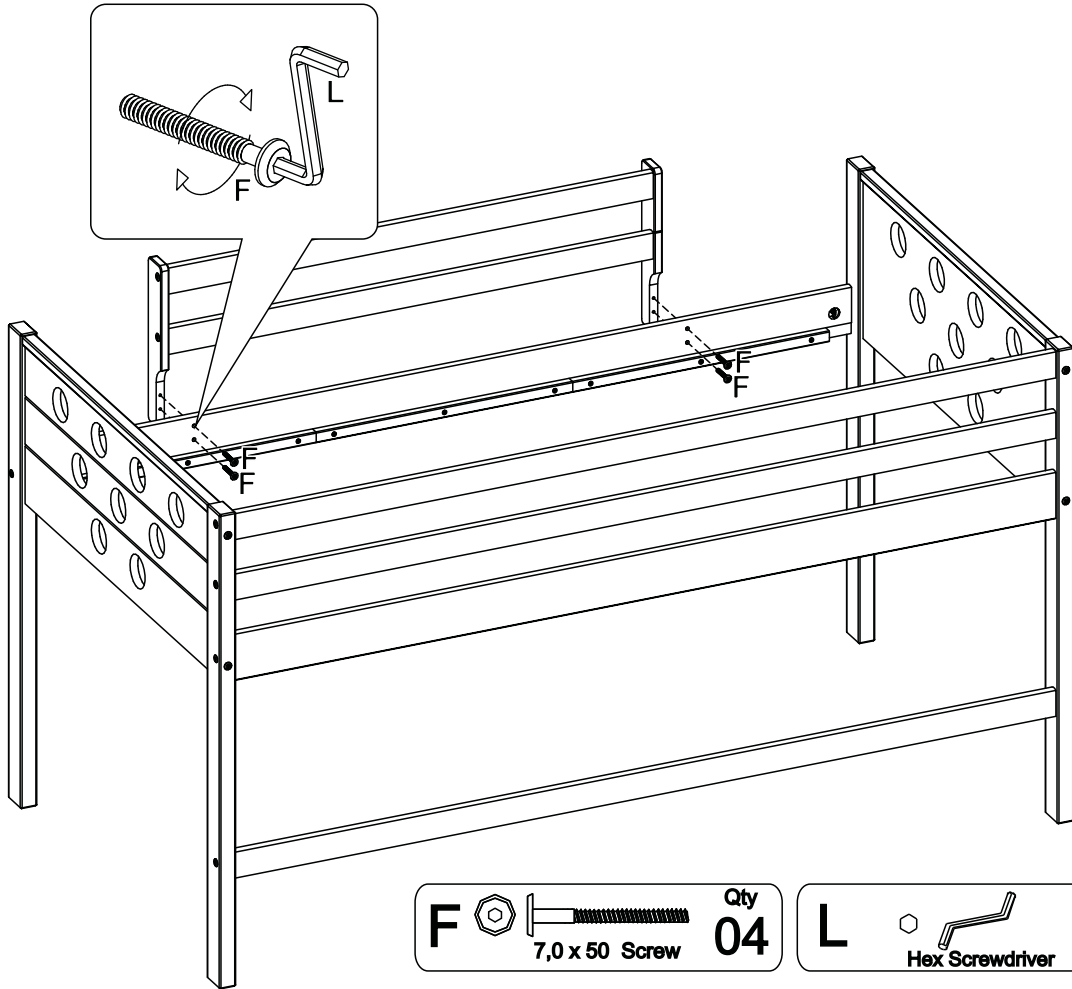
# 04




**F**  Qty **04**  
7,0 x 50 Screw

**L**  Qty **01**  
Hex Screwdriver

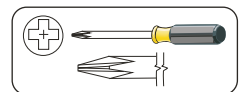
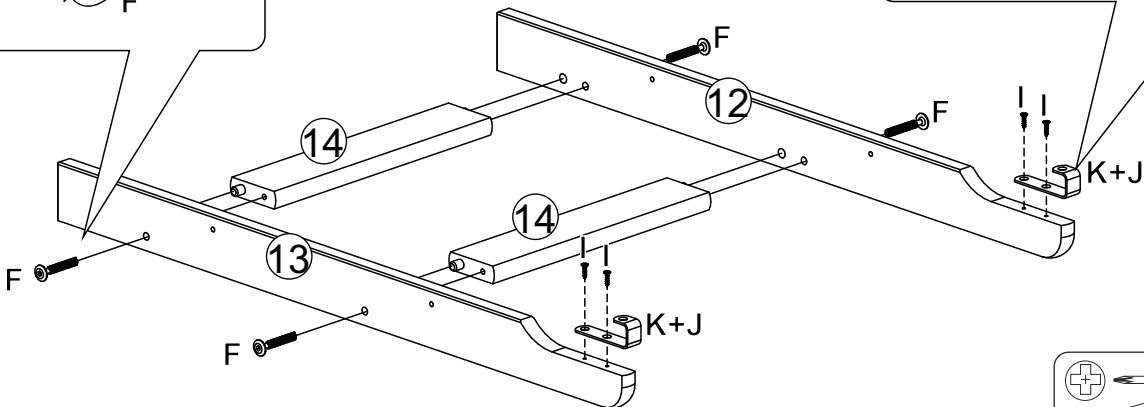
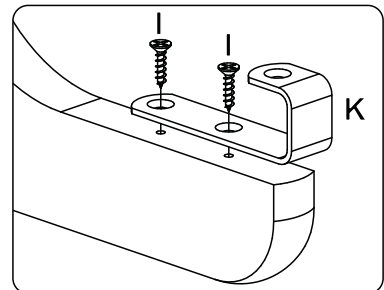
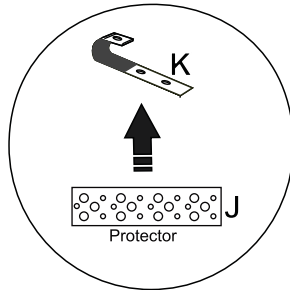
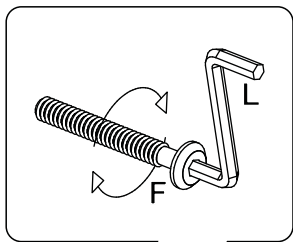
# 05





**F**  Qty **04**  
7,0 x 50 Screw


**L**  Qty **01**  
Hex Screwdriver

# 06 LADDER



**F**  Qty **04**  
7,0 x 50 Screw

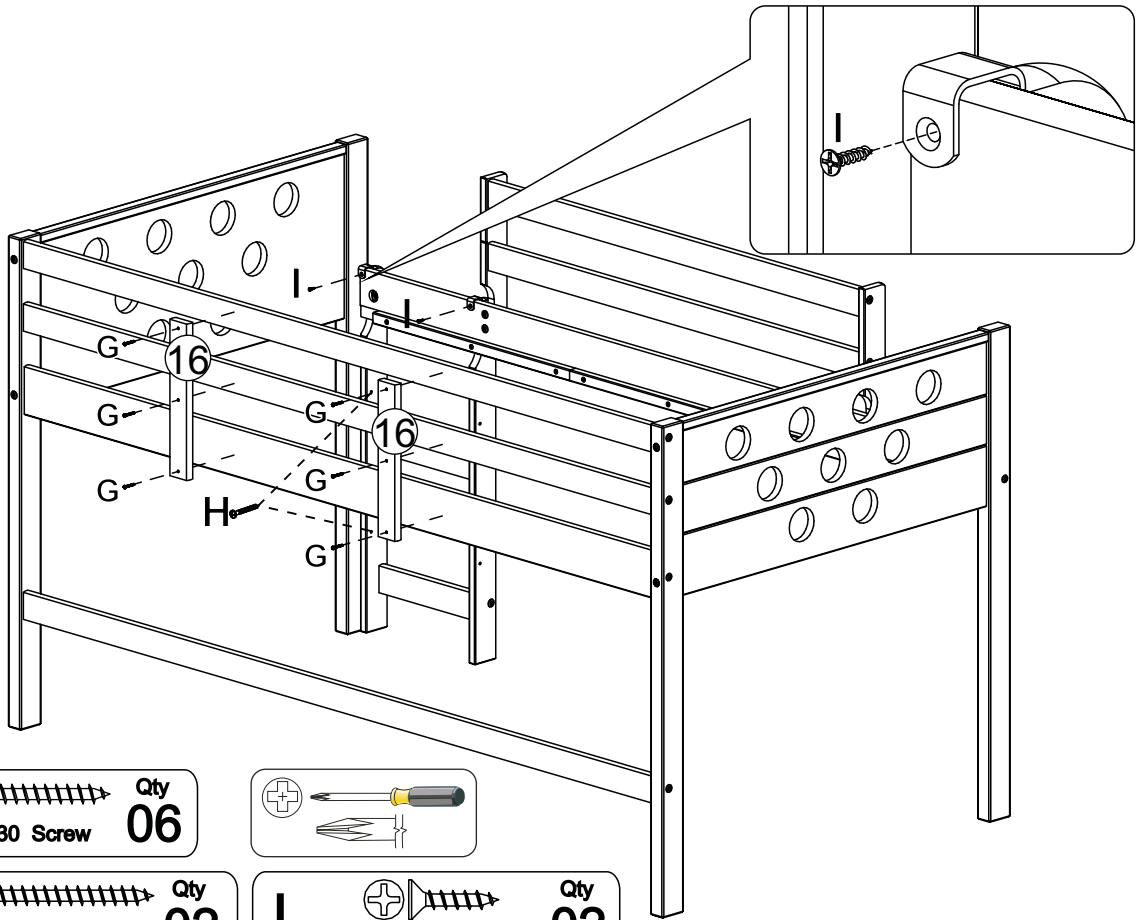
**I**  Qty **04**  
3,5 x 16 Screw

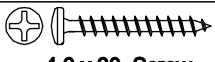
**J**  Qty **02**  
Protector

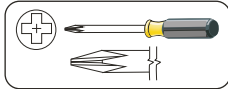
**K**  Qty **02**  
Hook Ladder

**L**  Qty **01**  
Hex Screwdriver

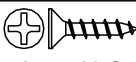
# 07



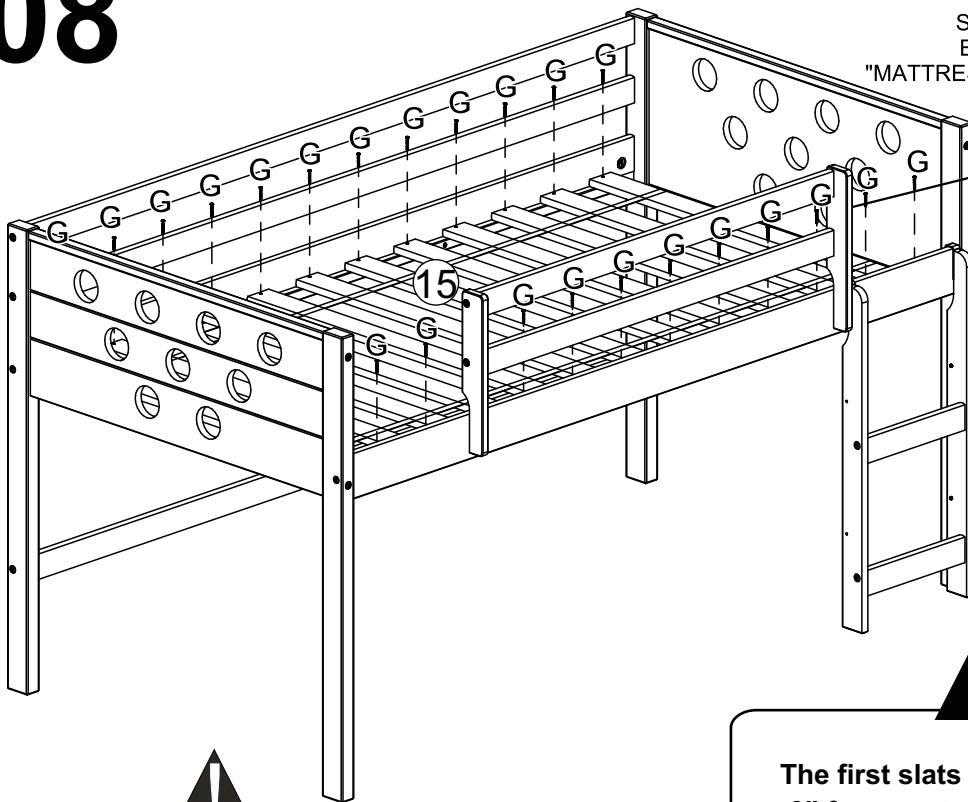
**G**  Qty **06**  
4,0 x 30 Screw



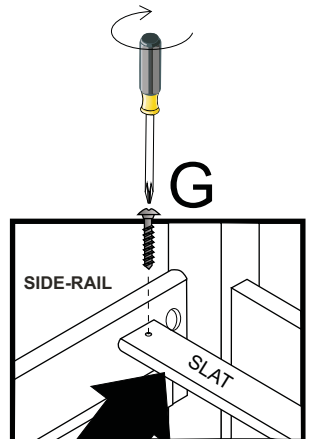
**H**  Qty **02**  
4,0 x 40 Screw

**I**  Qty **02**  
3,5 x 16 Screw

# 08

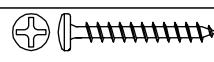


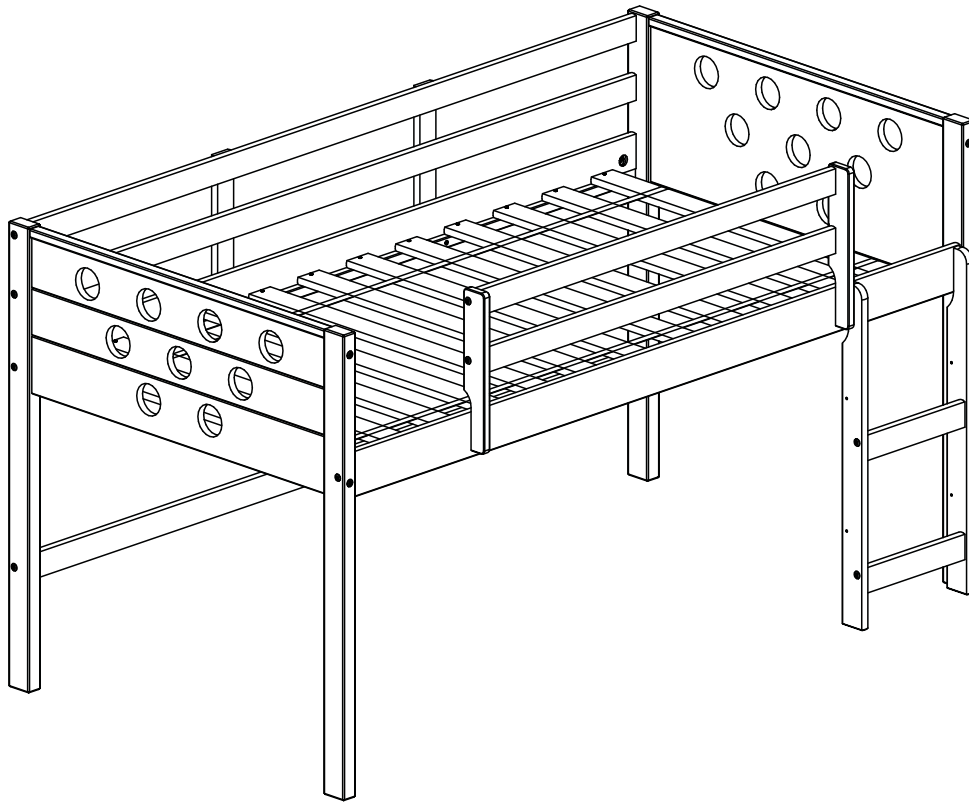
**WARNING**  
THE MATTRESS  
SURFACE MUST NOT  
BE ABOVE THIS LINE  
"MATTRESS 8" HIGH LIMITED"



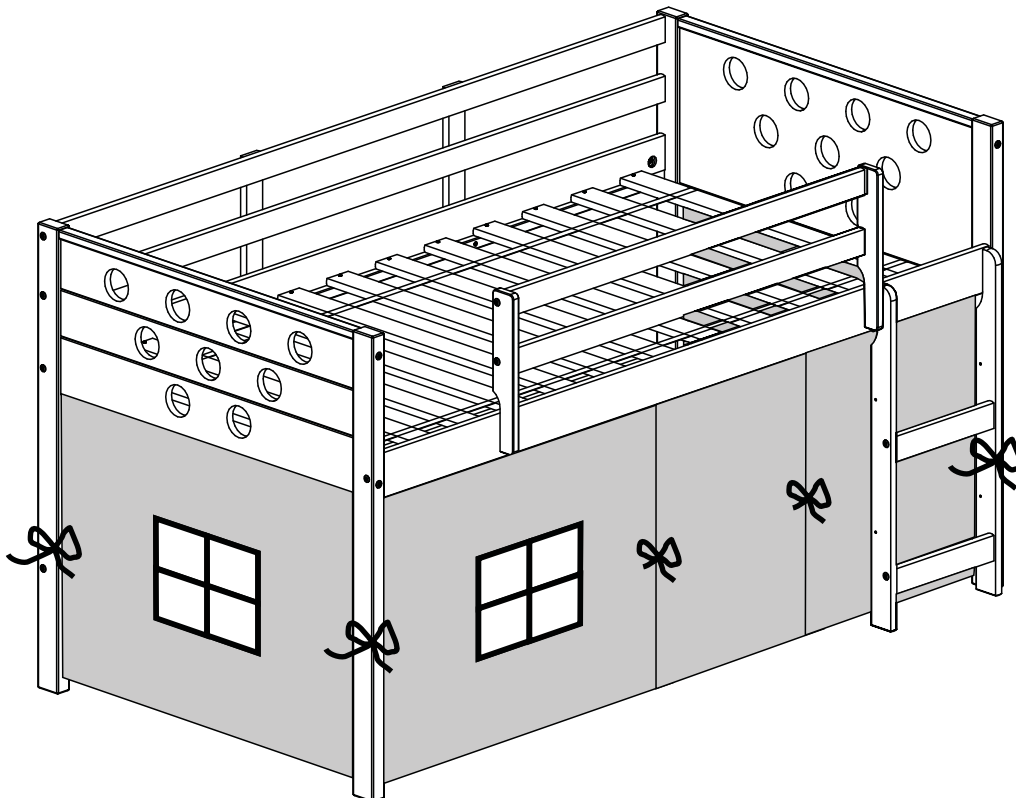
The first slats must be fixed at 3" from each headboard end.

INSTALL SLAT KIT WITH SPACER TAPE ON TOP (FACING UP)

**G**  Qty **24**  
4,0 x 30 Screw



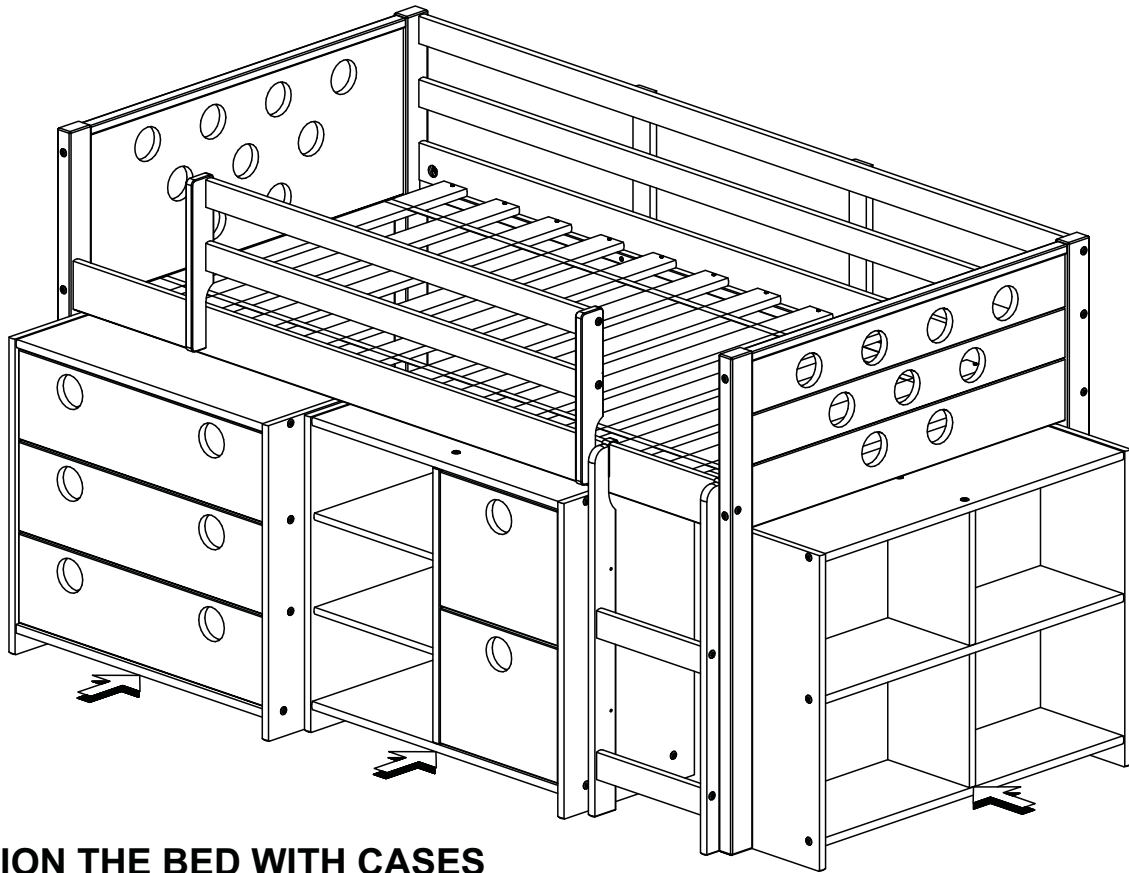
**OPTION THE BED ONLY**



**OPTION THE BED WITH TENT FABRIC**



# OPTION COMPONENTS



**OPTION THE BED WITH CASES**

