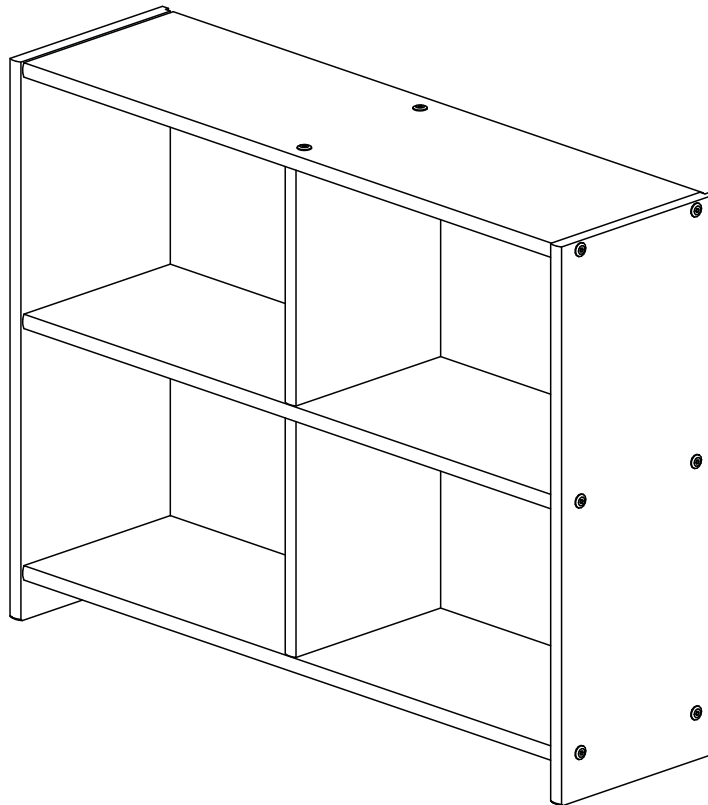


Fort Worth, Texas 76140

**ASSEMBLY INSTRUCTIONS**

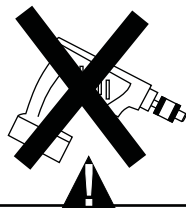
**780 BOOKCASE**



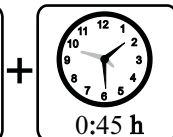
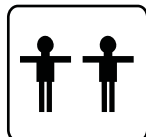
Thank you for purchasing this quality product. Be sure to check all packing material carefully for small parts which may have come loose inside the carton during shipment. Separate, identify and count all parts and hardware.

Compare with the parts list to be sure all parts are present.

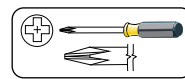
**"DO NOT TIGHTEN SCREWS UNTIL COMPLETELY ASSEMBLED"**



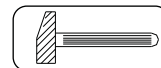
\* Use of power tool to assemble this product will invalidate any claim and damage this product making unsafe !!!  
\* Please assemble on a clean soft surface to avoid damage.



Tools Required



(Not included)

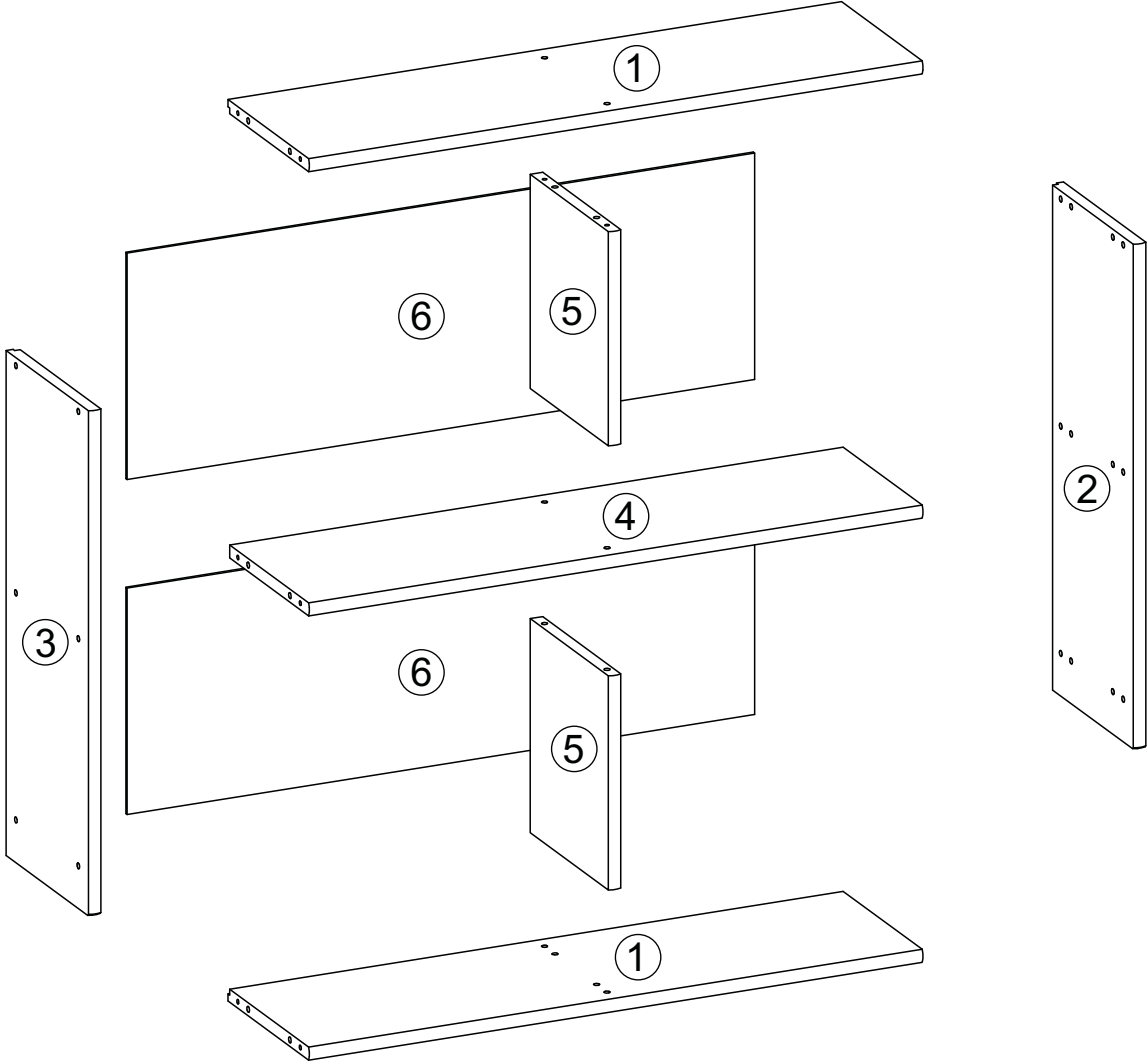


(Not included)

**IMPORTANT:**


**PLEASE READ INSTRUCTION BEFORE STARTING THE ASSEMBLY**

# Part List - 780 Bookcase



**Identifying the Hardware**-Identify the hardware using the illustrations below.

**A**  Qty **20**  
8 x 30 Wood Dowel

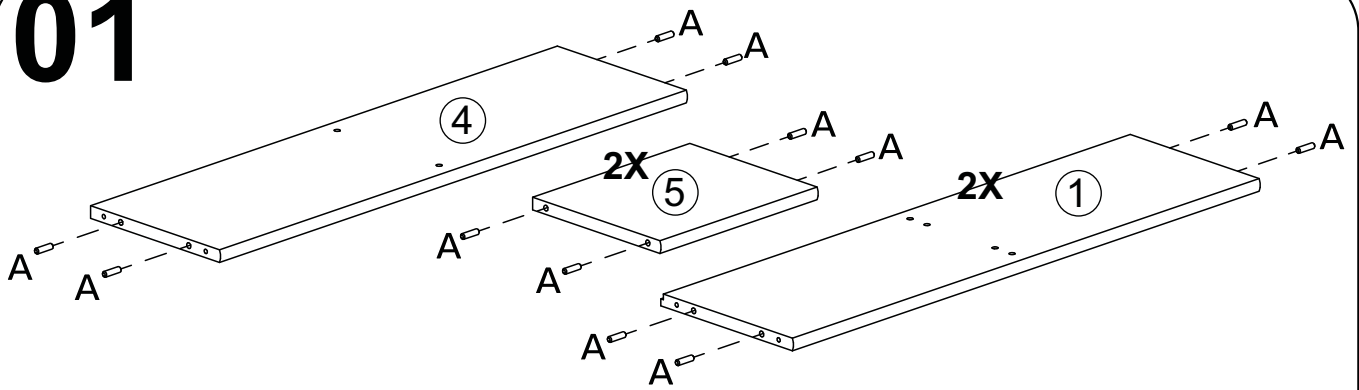
**B**  Qty **16**  
7,0 x 50 Screw

**C**  Qty **01**  
Hex Screwdriver

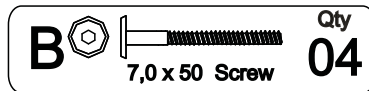
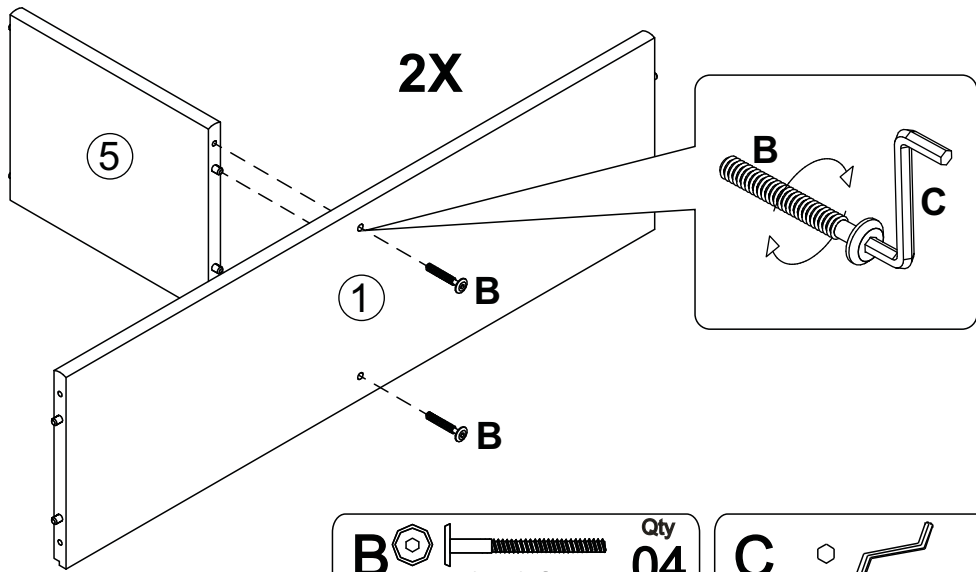
**D**  Qty **29**  
10 x 10

**E**  Qty **05**

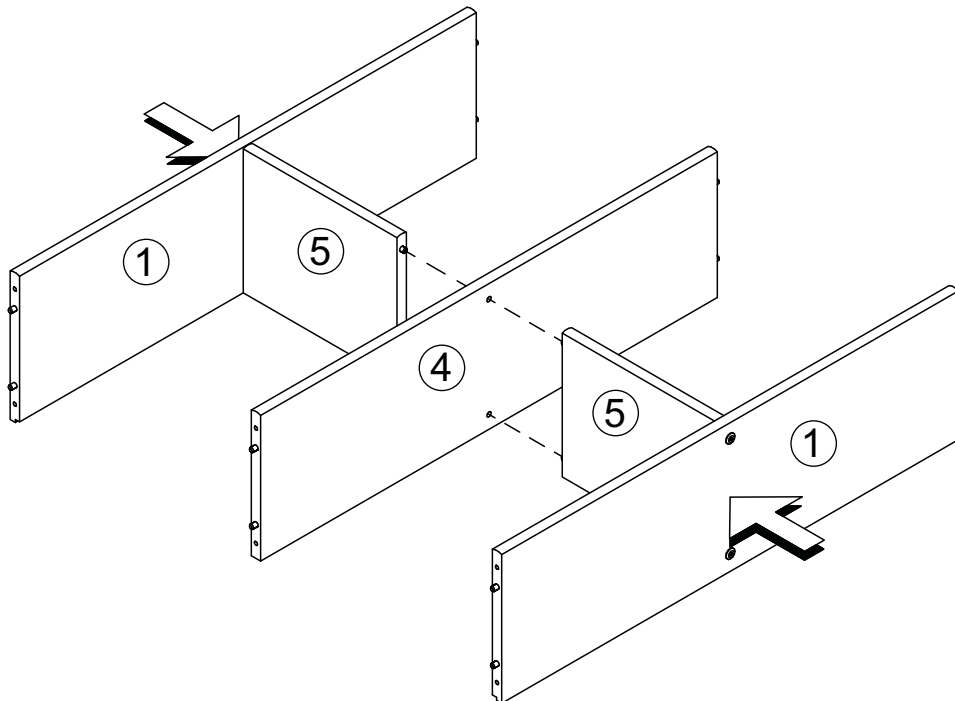
# 01



# 02



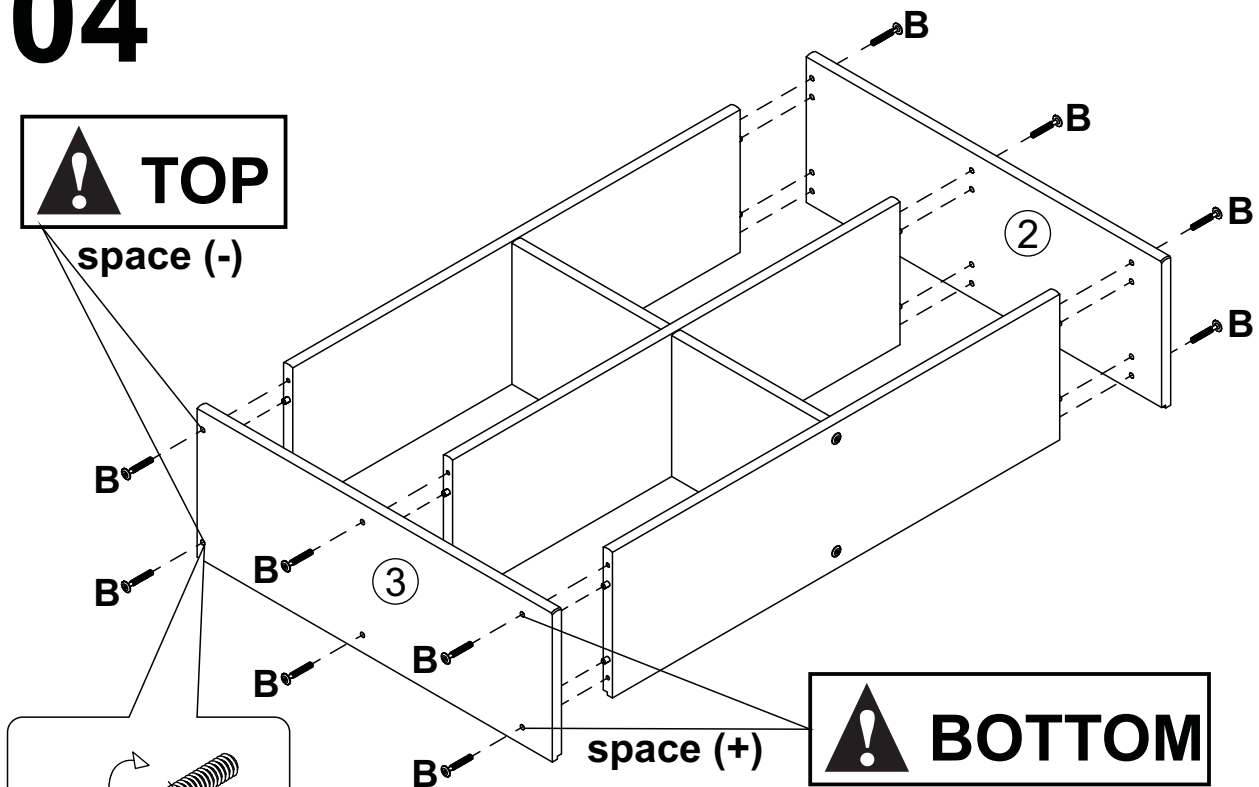
# 03




# 04



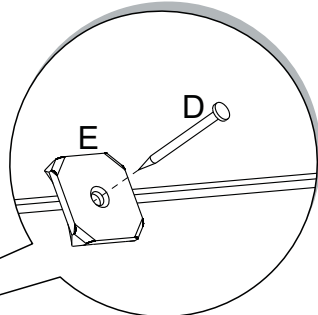
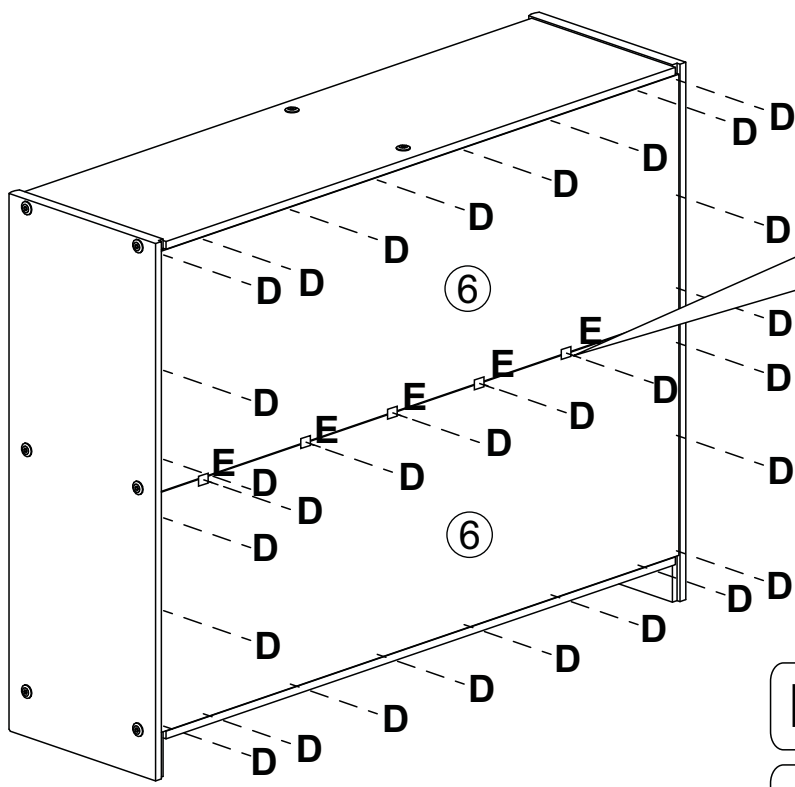
space (-)





**B**  Qty **12**

**C**  Qty **01**

# 05



**D**  Qty **29**

**E**  Qty **05**