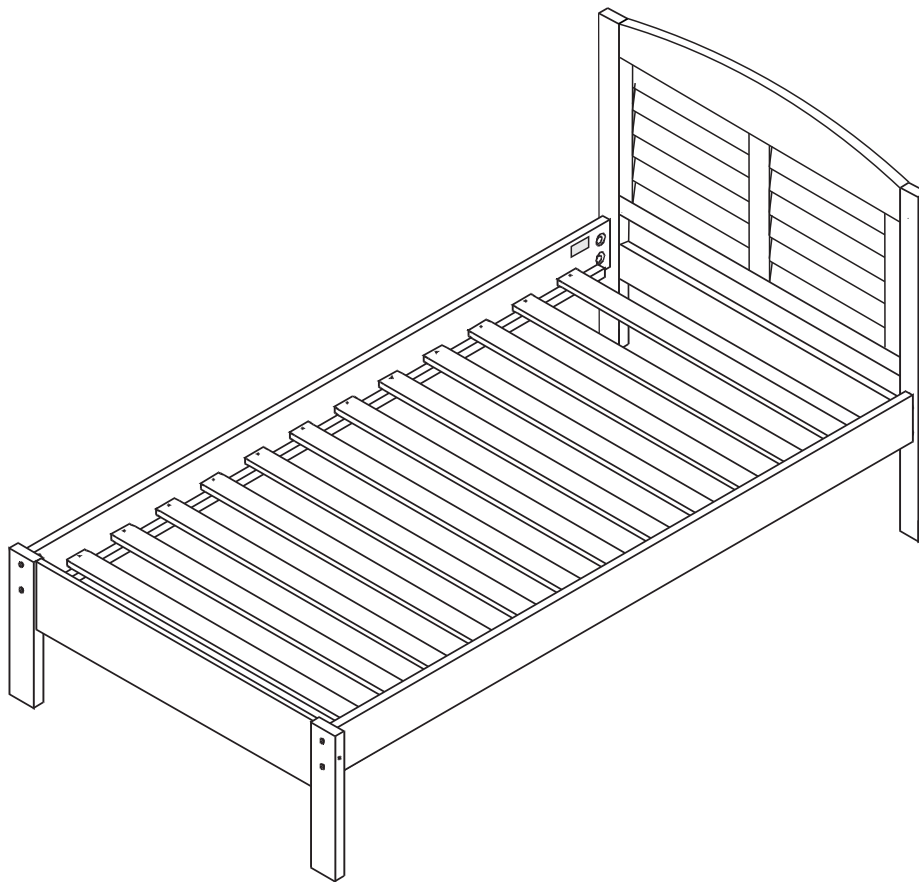


ASSEMBLY INSTRUCTIONS

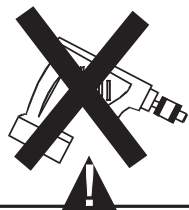
212 TWIN LOUVER BED



Thank you for purchasing this quality product. Besure to check all packing material carefully for small parts which may have come loose inside the carton during shipment. eparate, identify and count al lparts and hardware.

Compare with the parts list to be sure al parts are present.

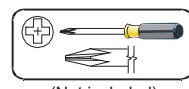
“DO NOT TIGHTEN SCREWS UNTIL COMPLETELY ASSEMBLED”



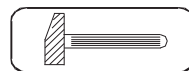
***Use of power tool to assemble this product will invalidate any claim and damage this product making unsafe !
*Please assemble on a clean soft surface to avoid damage.**



Tools Required



(Not included)

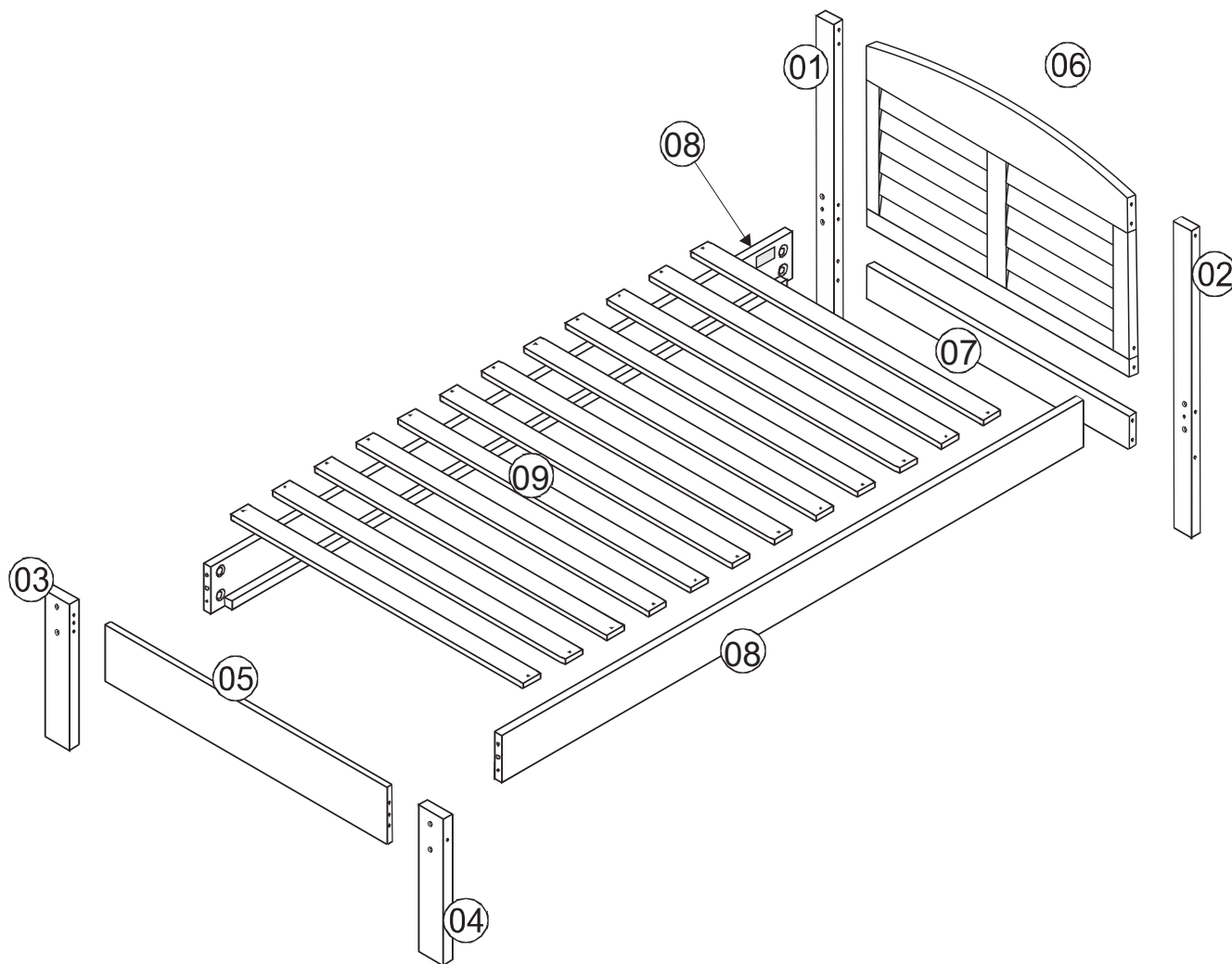


(Not included)

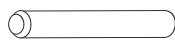
IMPORTANT:

PLEASE READ INSTRUCTION BEFORE STARTING THE ASSEMBLY


Part List: 212 TWIN LOUVER BED

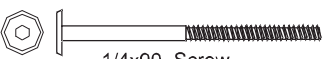


Identifying the Hardware/part list - Identify the hardware using the illustrations below.

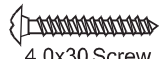
A  Qty **14**

B  Qty **01**

C  Qty **06**

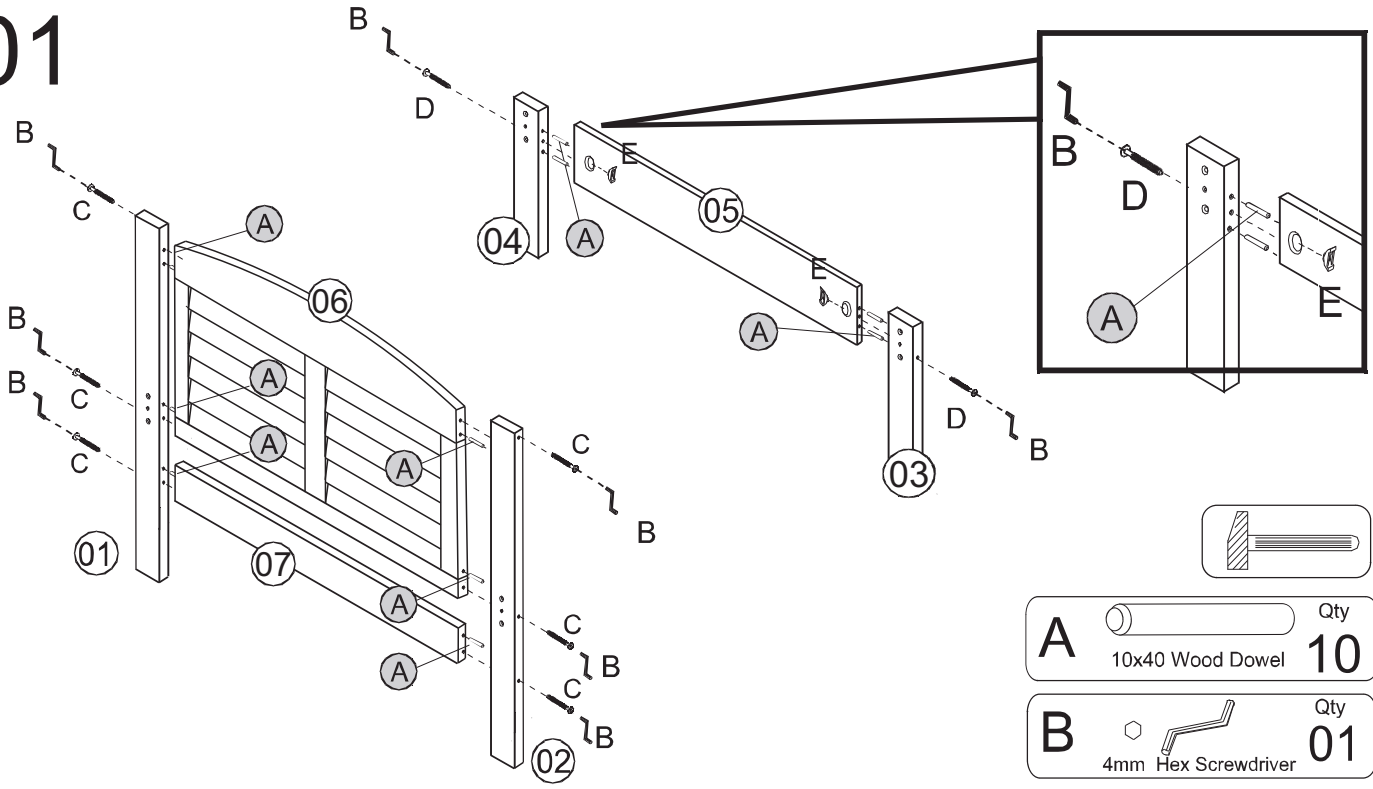
D  Qty **10**



E  Qty **10**

F  Qty **24**

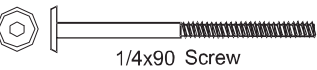
G  Qty **02**


01



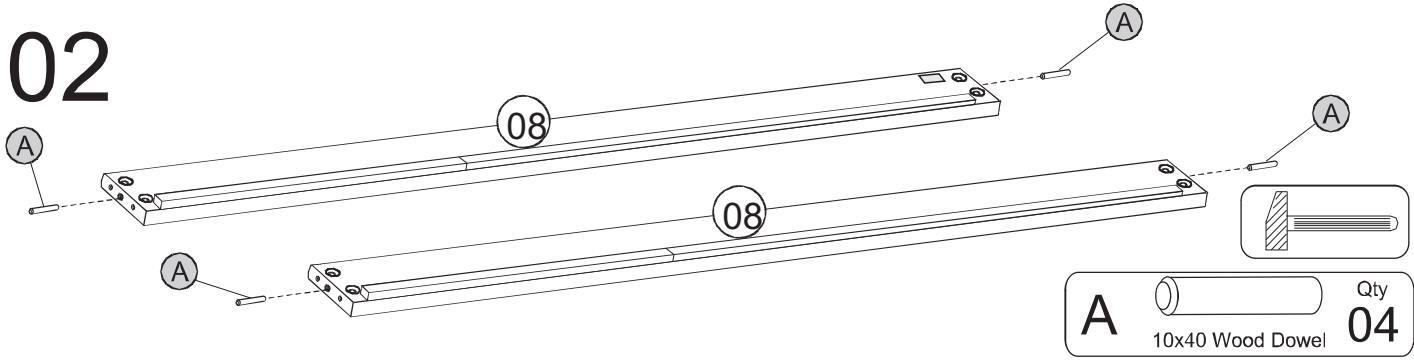
- A**  Qty **10**
- B**  Qty **01**


- E**  Qty **02**

- D**  Qty **02**

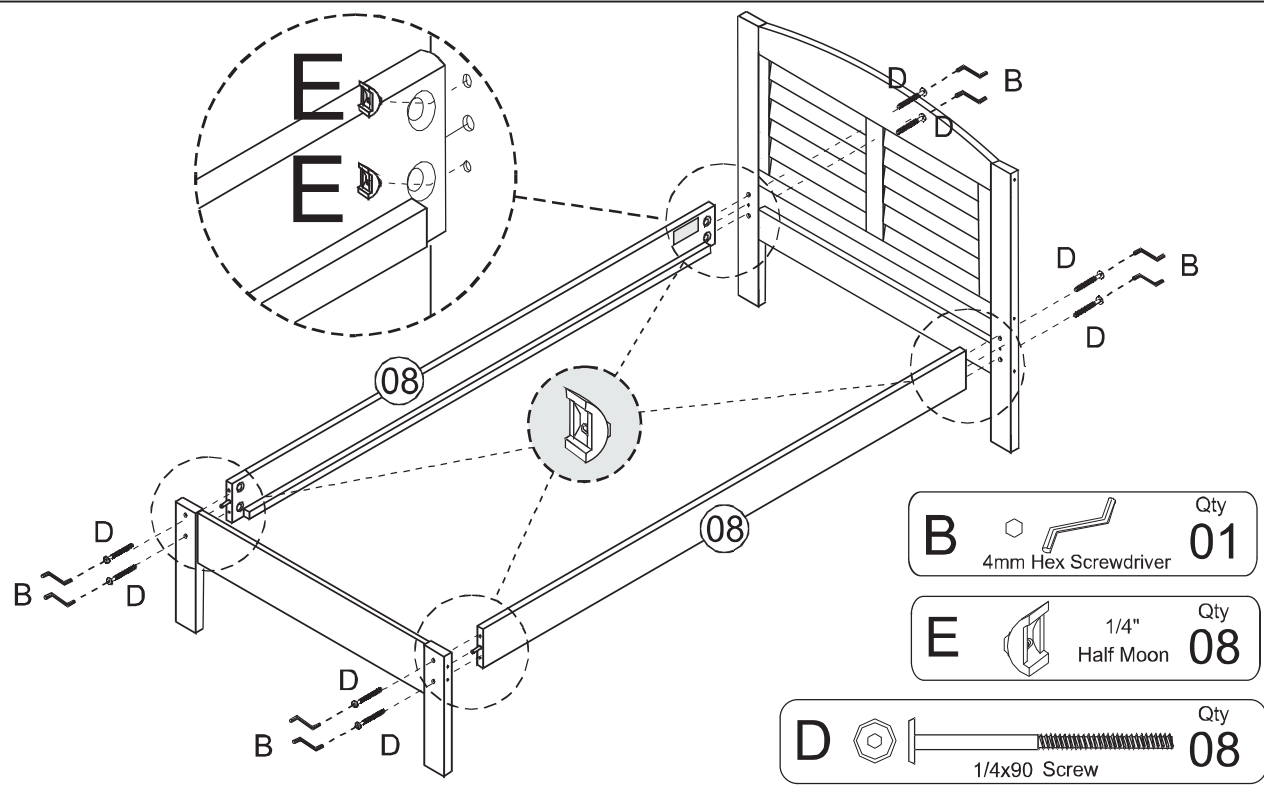
- C**  Qty **06**

02



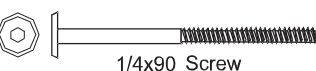
- A**  Qty **04**

03

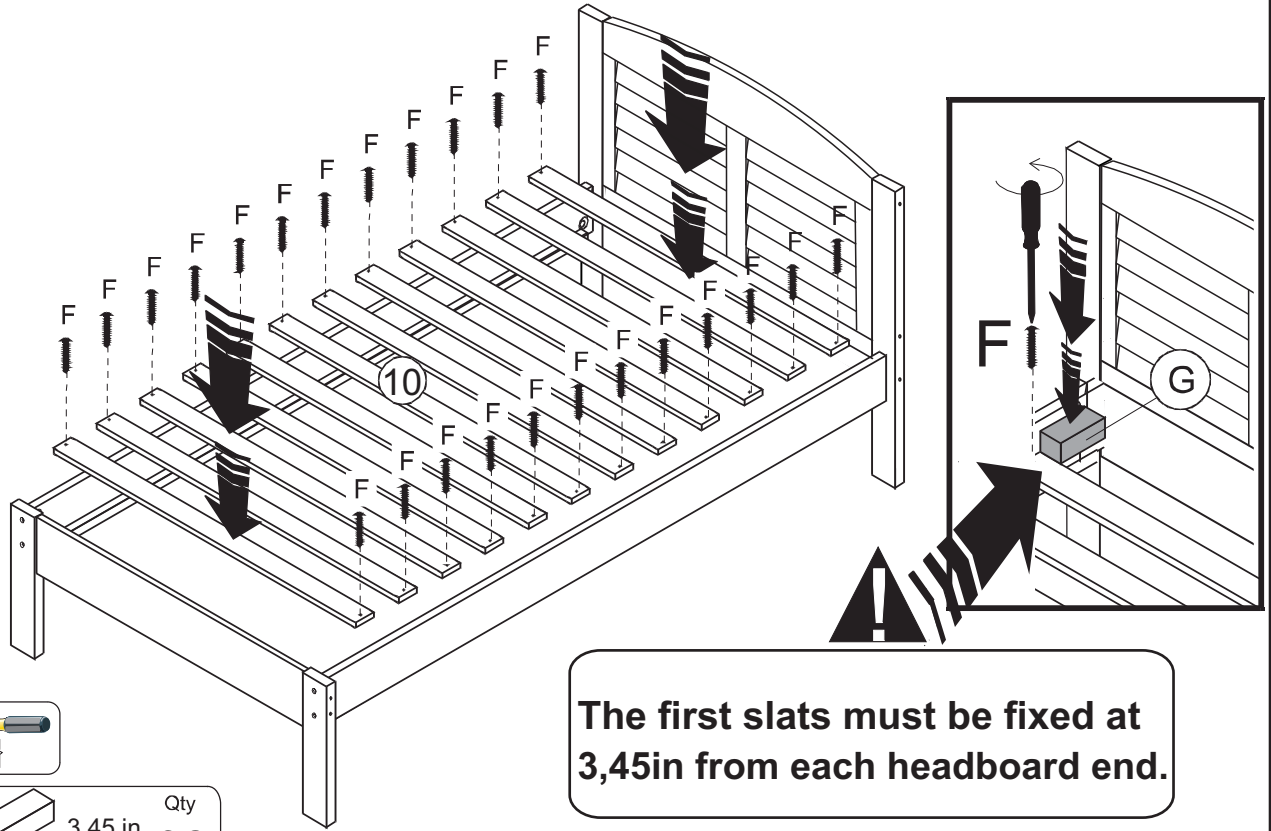


- B**  Qty **01**

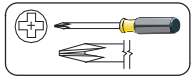
- E**  Qty **08**

- D**  Qty **08**

04



The first slats must be fixed at 3,45in from each headboard end.



G  3,45 in
SPACE SLATS Qty **02**

F  4,0x30 Screw Qty **24**

