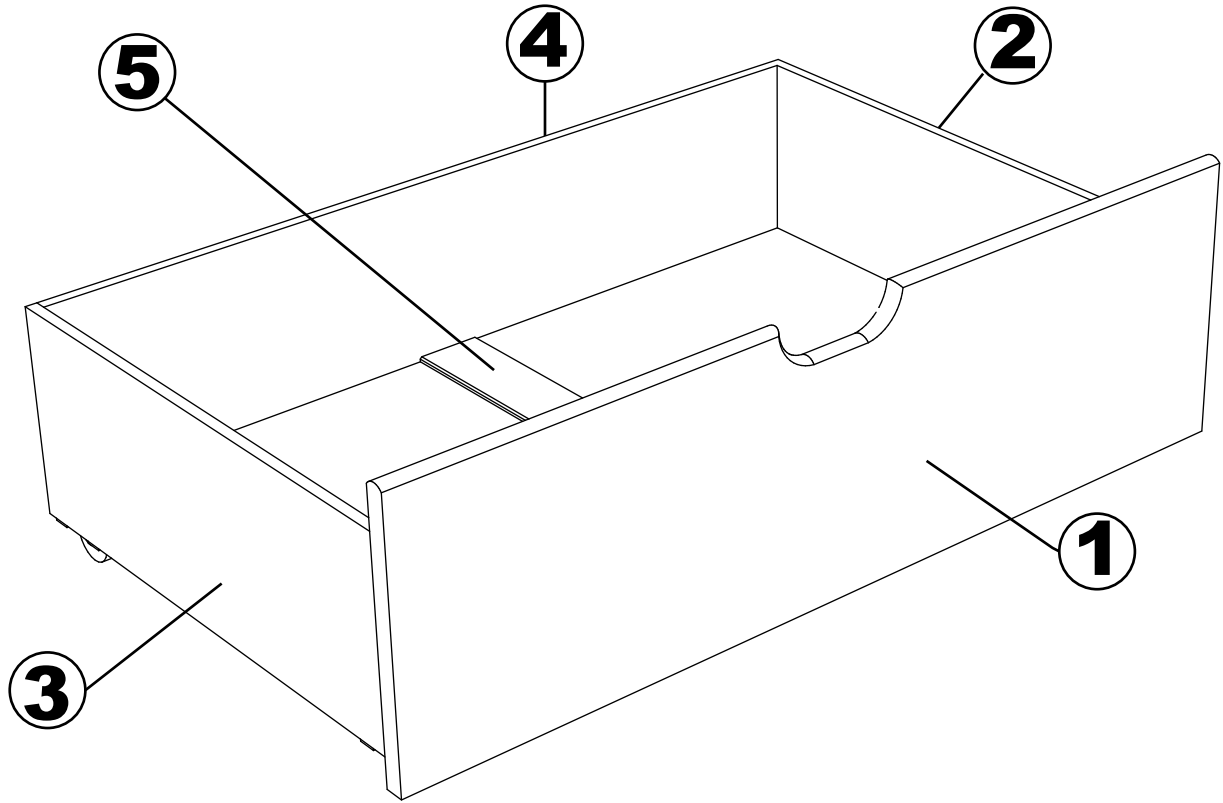


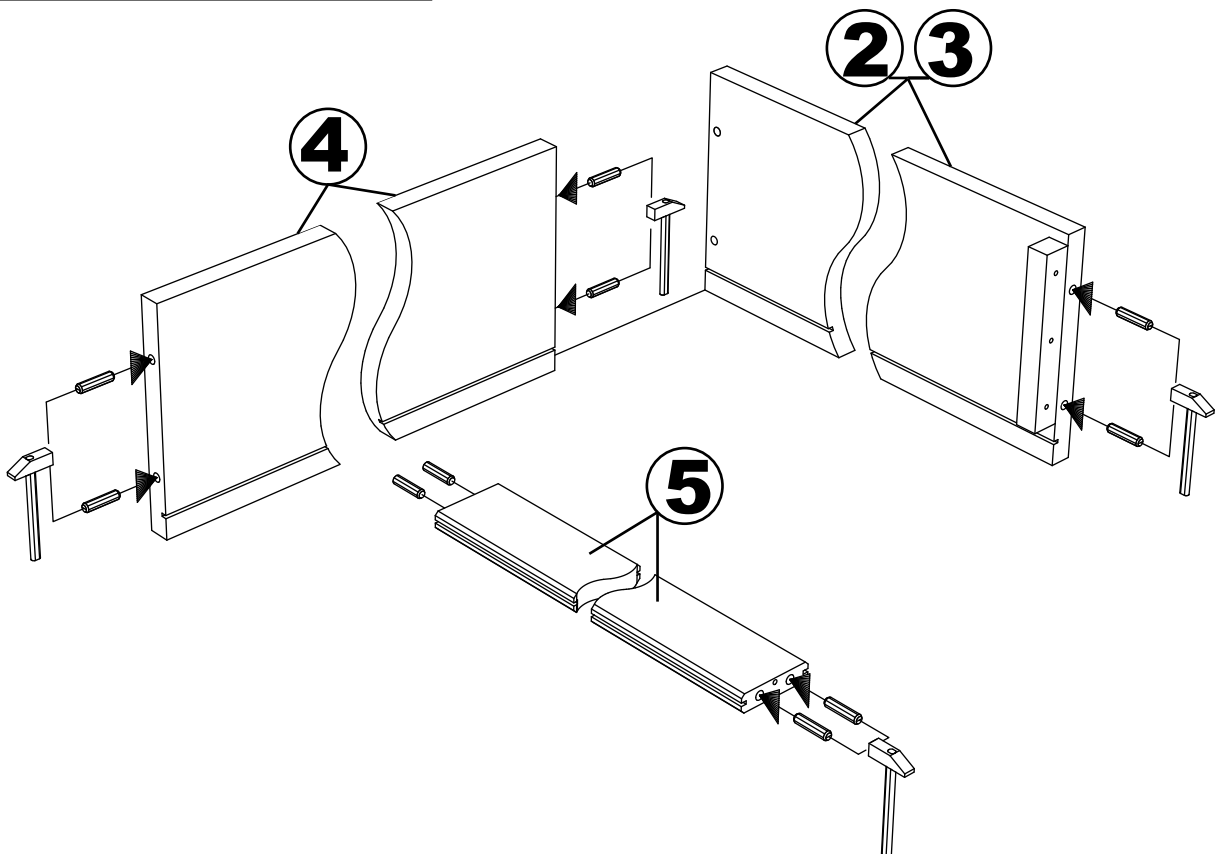
# ASSEMBLY INSTRUCTIONS - DUAL UNDERBED DRAWERS





**D**

  
Ø8 x 30mm Qty: 12

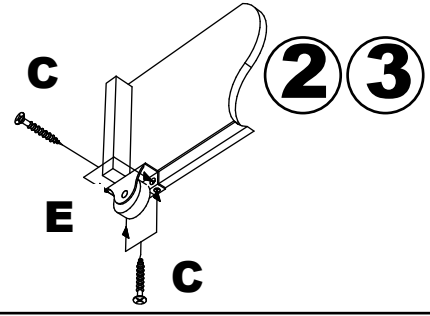
## Step 01



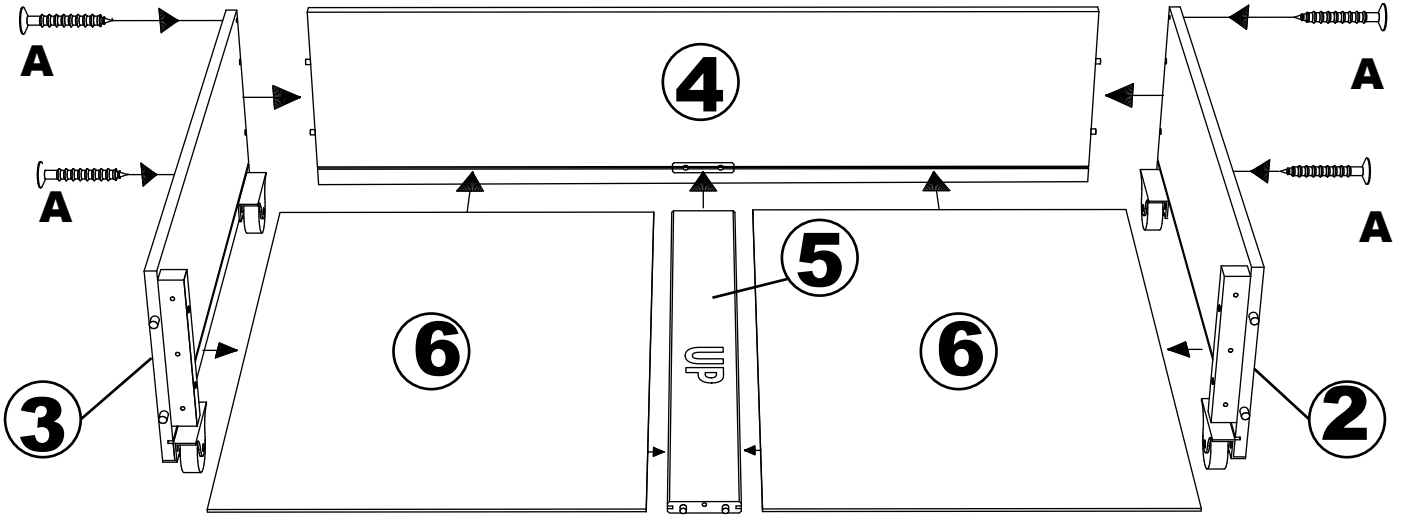
# ASSEMBLY INSTRUCTIONS - DUAL UNDERBED DRAWERS


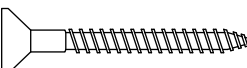
**A**    
 Ø4 x 30mm Qty: 06

## Step 02


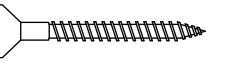


## Step 03

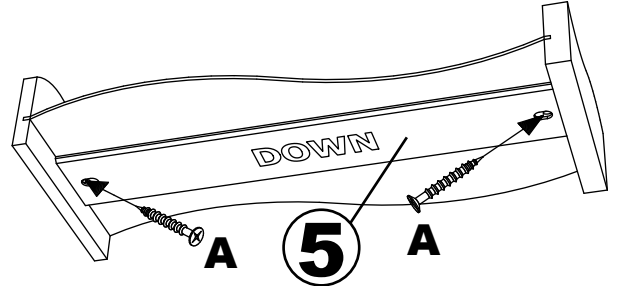


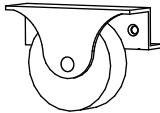
**B**    
 Ø4 x 35mm Qty: 06

## Step 03

**C**    
 Ø3 x 15mm Qty: 16

## Step 04



**E**  Qty: 04

