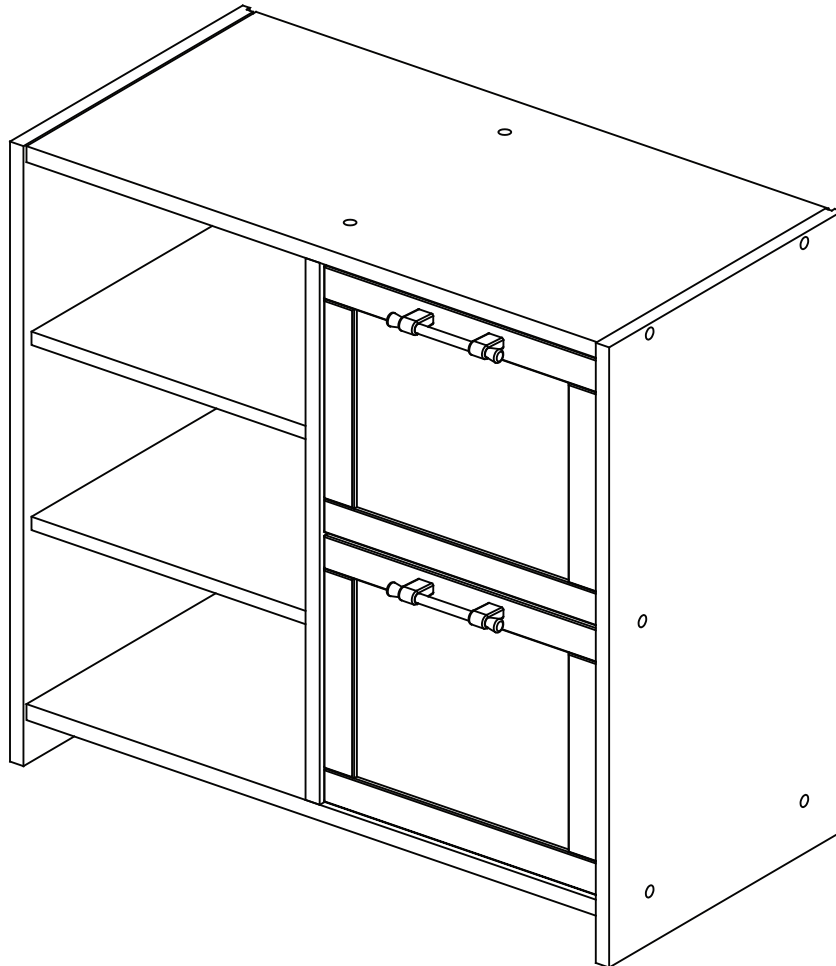


Fort Worth, Texas 76140

ASSEMBLY INSTRUCTIONS

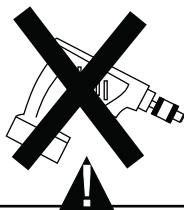
0318 2 DRAWERS CHEST



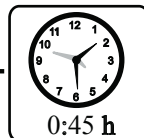
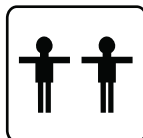
Thank you for purchasing this quality product. Be sure to check all packing material carefully for small parts which may have come loose inside the carton during shipment. Separate, identify and count all parts and hardware.

Compare with the parts list to be sure all parts are present.

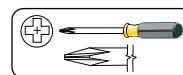
"DO NOT TIGHTEN SCREWS UNTIL COMPLETELY ASSEMBLED"



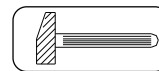
* Use of power tool to assemble this product will invalidate any claim and damage this product making unsafe !!!
* Please assemble on a clean soft surface to avoid damage.



Tools Required



(Not included)

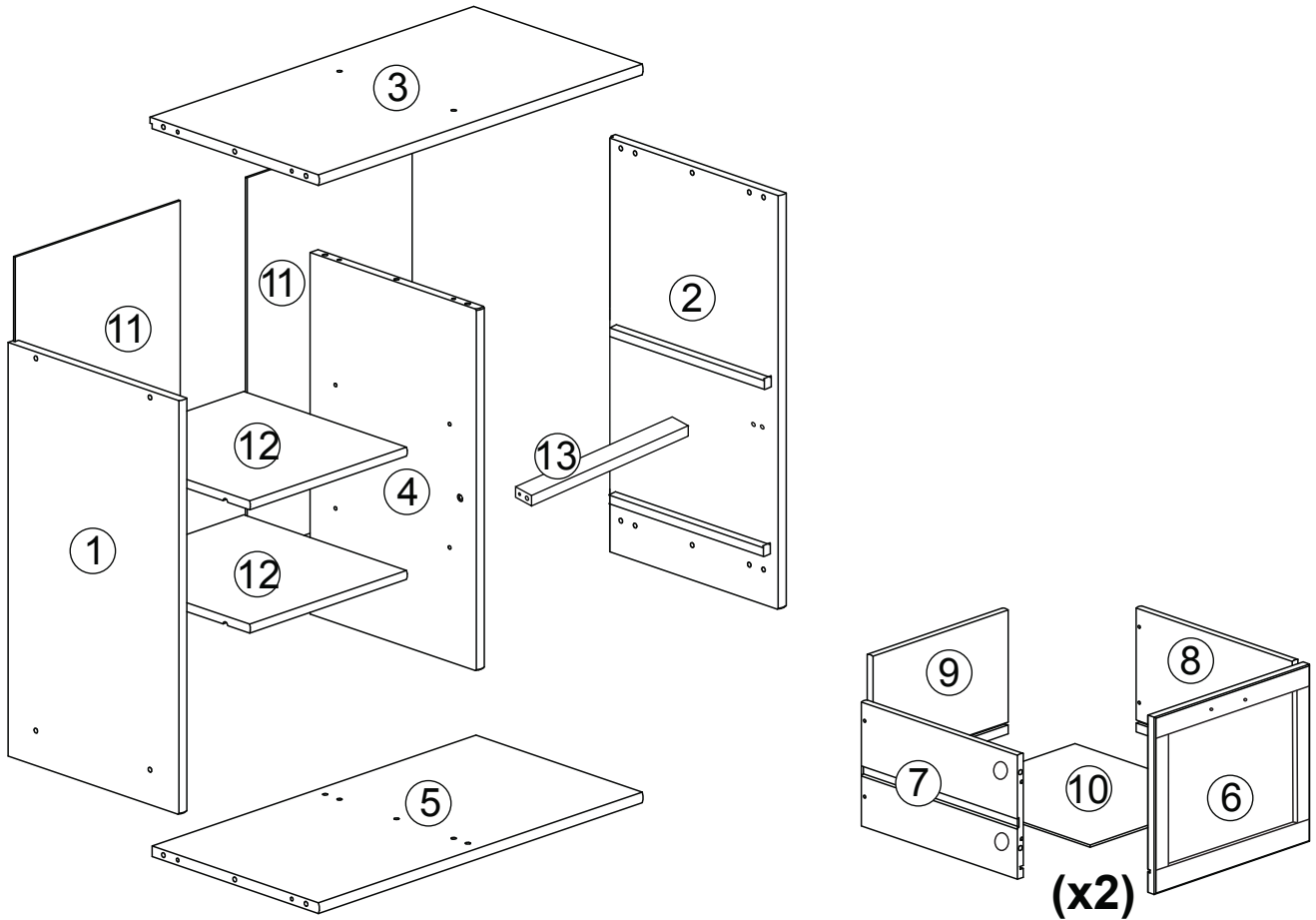


(Not included)

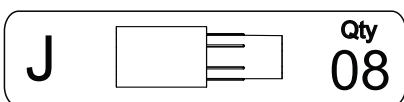
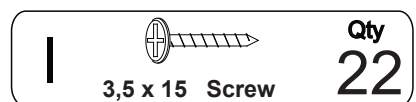
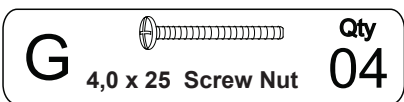
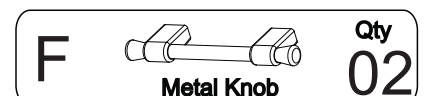
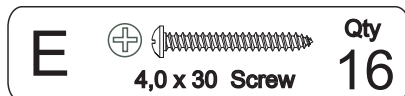
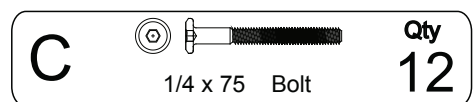
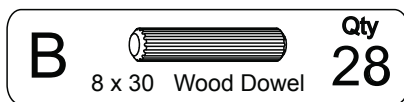
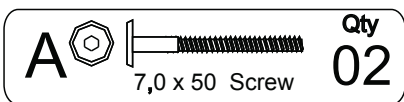
IMPORTANT:

PLEASE READ INSTRUCTION BEFORE STARTING THE ASSEMBLY

Part List - 0318 2 DRAWERS CHEST



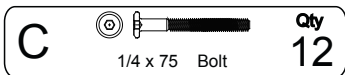
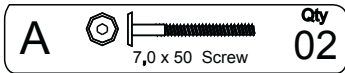
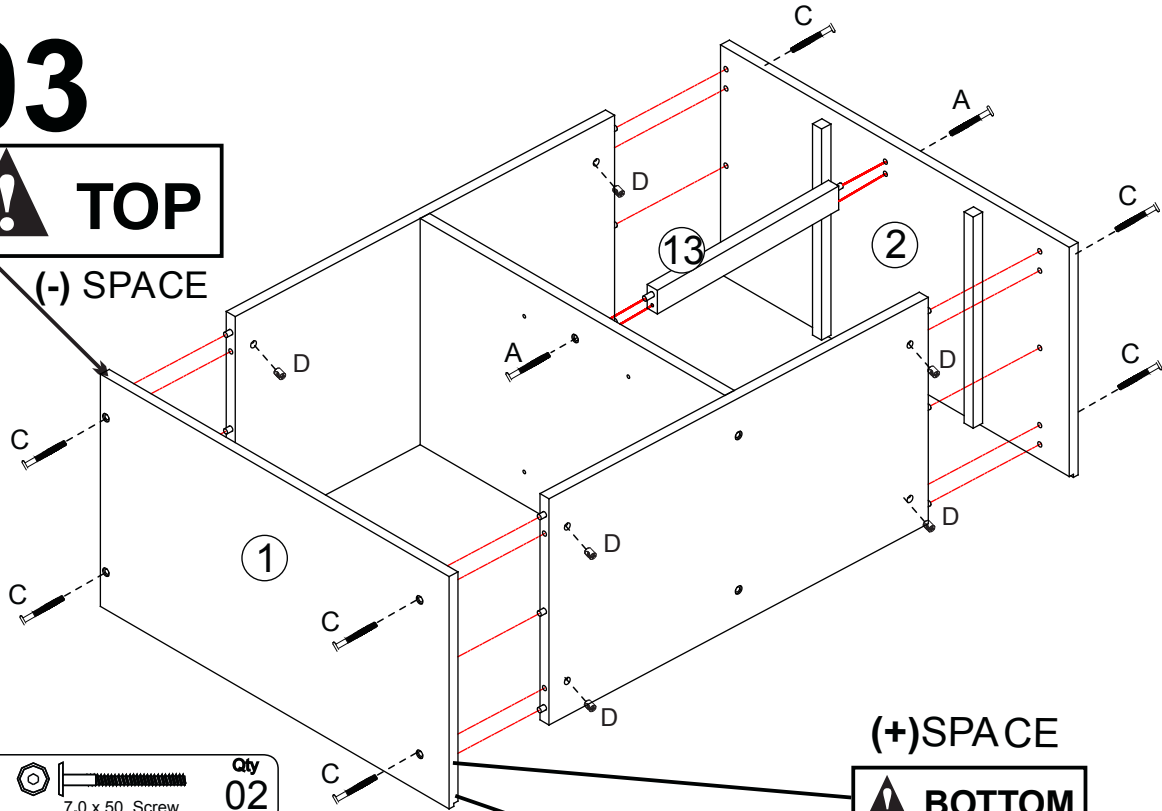
Identifying the Hardware-Identify the hardware using the illustrations below.



03



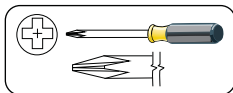
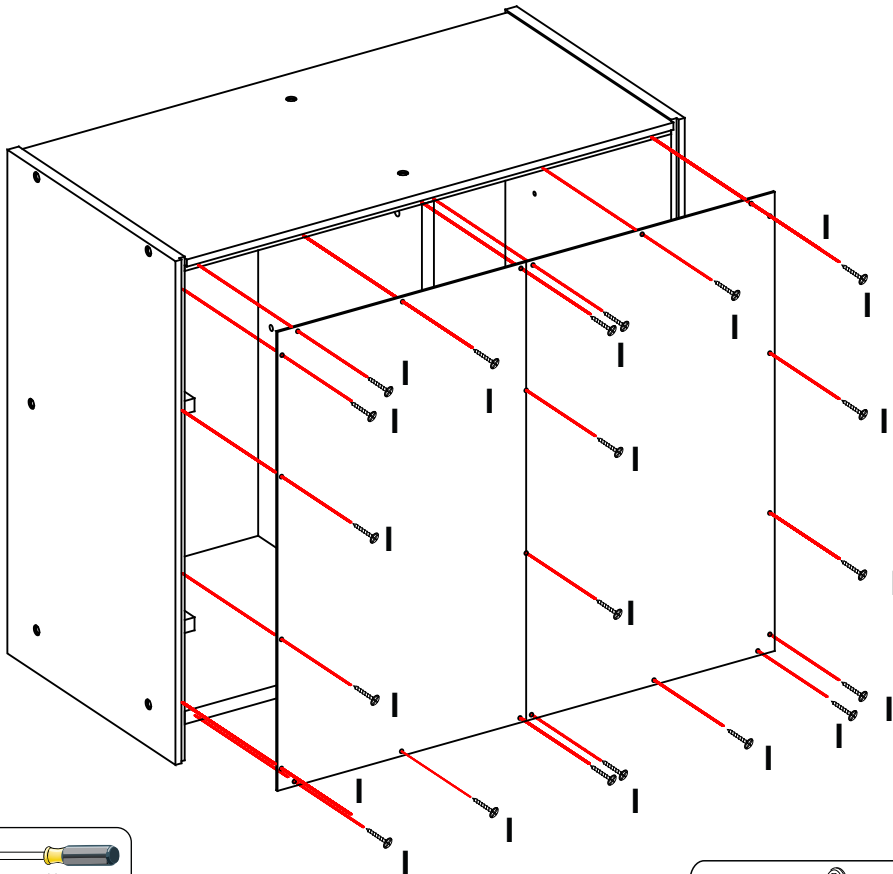
(-) SPACE



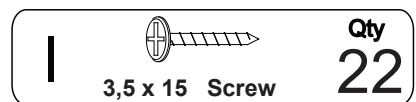
(+)SPACE



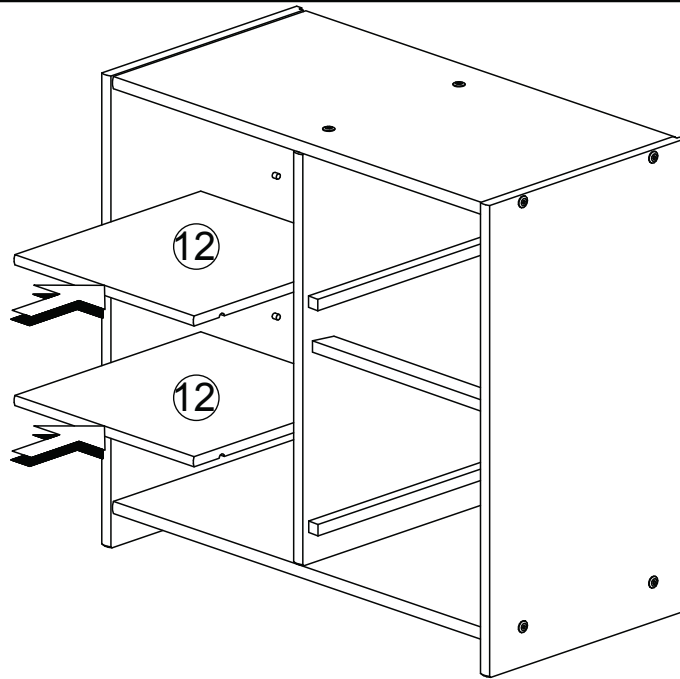
04



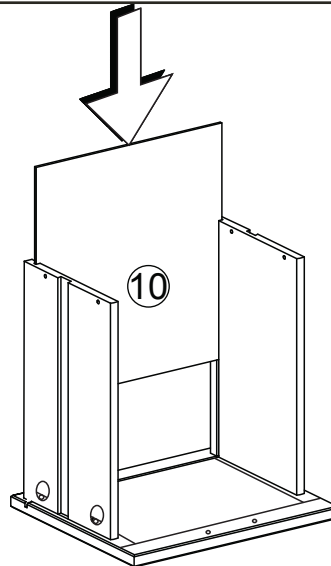
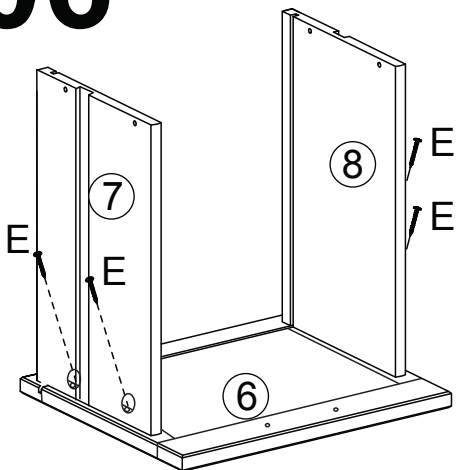
(Not included)



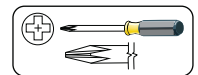
05




06



(x2)

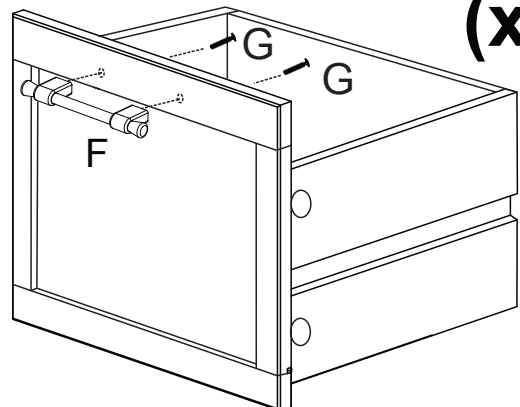
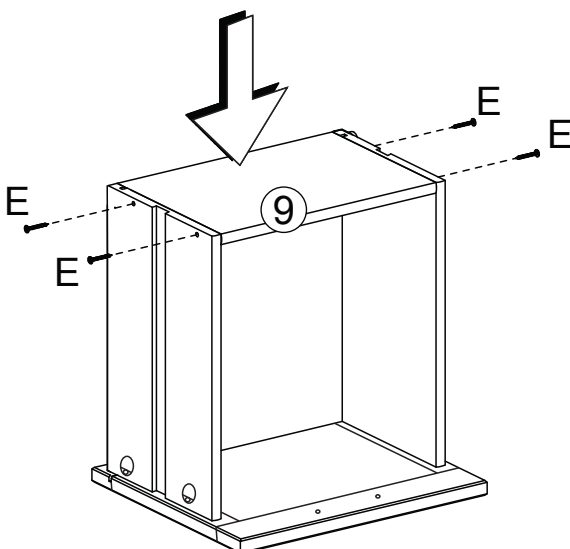


(Not included)


E  **3,5 x 30 Screw** Qty **08**

07

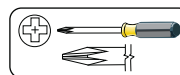
(x2)



(x2)

E  **3,5 x 30 Screw** Qty **08**

F  **Metal Knob** Qty **02**



(Not included)

G  **M4X25 Screw** Qty **04**

08

