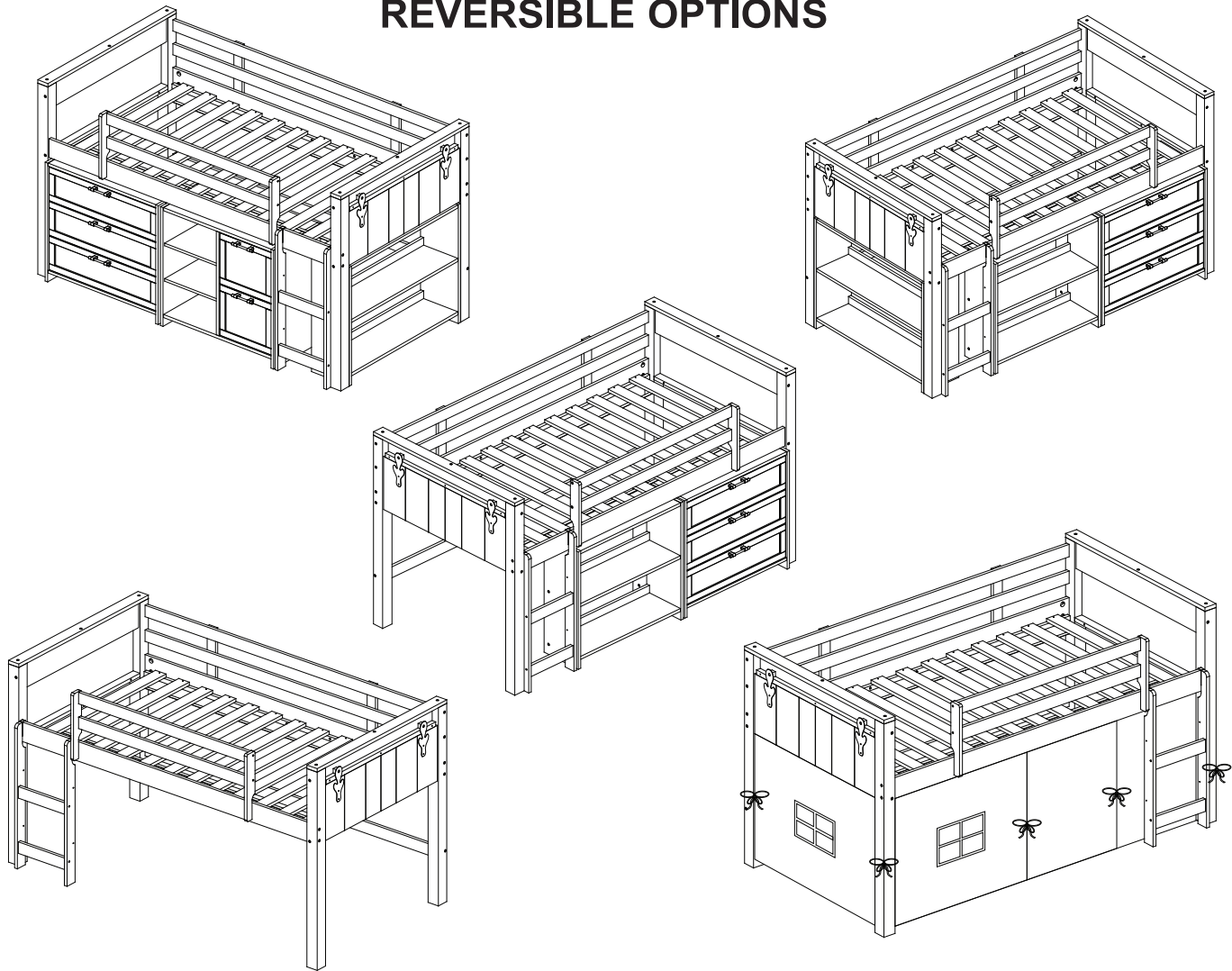


Fort Worth, Texas 76140

ASSEMBLY INSTRUCTIONS

0318 LOW LOFT BED

REVERSIBLE OPTIONS



OPTIONAL SETS (THE CASES ARE SOLD SEPARATE)

- 3 DRAWERS CHEST
- 2 DRAWERS CHEST
- SMALL BOOKCASE
- HEADBOARD BOOKCASE
- TENT KIT FABRIC

Thank you for purchasing this quality product. Be sure to check all packing material carefully for small parts which may have come loose inside the carton during shipment. Separate, identify and count all parts and hardware.

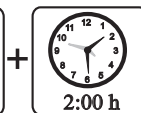
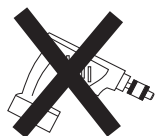
Compare with the parts list to be sure all parts are present.

"DO NOT TIGHTEN SCREWS UNTIL COMPLETELY ASSEMBLED"

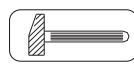
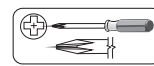
!

* Use of power tool to assemble this product will invalidate any claim and damage this product making unsafe !!!

* Please assemble on a clean soft surface to avoid damage.



Tools Required



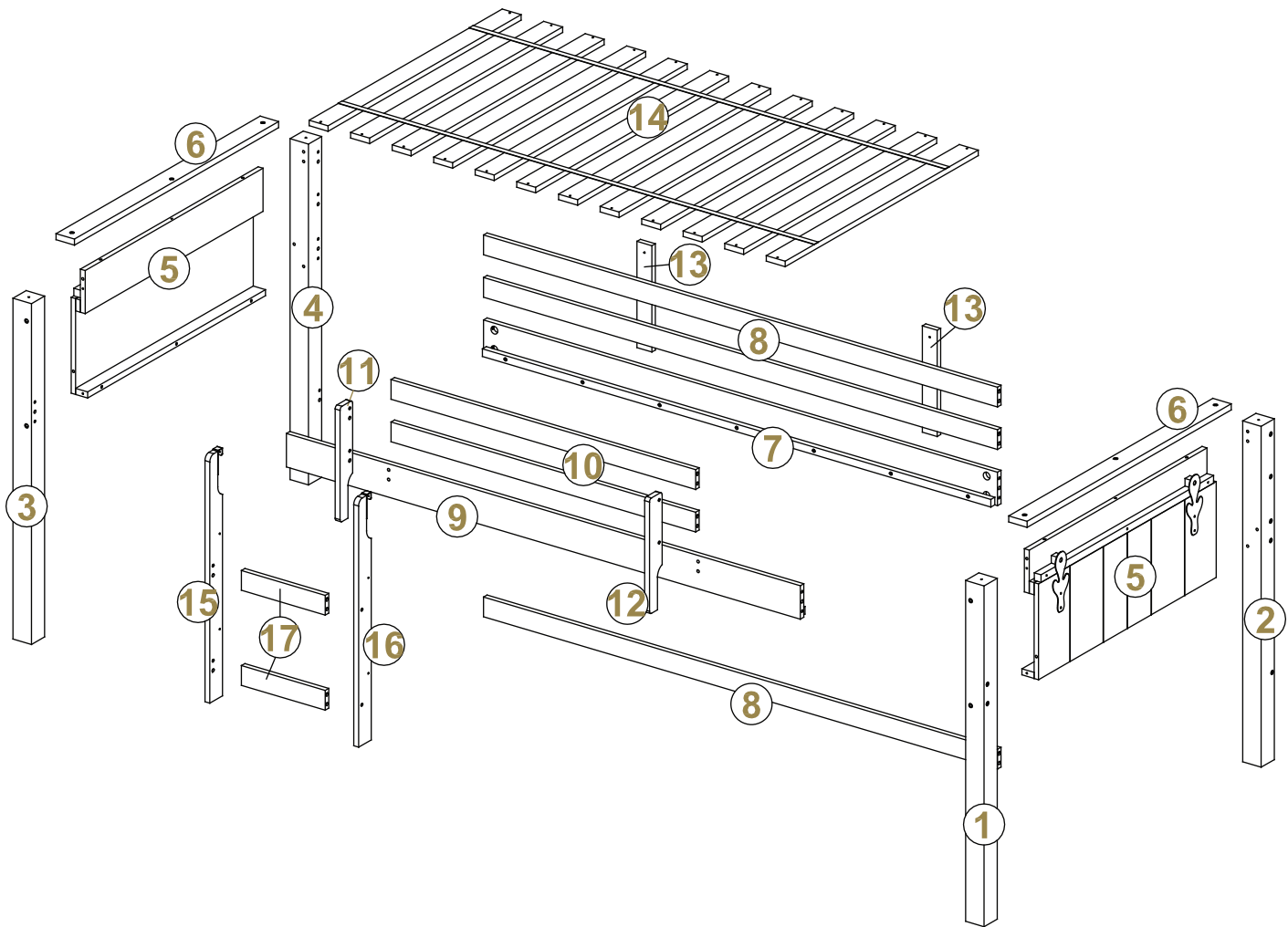
(Not included)

(Not included)





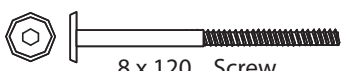
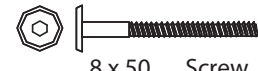






IMPORTANT:

PLEASE READ INSTRUCTION BEFORE STARTING THE ASSEMBLY

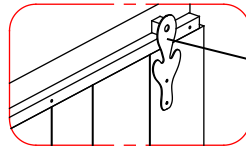
Part List - 0318 LOW LOFT BED



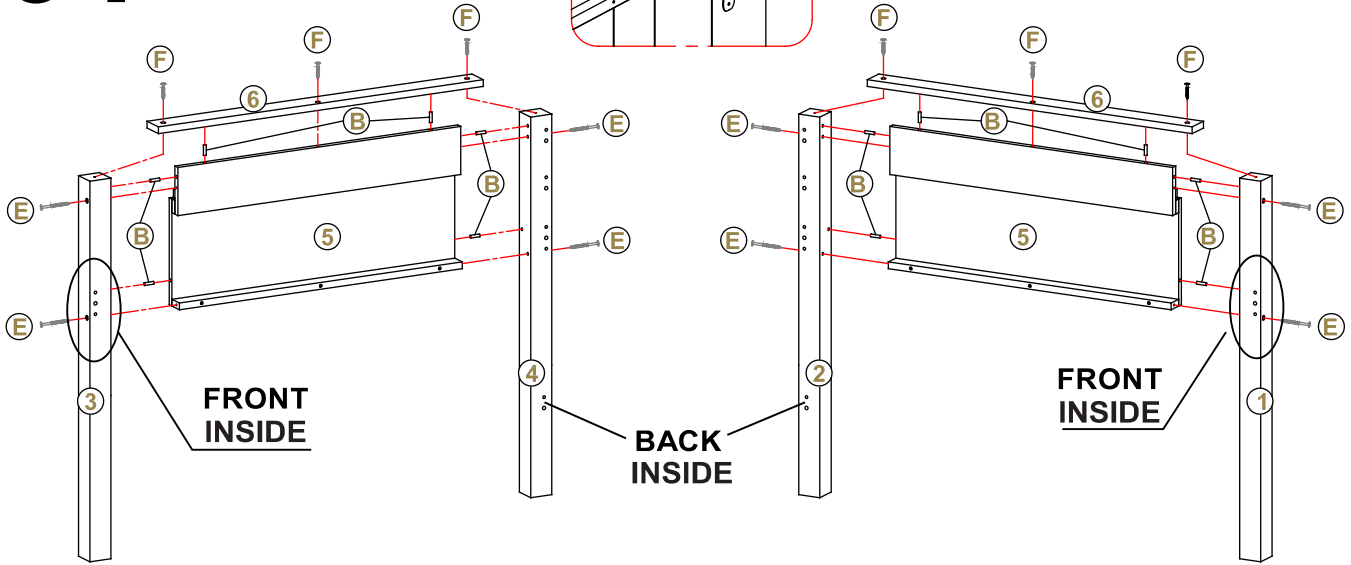
Identifying the Hardware-Identify the hardware using the illustrations below.


A  Qty 14 10 x 50 Wood Dowel	B  Qty 12 8 x 30 Wood Dowel	C  Qty 8 1/4 x 100 Bolt
D  Qty 08 1/4" Half Moon	E  Qty 14 8 x 120 Screw	F  Qty 18 8 x 50 Screw
G  Qty 30 4,0 x 30 Screw	H  Qty 02 4,0 x 40 Screw	I  Qty 02 Hook Ladder
J  Qty 06 3,5 x 16 Screw	K  Qty 02 Protector	L  Qty 01 Hex Screwdriver

01





SCHUTTER OUTSIDE ASSEMBLED



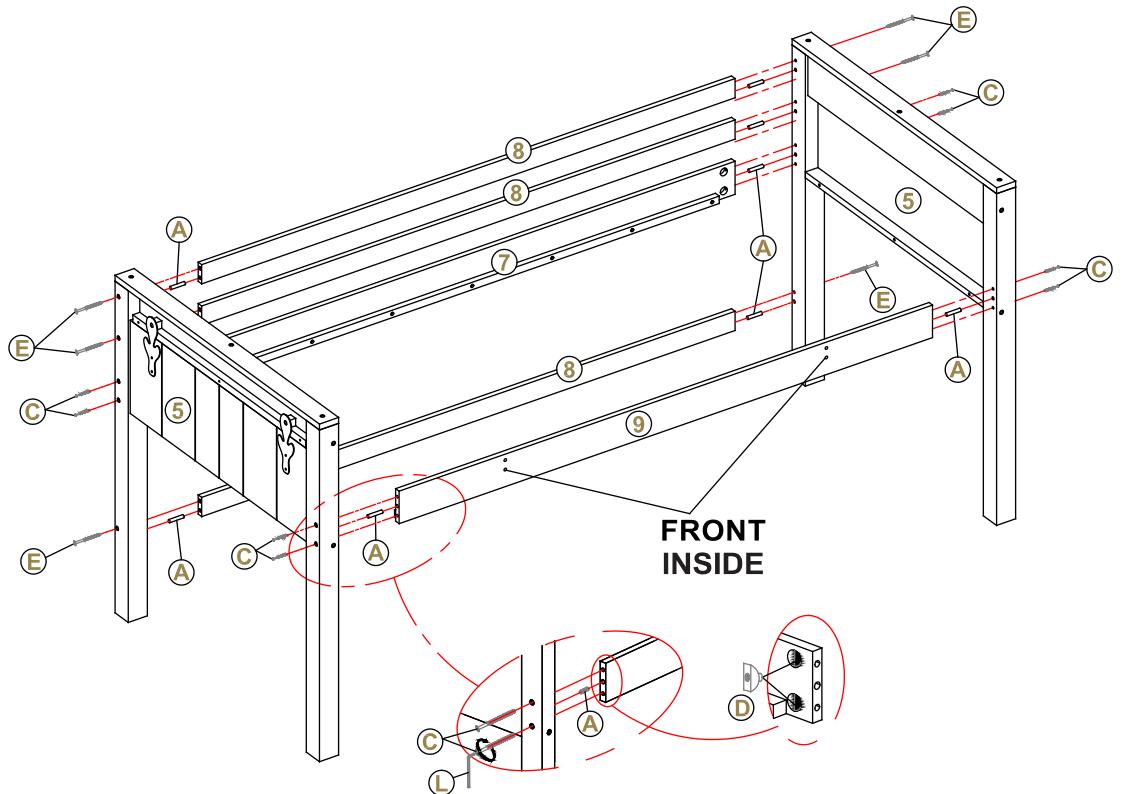
L  Qty **01**
Hex Screwdriver


B  Qty **12**
8 x 30 Wood Dowel


E  Qty **08**
8 x 120 Screw

F  Qty **06**
8 x 50 Screw

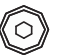
02




C  Qty **8**
1/4 x 100 Bolt

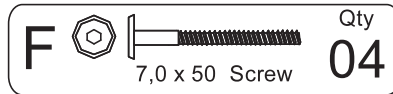
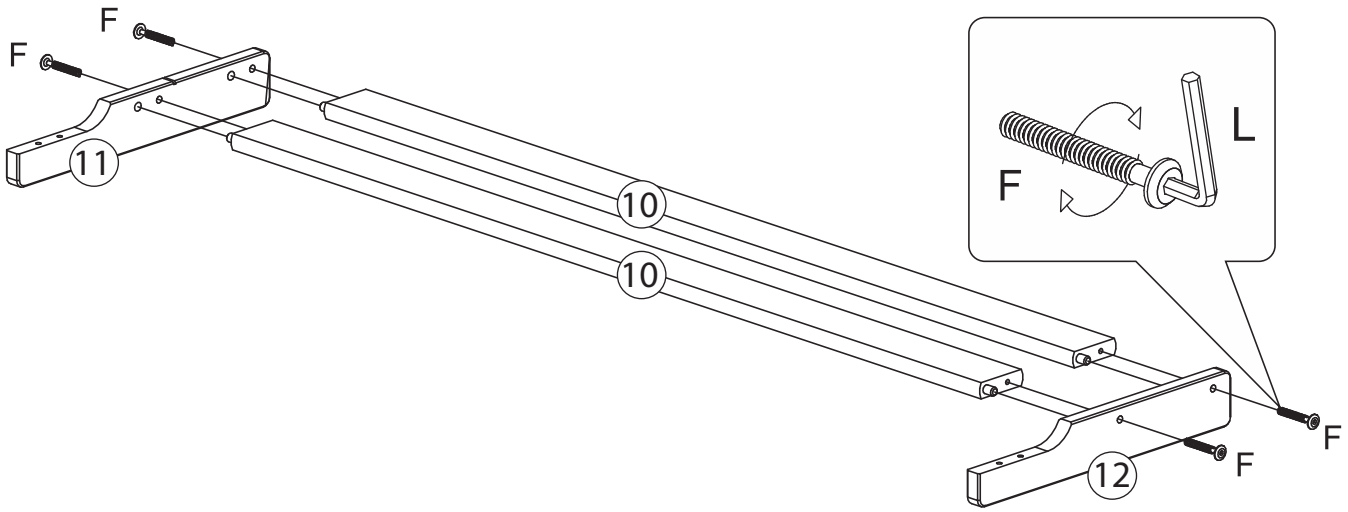
D  Qty **08**
1/4" Half Moon

A  Qty **10**
10 x 50 Wood Dowel

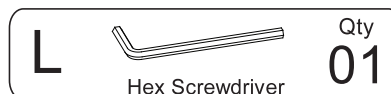
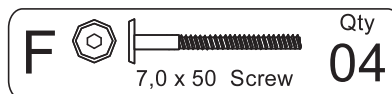
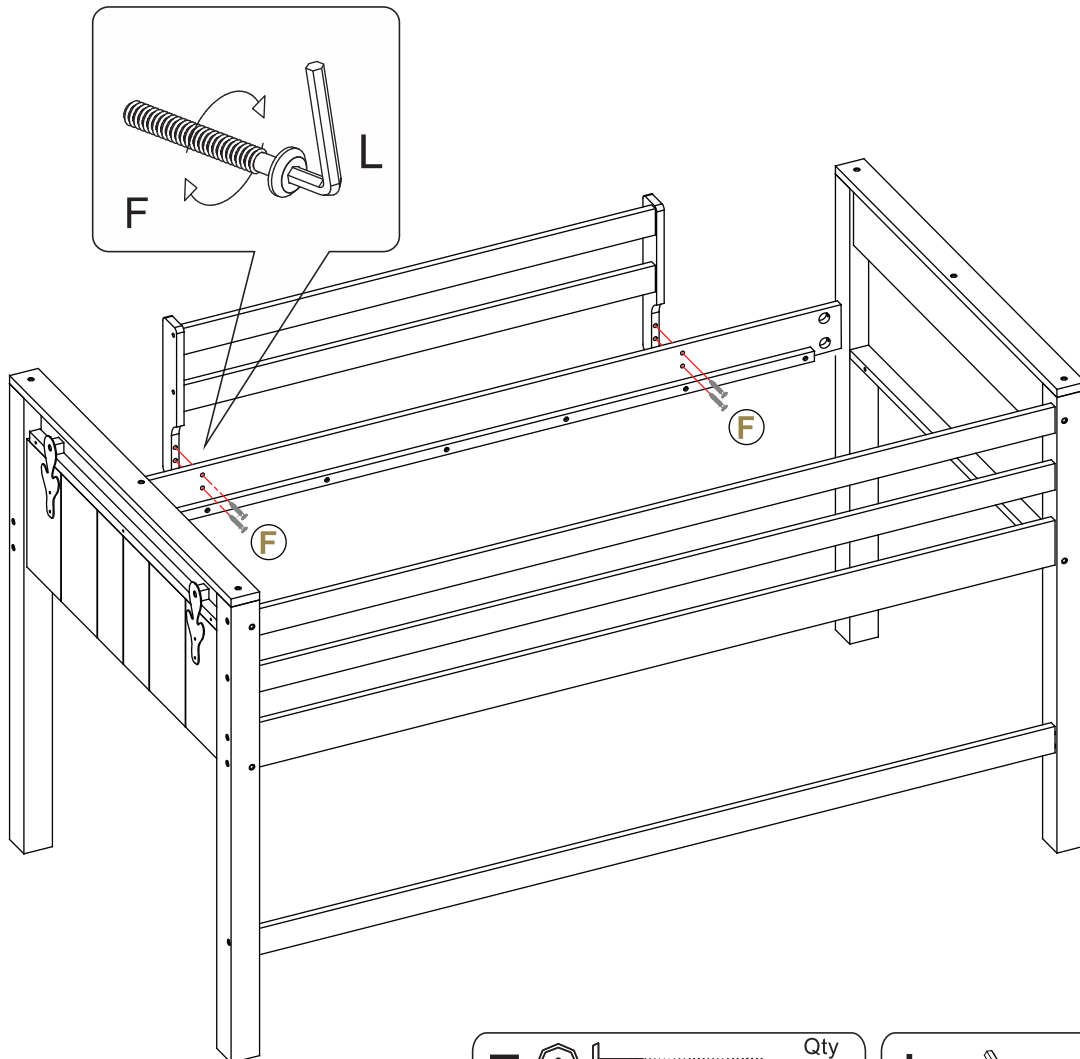
E  Qty **06**
8 x 120 Screw

L  Qty **01**
Hex Screwdriver

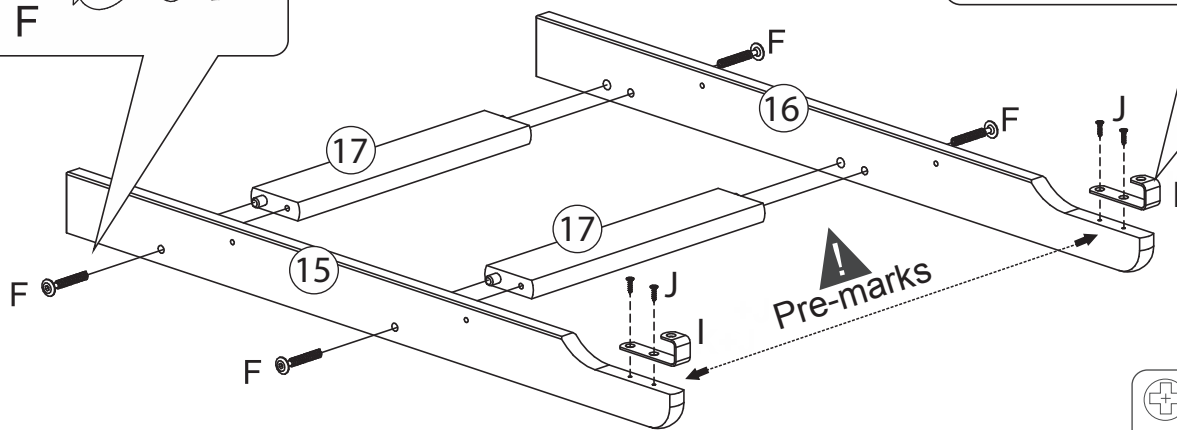
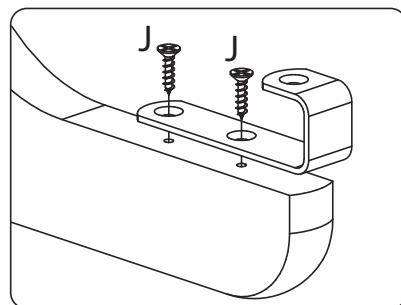
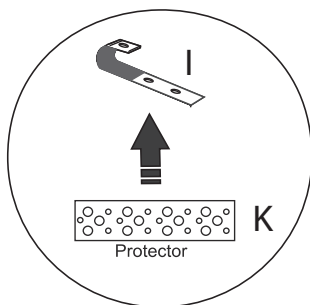
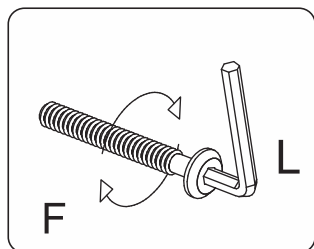
03



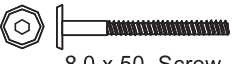
04




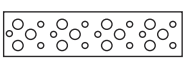
05 LADDER




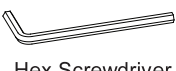
A  Qty **04**
10 x 50 Wood Dowel

F  Qty **04**
8,0 x 50 Screw

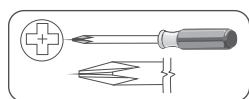
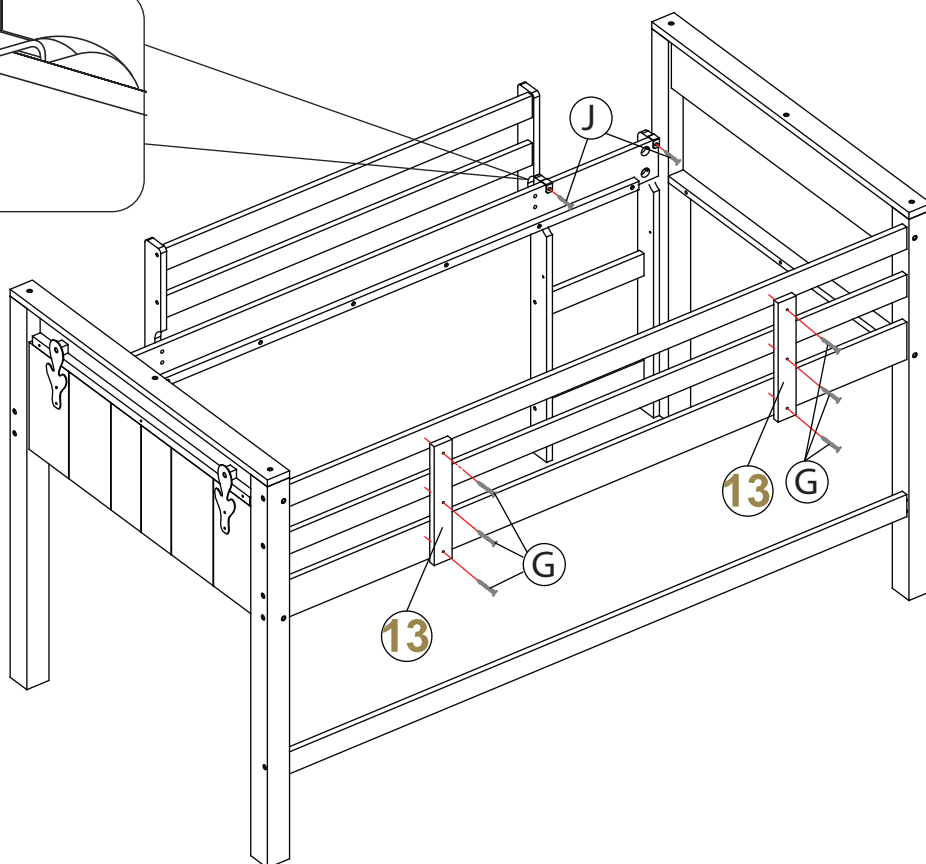
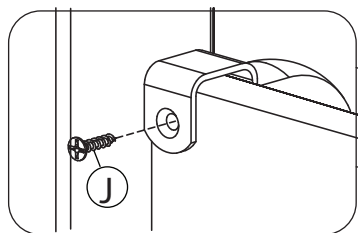
J  Qty **04**
3,5 x 16 Screw


K  Qty **02**
Protector


I  Qty **02**
Hook Ladder

L  Qty **01**
Hex Screwdriver

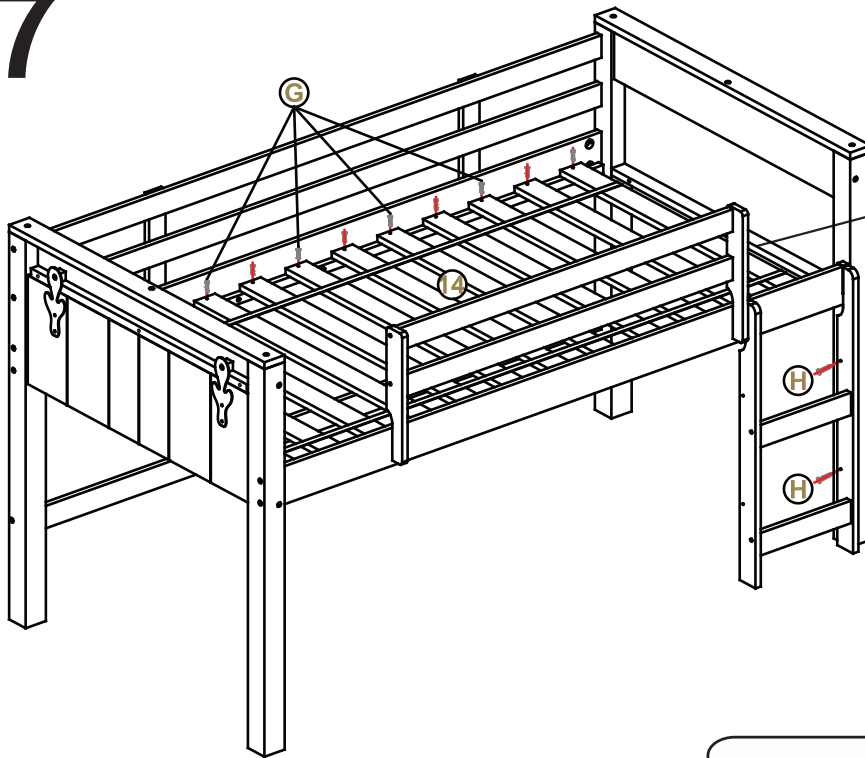
06



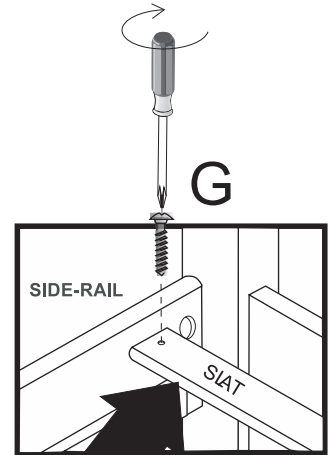
G  Qty **06**
4,0 x 30 Screw

J  Qty **02**
3,5 x 16 Screw

07

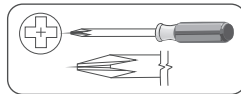



WARNING
THE MATTRESS
SURFACE MUST NOT
BE ABOVE THIS LINE
"MATTRESS 8" HIGH LIMITED"




**The first slats must be fixed at
3" from each headboard end.**

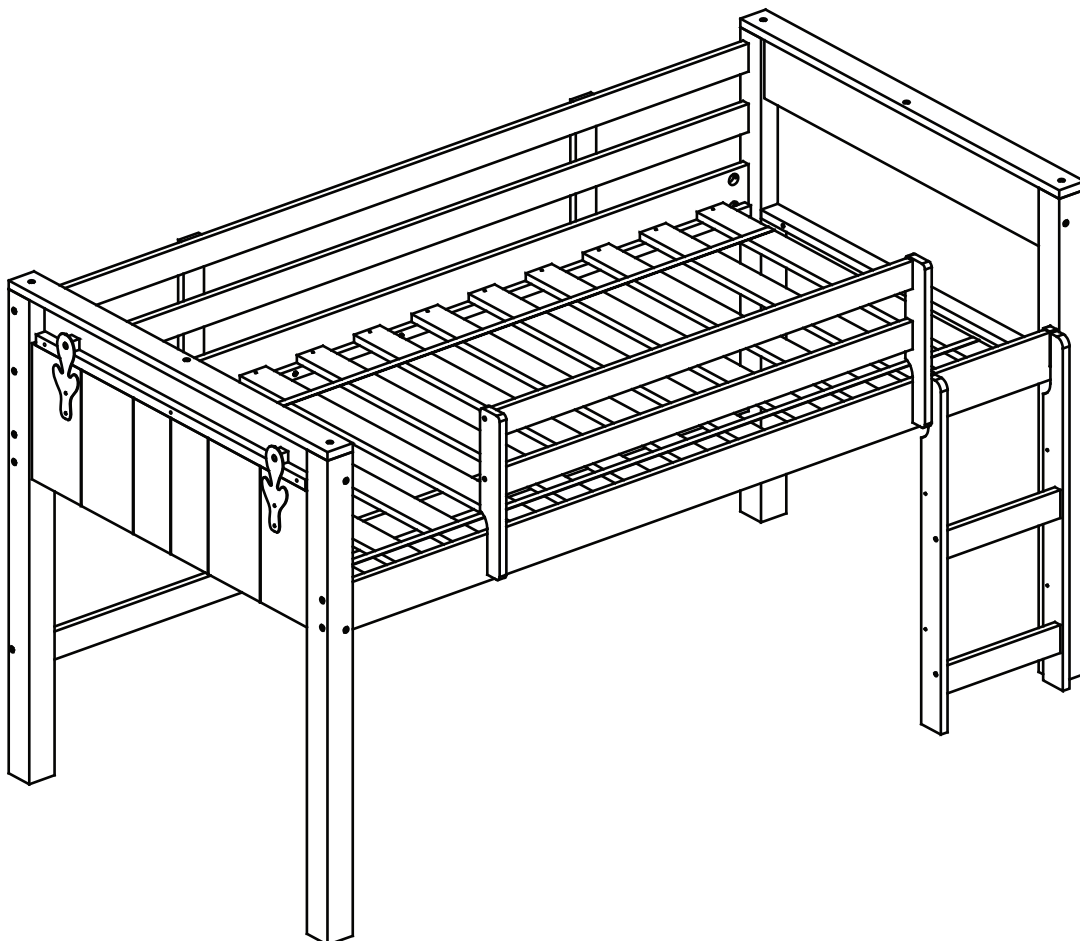
**INSTALL SLAT KIT WITH SPACER
TAPE ON TOP (FACING UP)**



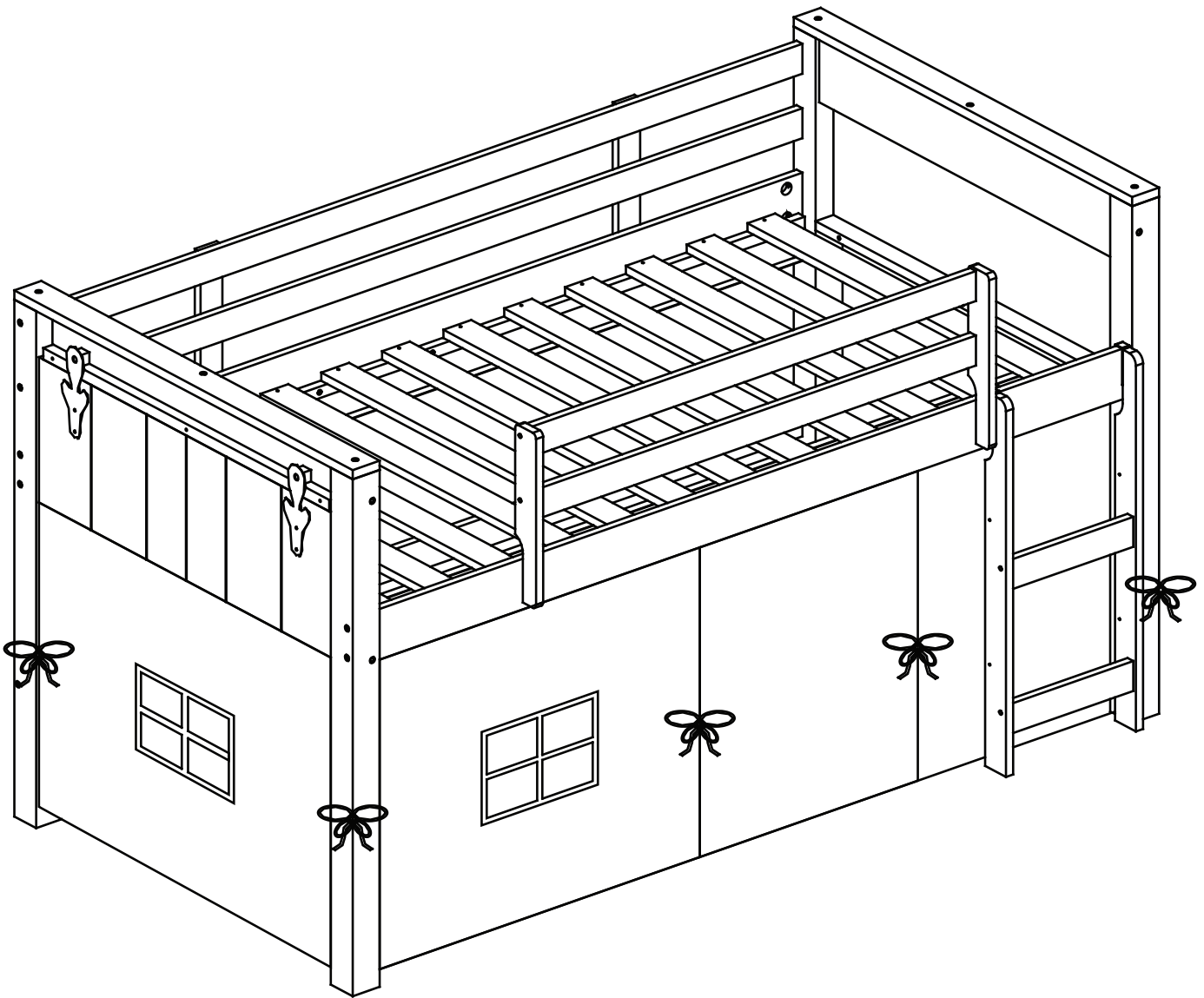
H  Qty **02**
4,0 x 40 Screw

G  Qty **24**
4,0 x 30 Screw

08

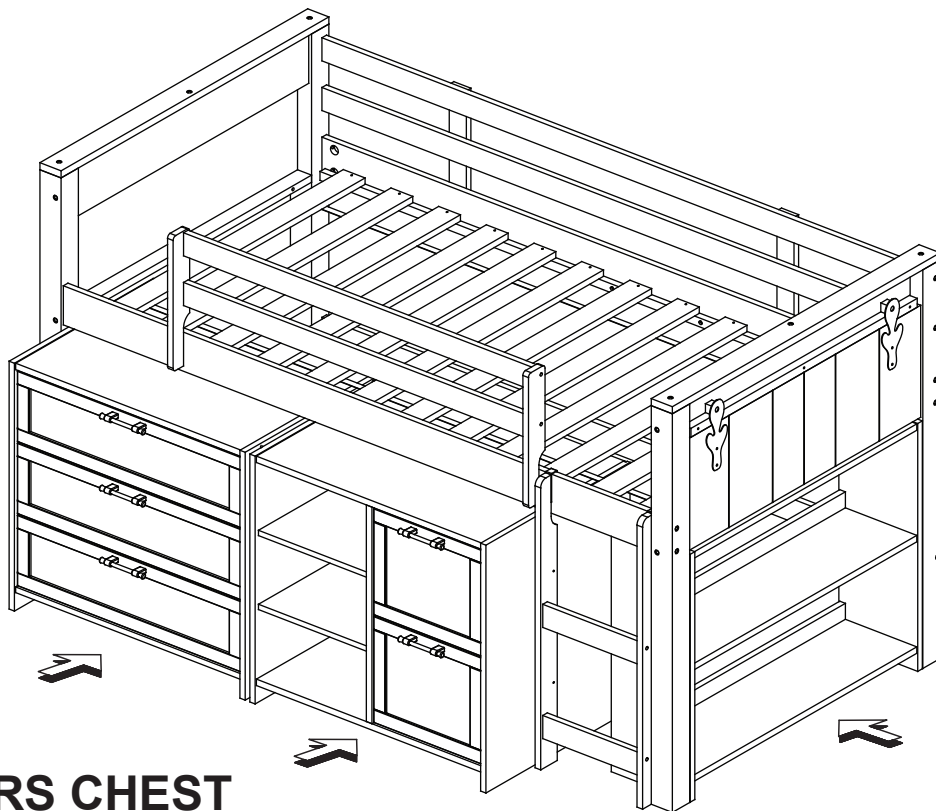


BED ONLY

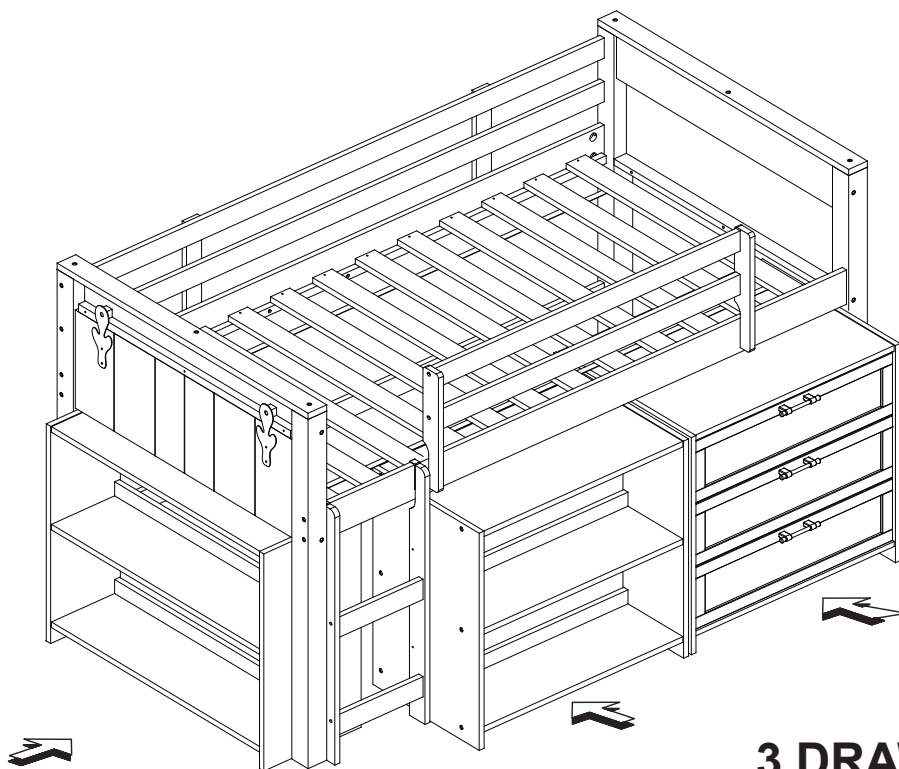


TENT SET FABRIC

OPTION COMPONENTS

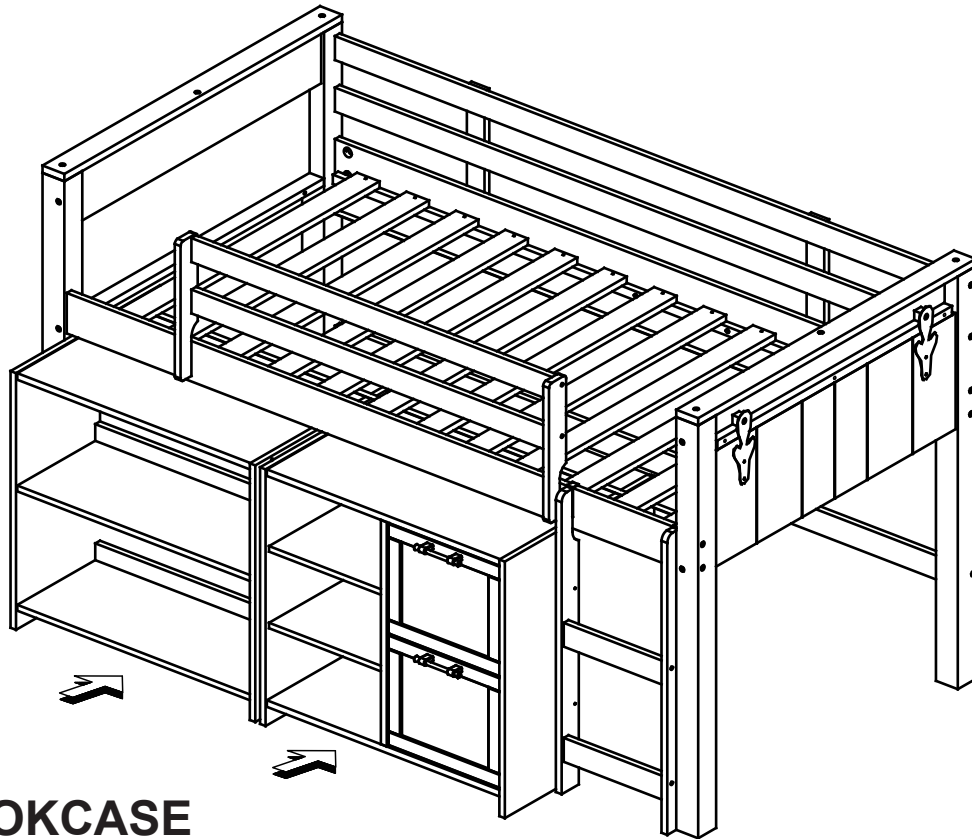


**3 DRAWERS CHEST
2 DRAWERS CHEST
HEADBOARD BOOKCASE**

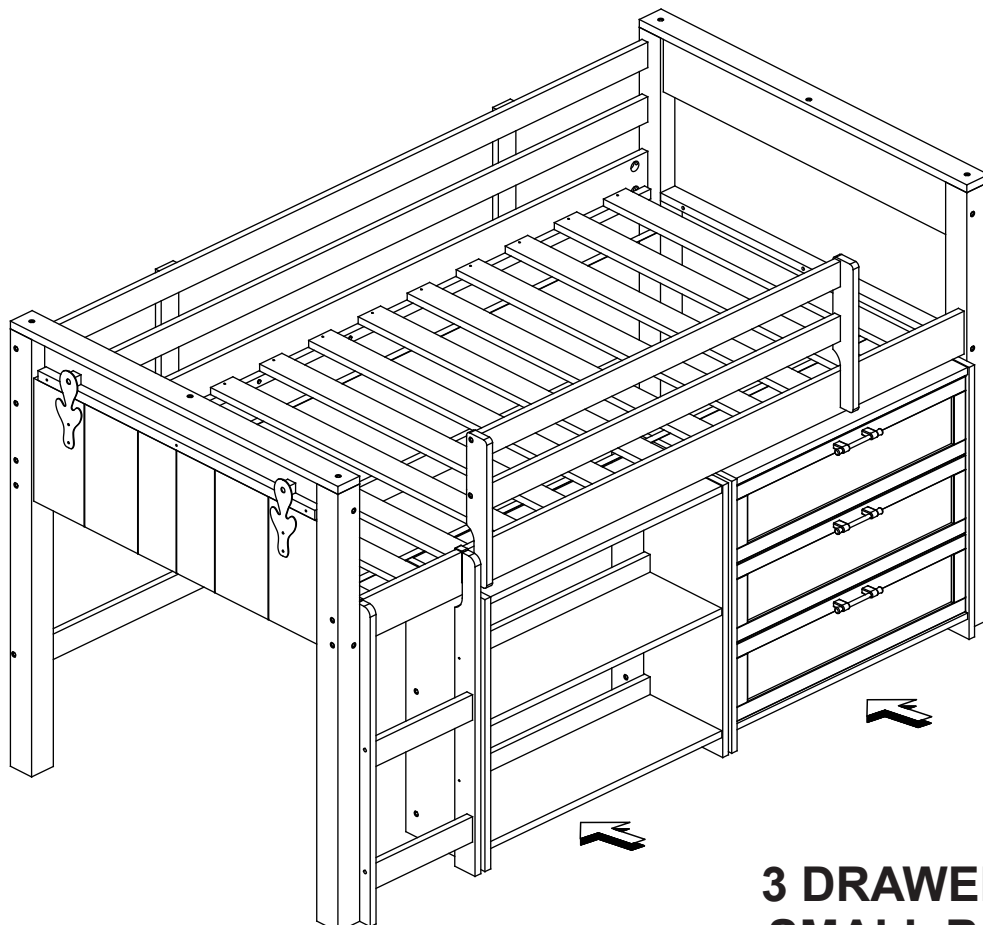


**3 DRAWERS CHEST
SMALL BOOKCASE
HEADBOARD BOOKCASE**

OPTION COMPONENTS



**SMALL BOOKCASE
2 DRAWERS CHEST**



**3 DRAWERS CHEST
SMALL BOOKCASE**