



Model: 318 PRINCETON TWIN FULL BUNK BED

SAFETY WARNINGS

1. Follow the information on the warnings appearing on the upper bunk end structure and on the carton. Do not remove warning label from bed
2. Always use the recommended size mattress or mattress support, or both, to help prevent the likelihood of entrapment or falls.
3. Surface of mattress must be at least 5 inches (127mm) below the upper edge of guardrails.
4. Do not allow children under 6 years of age to use the upper bunk
5. Prohibit more than one person on the upper bunk
6. Periodicall, check and ensure that the guardrail, ladder, and other components are in their proper position, free from damage, and that all connectors are tight
7. Do not allow horseplay on or under the bed and prohibit jumping on the bed
8. Always use the ladder for entering and leaving the upper bunk.
9. Do not use substitute parts. Contact the manufacturer or dealer for replacement parts.
10. Use of a nightlight may provide added safety precaution for a child using the upper bunk.
11. Always use guardrail on both long sides of the upper bunk. If bunk bed will be placed next to the wall, the guardrail that runs the full length of the bed should be place against the wall to prevent entrapment between the bed and wall.
12. The use of water or sleep flotation mattresses is prohibited.
13. Keep these instruction for future reference.

STRANGULATION HAZARD

Never attach or hang items to any part of the bunk bed that are not designed for use with the bed; for example, but not limited to, hooks, belts and jump ropes.

SIZE OF MATTRESS AND FOUNDATION

Use only mattress which is 74" - 75" long and 37 1/2" - 38 1/2" wide on twin upper bunk

Use only mattress which is 74" - 75" long and 52 1/2" - 53 1/2" wide on full lower bunk

Ensure thickness of mattress and foundation combined does not exceed 8" and mattress and is at least 5" below upper edge of guardrails.

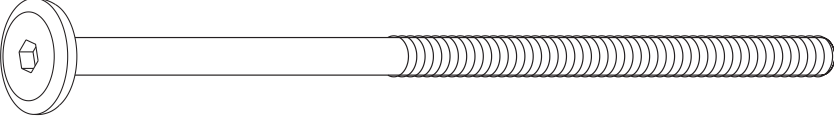
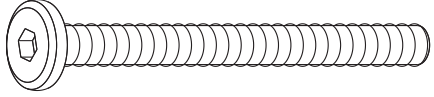
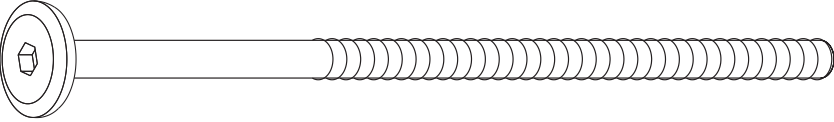
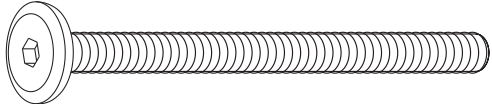

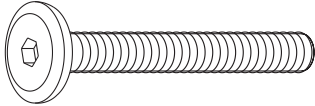
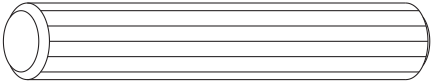
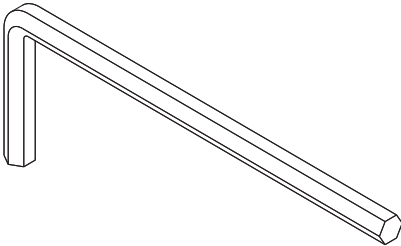
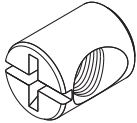
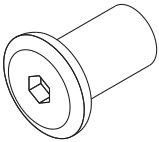
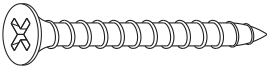
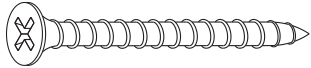
Replacement parts, maybe obtained from any Donco dealer or directly from us at the below address.

6801 Snowden Road Fort
Worth, Texas 76140

BUNK BED ASSEMBLY MANUAL

#318




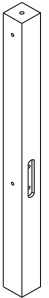

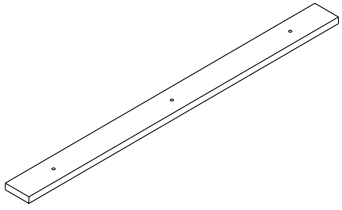
HARDWARE LIST

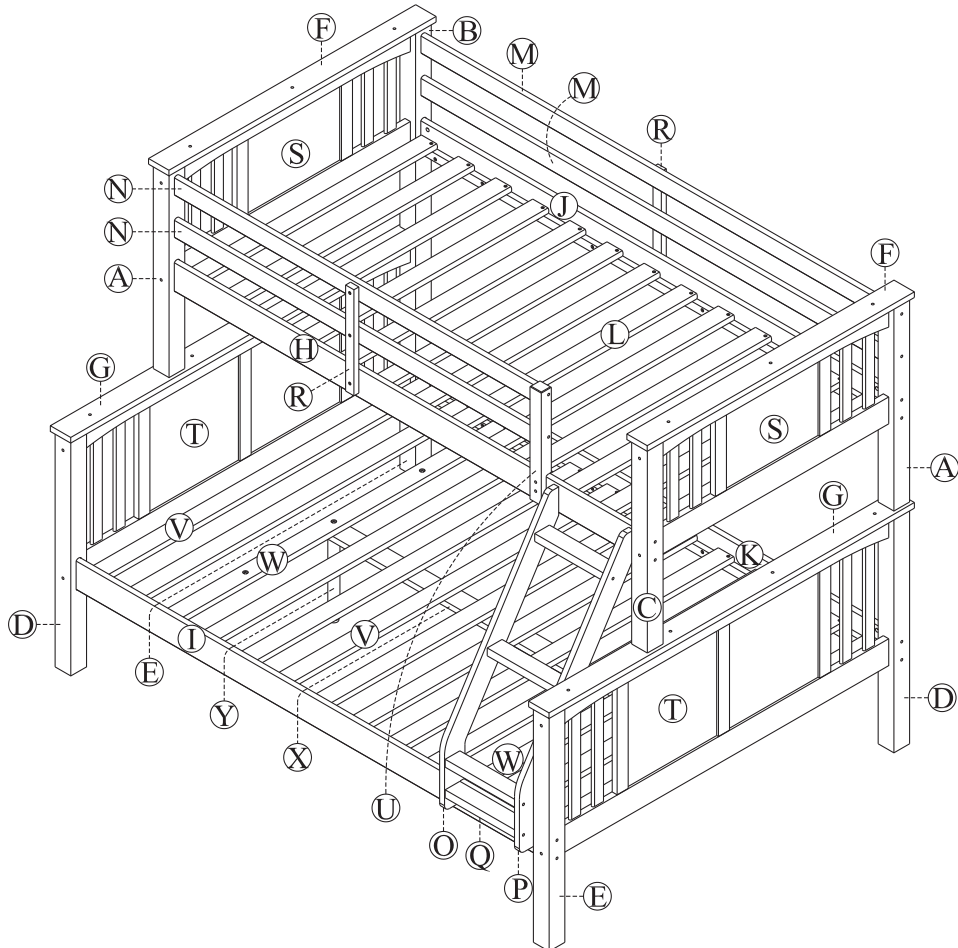
<p>1</p>  <p>Φ 1/4" x 100mm</p>	<p>2</p>  <p>Φ 6.5mm x 48mm</p>	
<p>JOINT CONNECTOR (4mm HEX HEAD) 16 PCS</p>	<p>WOOD JOINT CONNECTOR (4mm HEX HEAD) 26 PCS</p>	
<p>3</p>  <p>Φ 6.5mm x 100mm</p>	<p>4</p>  <p>Φ 1/4" x 55mm</p>	
<p>WOOD JOINT CONNECTOR (4mm HEX HEAD) 24 PCS</p>	<p>JOINT CONNECTOR (4mm HEX HEAD) 2 PCS</p>	
<p>5</p>  <p>Φ 10mm x 100mm</p>	<p>6</p>  <p>Φ 1/4" x 32mm</p>	
<p>METAL DOWEL 4 PCS</p>	<p>JOINT CONNECTOR (4mm HEX HEAD) 2 PCS</p>	
<p>7</p>  <p>Φ 10mm x 50mm</p>	<p>8</p> 	<p>9</p>  <p>Φ 11.8mm x 15mm</p>
<p>WOOD DOWEL 40 PCS</p>	<p>ALLEN KEY 1 PC</p>	<p>BARREL NUT 16 PCS</p>
<p>10</p>  <p>Φ 9mm x 17mm</p>	<p>11</p>  <p>Φ 4mm x 30mm</p>	<p>12</p>  <p>Φ 4mm x 35mm</p>
<p>HEX CAP 2 PCS</p>	<p>FLAT HEAD SCREW 6 PCS</p>	<p>FLAT HEAD SCREW 52 PCS</p>

BUNK BED ASSEMBLY MANUAL

#318

PARTS LIST

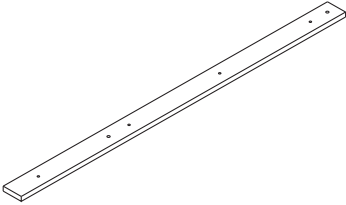
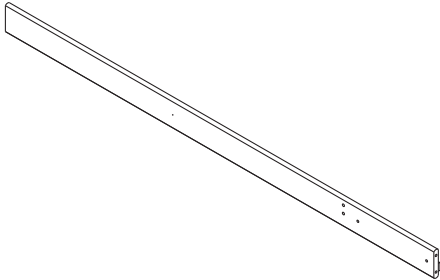
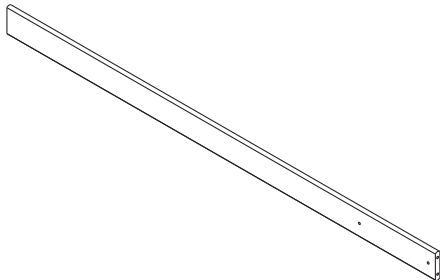
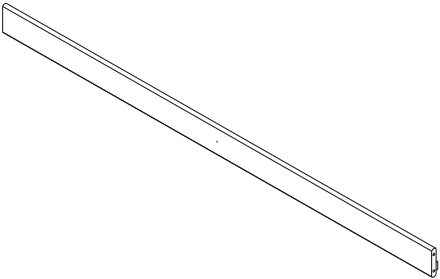
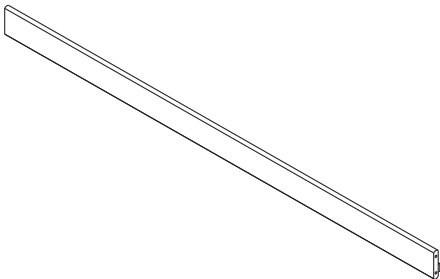
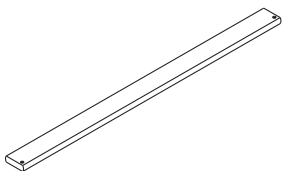
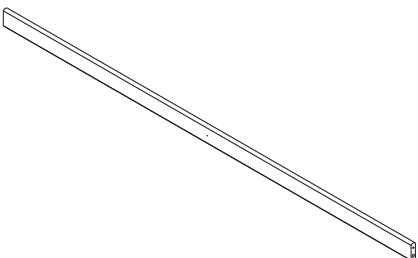
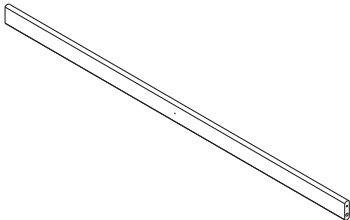
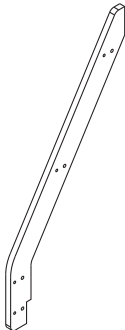
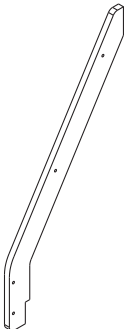
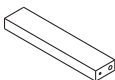

<p>A</p> 	<p>B</p> 	<p>C</p> 
<p>TOP POST 2 PCS</p>	<p>TOP POST 1 PC</p>	<p>TOP POST 1 PC</p>
<p>D</p> 	<p>E</p> 	<p>F</p> 
<p>BOTTOM POST 2 PCS</p>	<p>BOTTOM POST 2 PCS</p>	<p>UPPER HEADBOARD TOP CAP 2 PCS</p>



BUNK BED ASSEMBLY MANUAL

#318

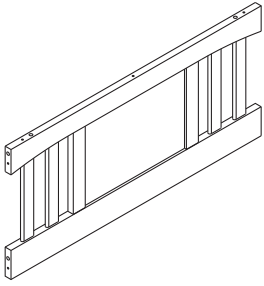
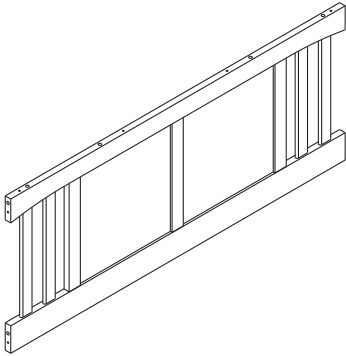

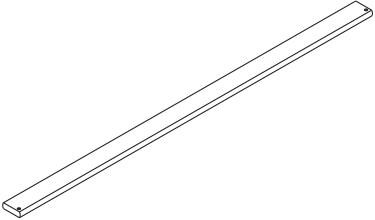
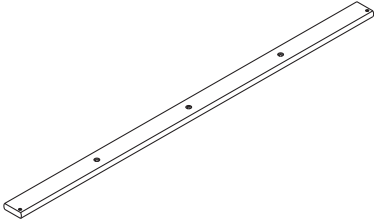
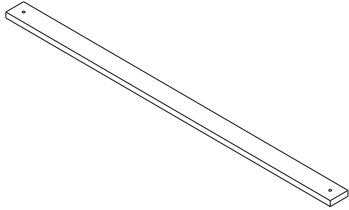

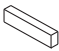
PARTS LIST

<p>G</p> 	<p>H</p> 	<p>I</p> 
<p>LOWER HEADBOARD TOP CAP 2 PCS</p>	<p>TOP FRONT SIDE RAIL 1 PC</p>	<p>BOTTOM FRONT SIDE RAIL 1 PC</p>
<p>J</p> 	<p>K</p> 	<p>L</p> 
<p>TOP BACK SIDE RAIL 1 PC</p>	<p>BOTTOM BACK SIDE RAIL 1 PC</p>	<p>TOP SLAT 13 PCS</p>
<p>M</p> 	<p>N</p> 	<p>O</p> 
<p>LONG GUARDRAIL 2 PCS</p>	<p>SHORT GUARDRAIL 2 PCS</p>	<p>LEFT LADDER END 1 PC</p>
<p>P</p> 	<p>Q</p> 	<p>R</p> 
<p>RIGHT LADDER END 1 PC</p>	<p>LADDER STEP 4 PCS</p>	<p>GUARDRAIL LEG 2 PCS</p>

BUNK BED ASSEMBLY MANUAL

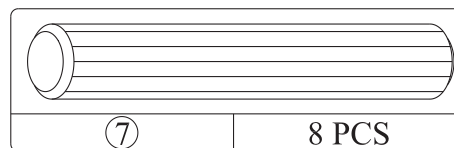
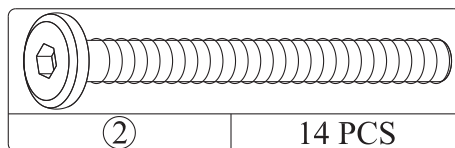
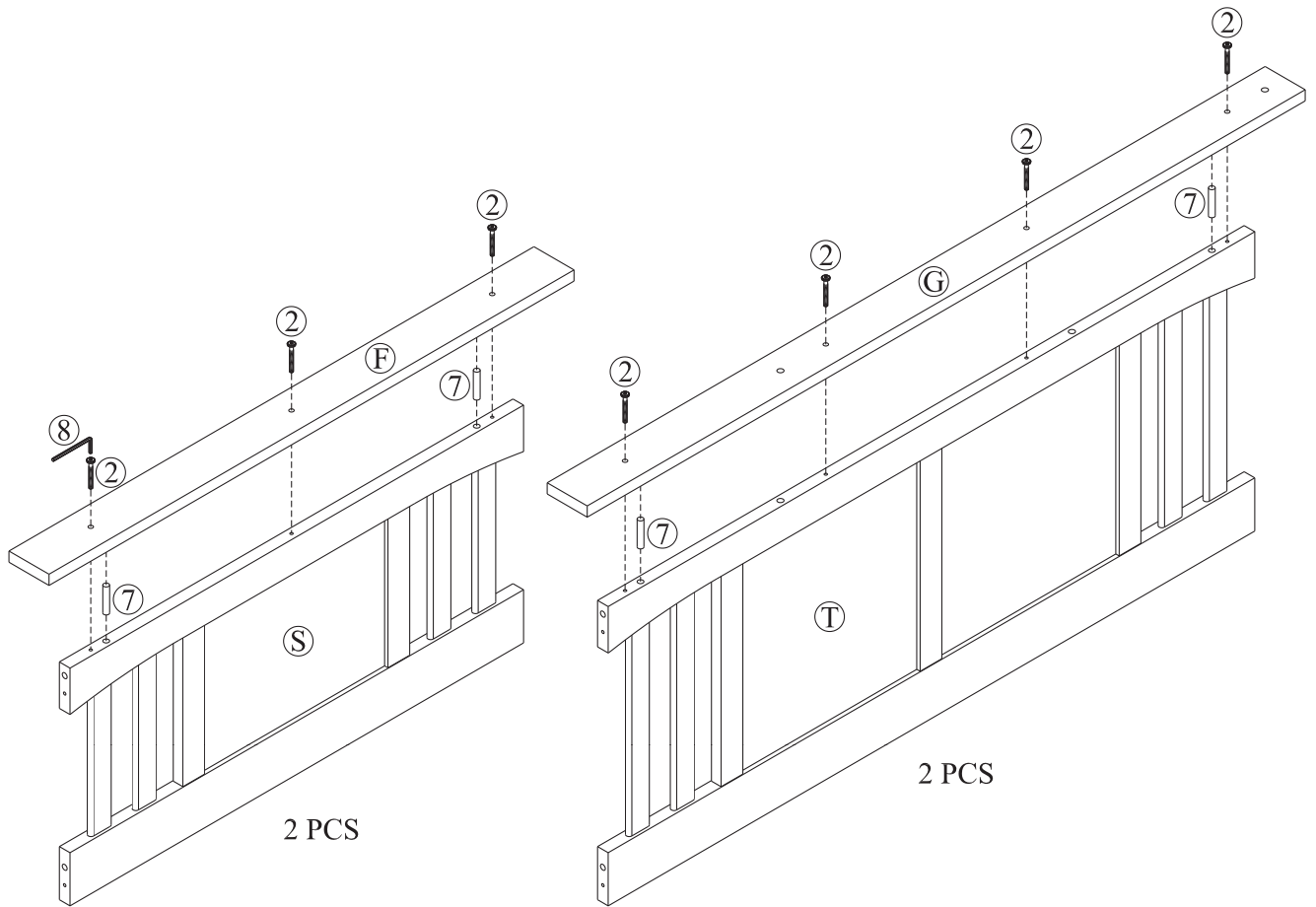
#318

PARTS LIST

<p>S</p> 	<p>T</p> 	<p>U</p> 
<p>TOP HEADBOARD ASSEMBLY 2 PCS</p>	<p>BOTTOM HEADBOARD ASSEMBLY 2 PCS</p>	<p>SHORT GUARDRAIL POST 1 PC</p>
<p>V</p> 	<p>W</p> 	<p>X</p> 
<p>BOTTOM SLAT WITHOUT HOLE 11 PCS</p>	<p>BOTTOM SLAT WITH HOLES 2 PCS</p>	<p>BOTTOM SLATS SUPPORT PLATE 1 PC</p>
<p>Y</p> 	<p>Z</p> 	
<p>SUPPORT POST 2 PCS</p>	<p>SPACE BLOCK 3 1/4 2 PCS</p>	

BUNK BED ASSEMBLY MANUAL

#318



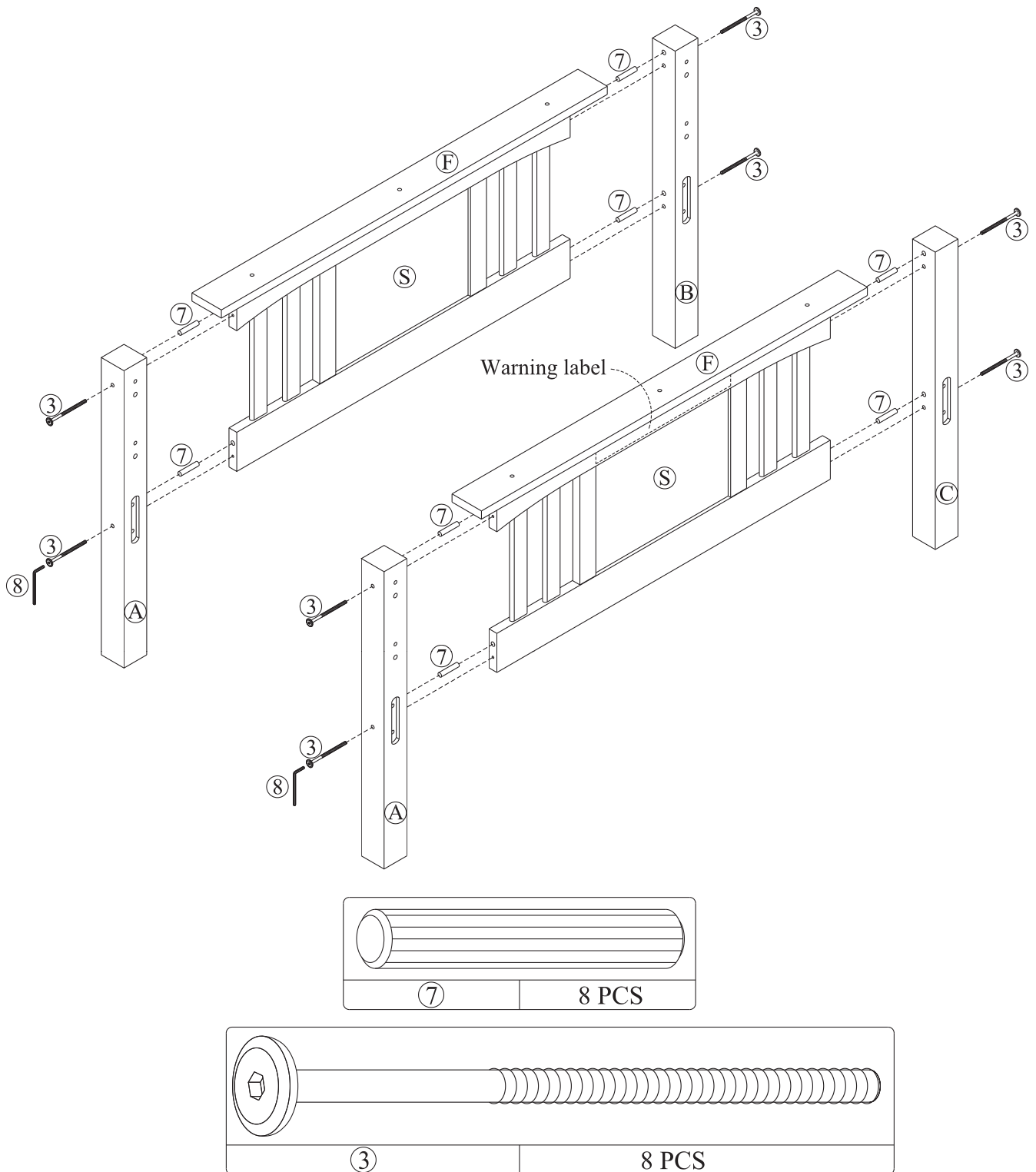
STEP 1

Insert wood dowels (7) into the large holes of the top headboard assembly (S), Attach upper headboard top cap (F) to top headboard assembly (S) using wood joint connectors (2) as shown. Tighten the wood joint connectors (2) with the allen key (8).

Insert wood dowels (7) into the large holes of the bottom headboard assembly (T), Attach lower headboard top cap (G) to bottom headboard assembly (T) using wood joint connectors (2) as shown. Tighten the wood joint connectors (2) with the allen key (8).

BUNK BED ASSEMBLY MANUAL

#318



STEP 2

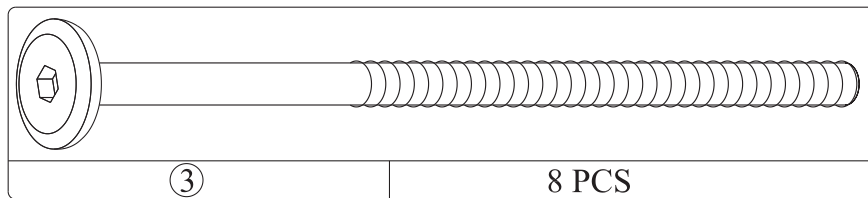
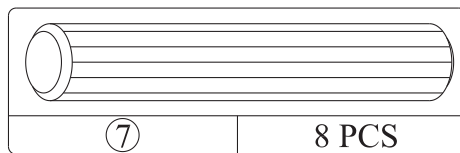
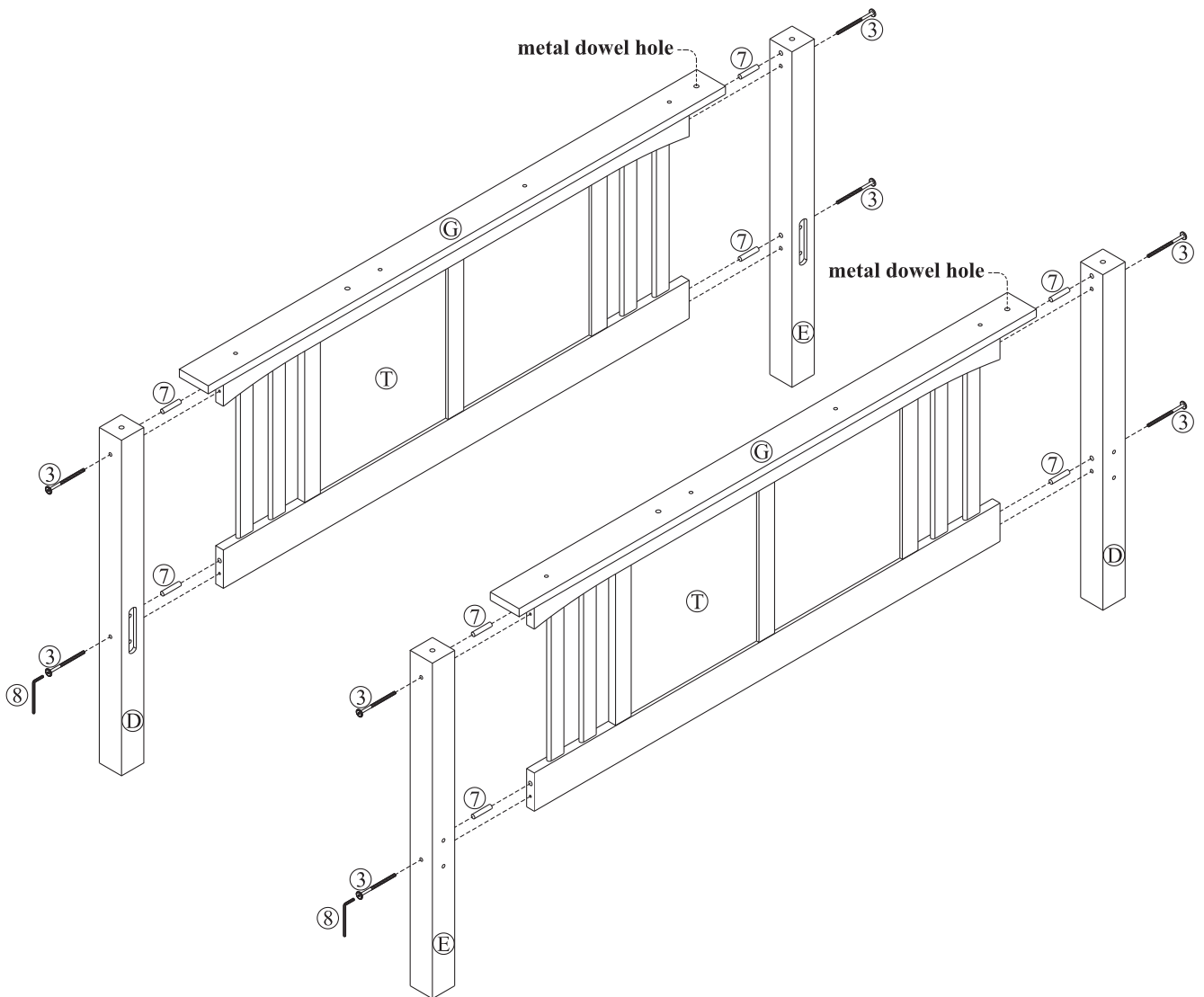
Insert wood dowels (7) into the end holes of the top headboard assembly (S). Attach top posts (A) and (B) to the top headboard assembly (S) using wood joint connectors (3) as shown. Tighten the wood joint connectors (3) with the allen key (8).

Repeat the previous step to assemble the remaining one sets of top headboards.

NOTE: Be sure to use top headboard assembly (S) with warning label attached to it between top posts (A) and (C). See illustration for label orientation.

BUNK BED ASSEMBLY MANUAL

#318



STEP 3

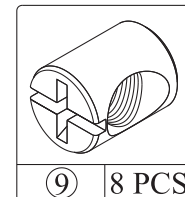
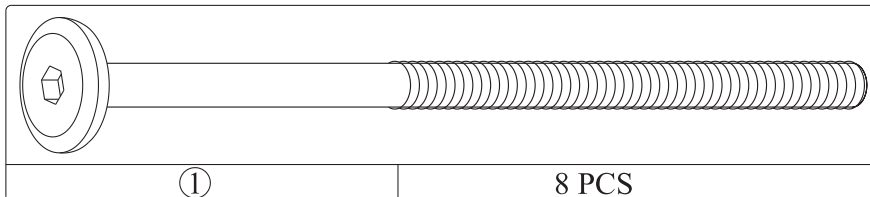
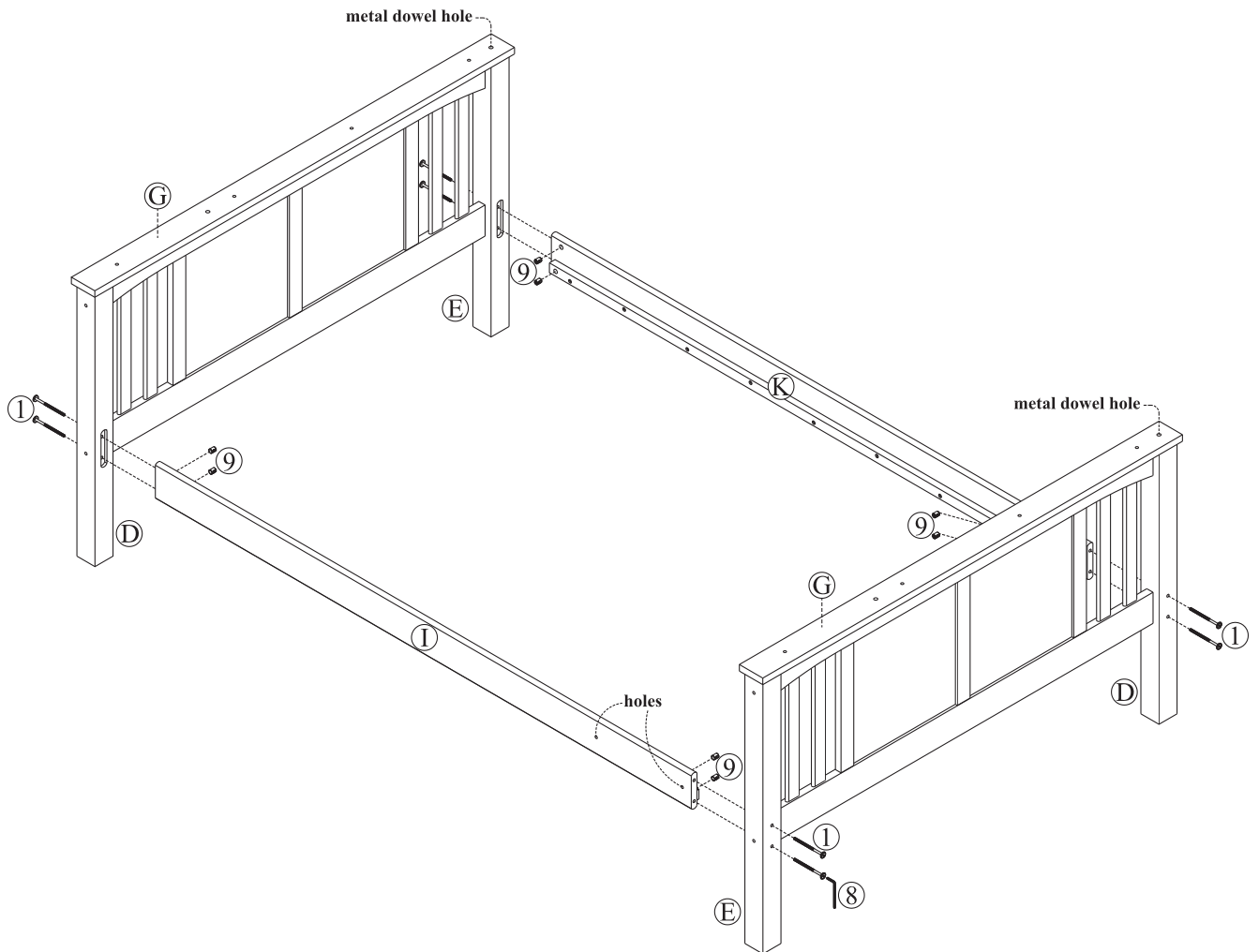
Insert wood dowels (7) into the end holes of the bottom headboard assembly (T). Attach bottom posts (D) and (E) to the bottom headboard assembly (T) using wood joint connectors (3) as shown. Tighten the wood joint connectors (3) with the allen key (8).

Repeat the previous step to assemble the remaining one sets of bottom headboards.

NOTE: One of the end of lower headboard top cap (G) has metal dowel hole on it, Be sure to attach the bottom post (E) in this end for first pair, attach the bottom post (D) in this end for second pair.

BUNK BED ASSEMBLY MANUAL

#318



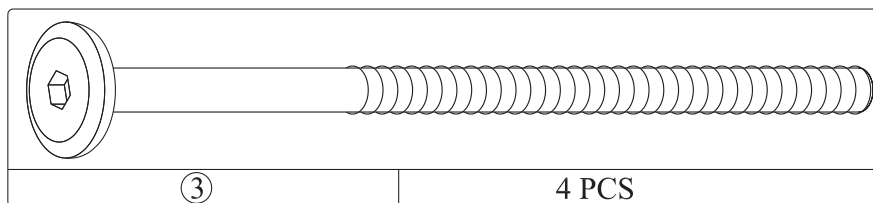
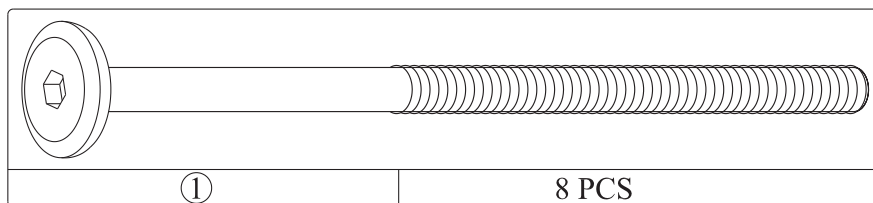
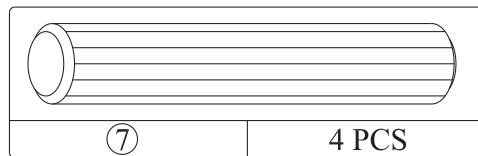
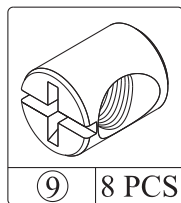
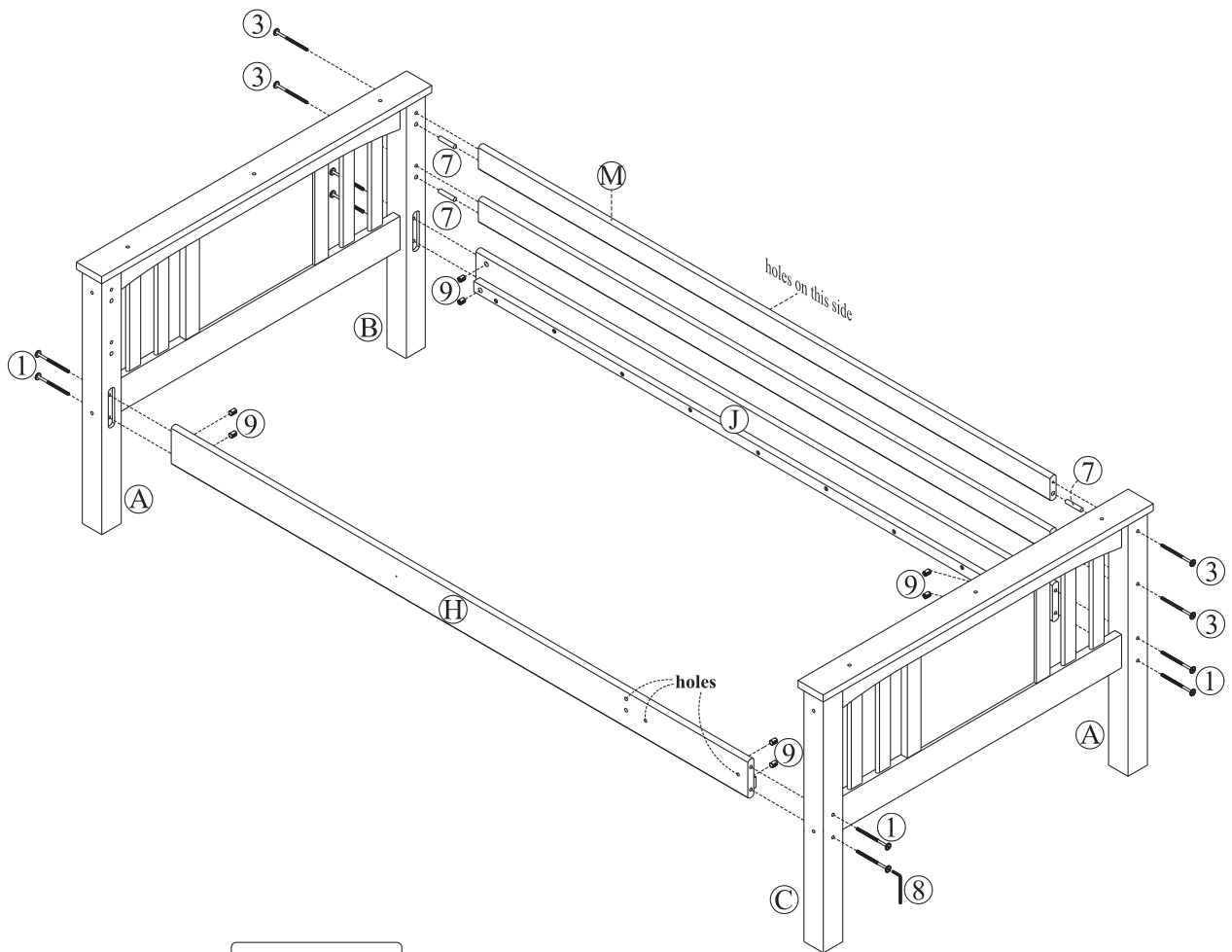
STEP 4

Attach the two headboards with bottom posts (D and E) to bottom front side rail (I) and bottom back side rail (K) using joint connectors (1) and barrel nuts (9) as shown. Tighten the joint connectors (1) with the allen key (8).

Note: This is the lower bunk.

BUNK BED ASSEMBLY MANUAL

#318

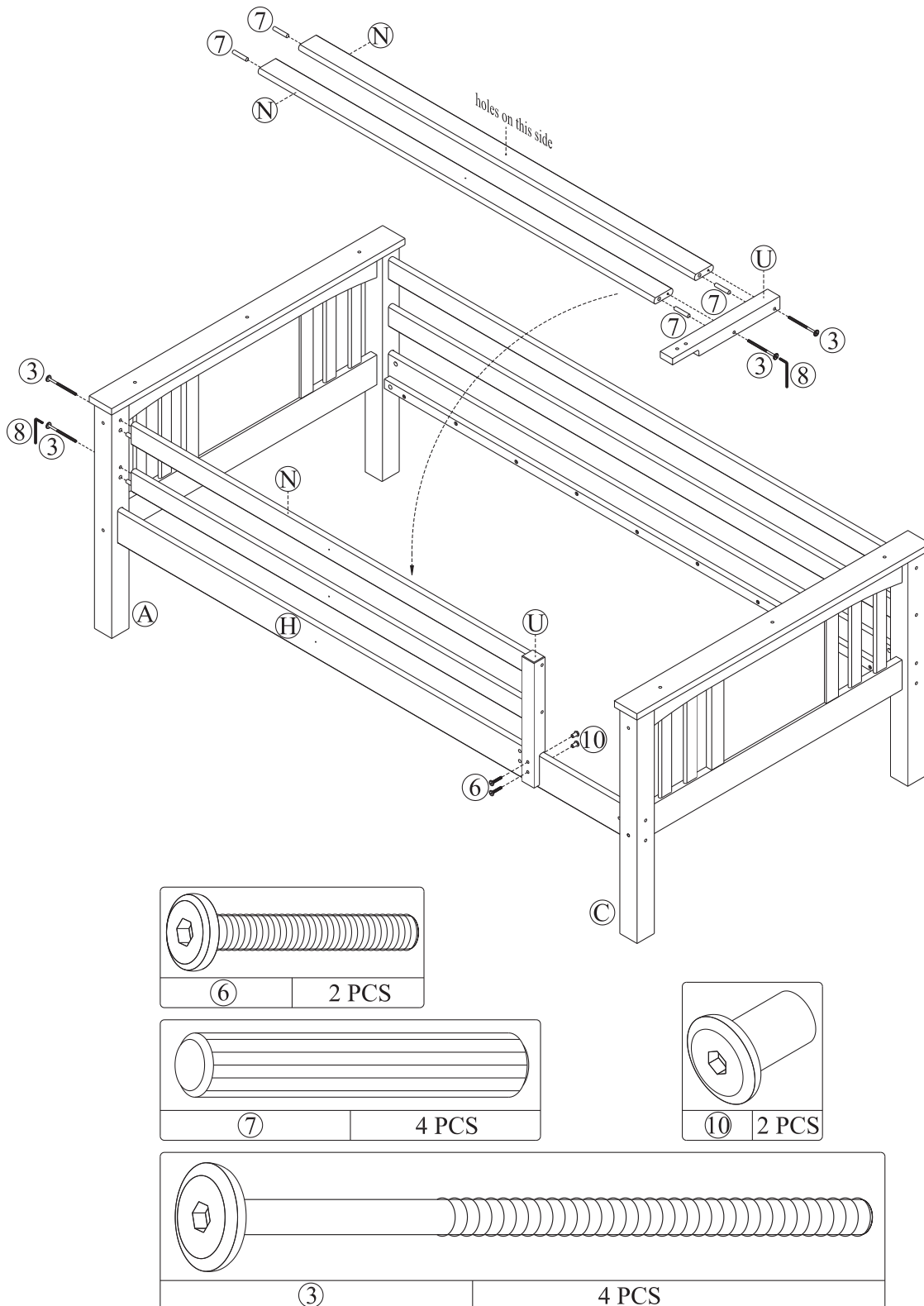


STEP 5

Insert a wood dowel (7) into each end of the long guardrails (M). Attach two long guardrails (M) and two top side rails (H and J) to top posts (A and B) & (A and C) as shown. Fasten top side rails (H and J) with joint connectors (1) and barrel nuts (9). Fasten long guardrails (M) with wood joint connectors (3). Tighten the joint connectors (1) and wood joint connectors (3) with the allen key (8).

BUNK BED ASSEMBLY MANUAL

#318



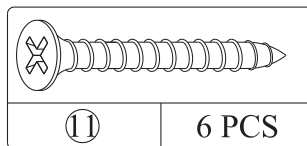
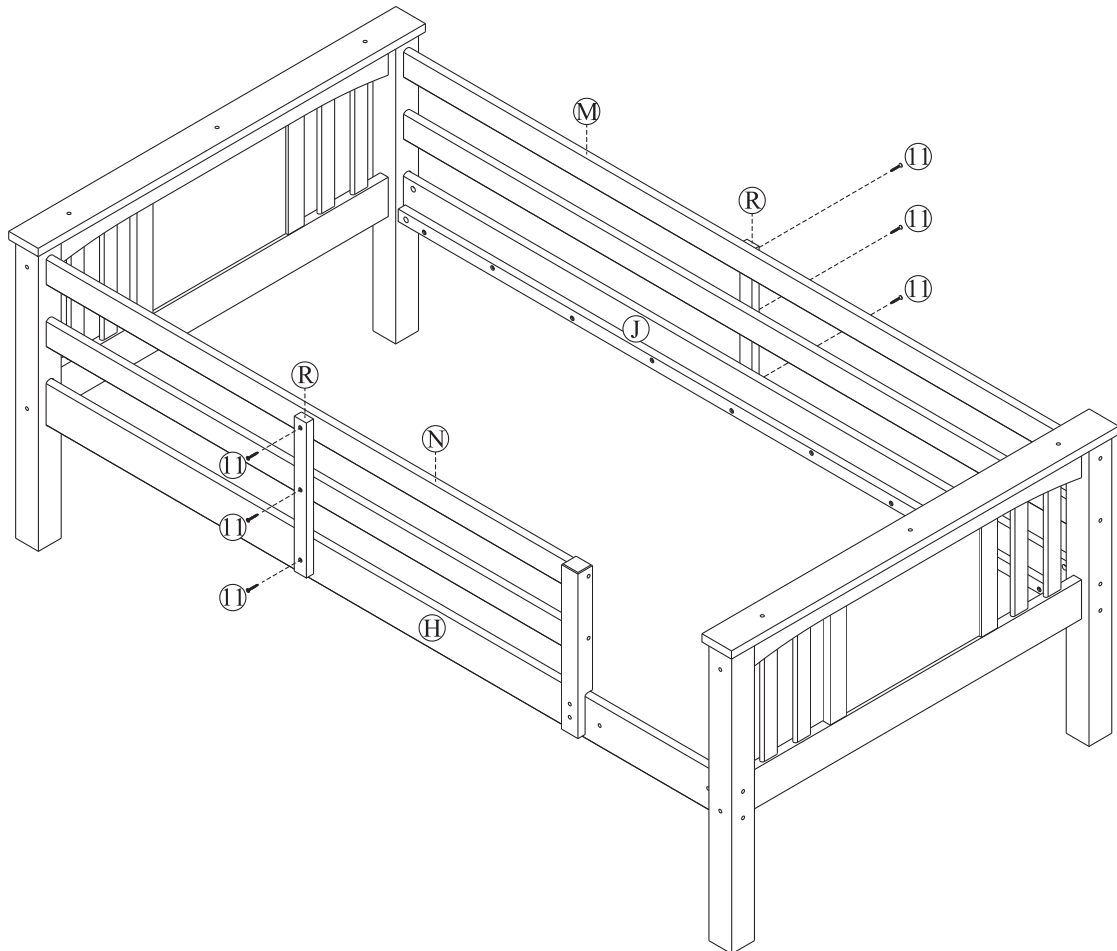
STEP 6

Insert wood dowel (7) into each end of the short guardrails (N). Attach two short guardrails (N) to short guardrail post (U) with wood joint connectors (3) as shown.

Fasten two short guardrails (N) to top post (A) with wood joint connectors (3). Fasten the short guardrail post (U) to top front side rail (H) with joint connectors (6) and hex cap (10) as shown.

BUNK BED ASSEMBLY MANUAL

#318

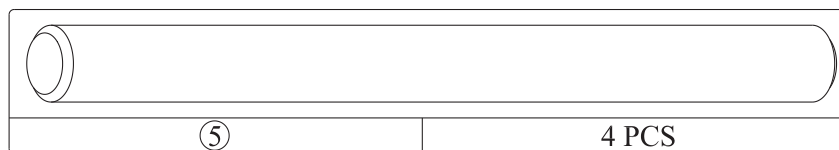
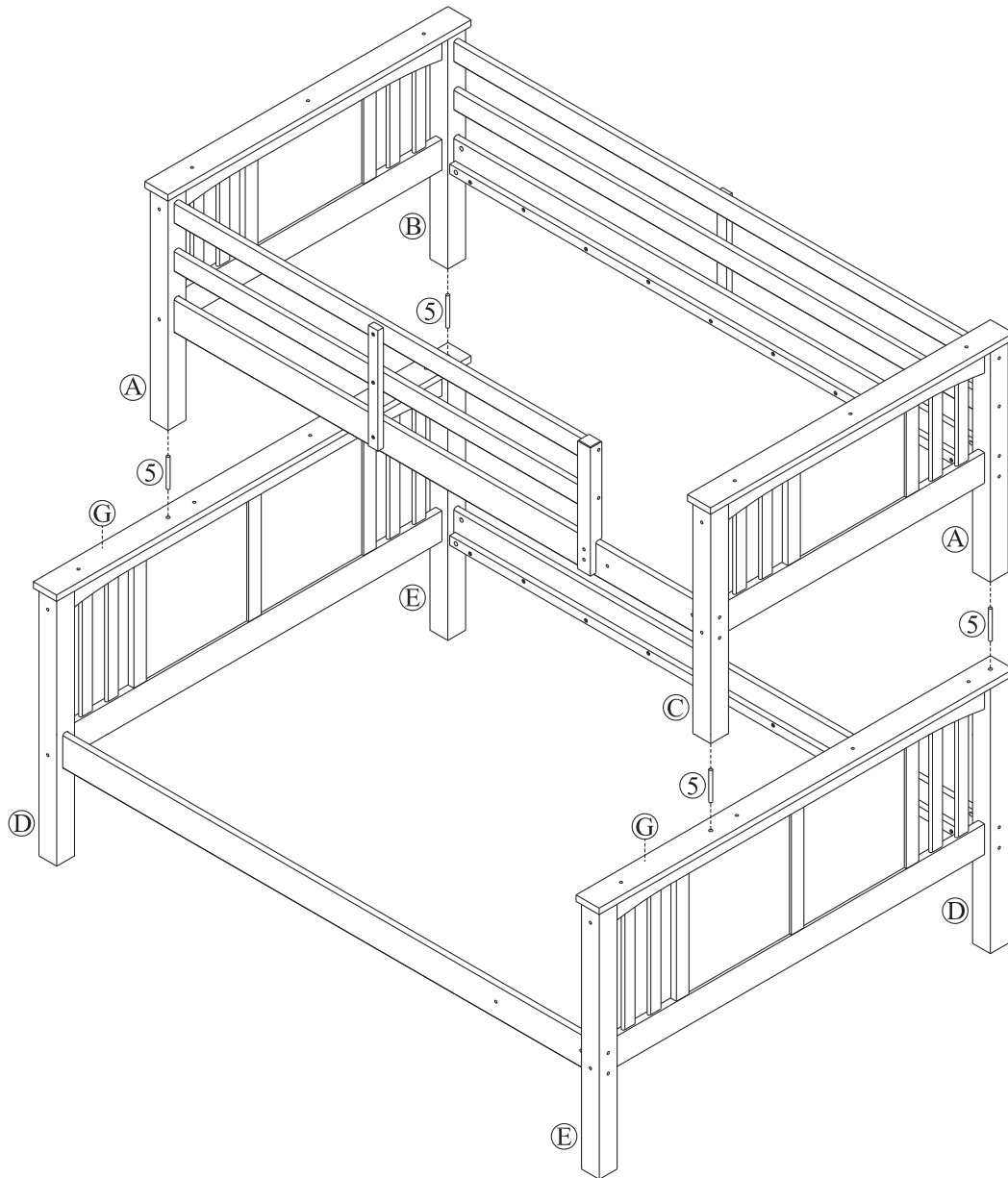


STEP 7

Attach the guardrail leg (R) to the short guardrails (N) and top front side rail (H) with flat head screws (11). Attach another guardrail leg (R) (on the other side of the bed) to long guardrails (M) and top back side rail (J) with flat head screws (11) as shown. Use Phillips screwdriver (not included) to tighten flat head screws.

BUNK BED ASSEMBLY MANUAL

#318

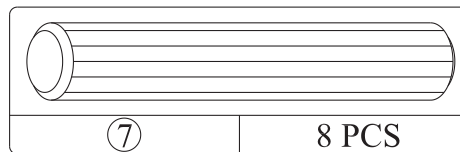
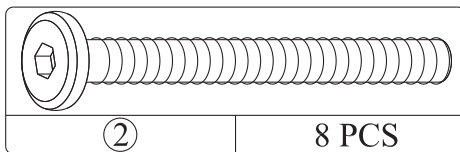
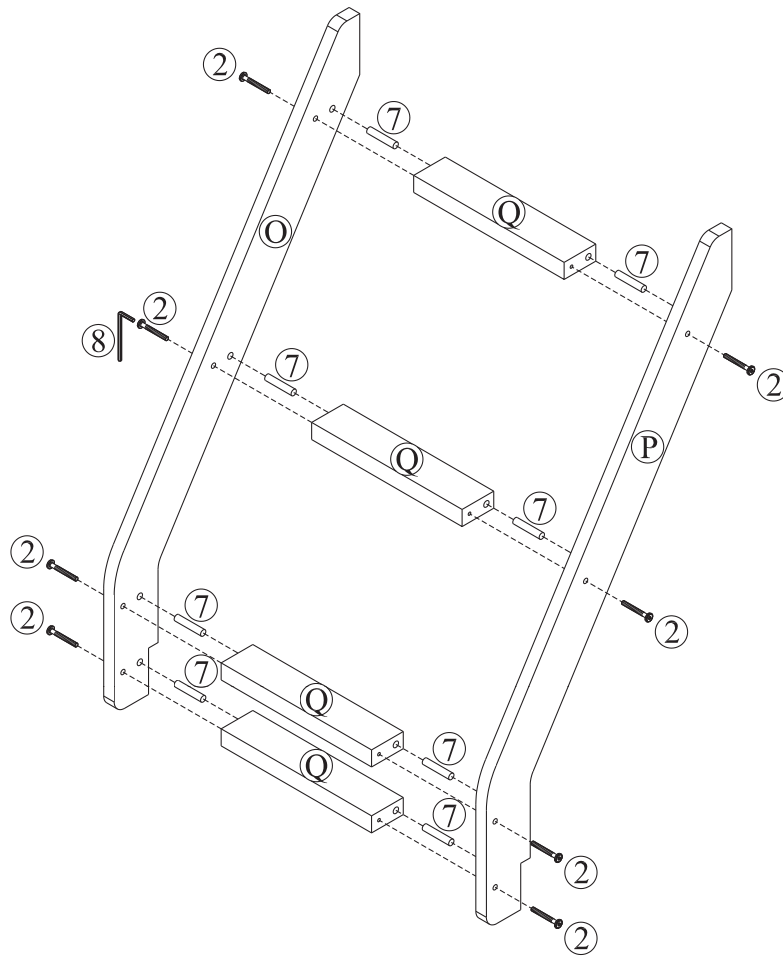


STEP 8

Place four metal dowels (5) into the holes in the lower headboard top cap (G). Stack the top bunk onto the bottom bunk with the help of another person.

BUNK BED ASSEMBLY MANUAL

#318

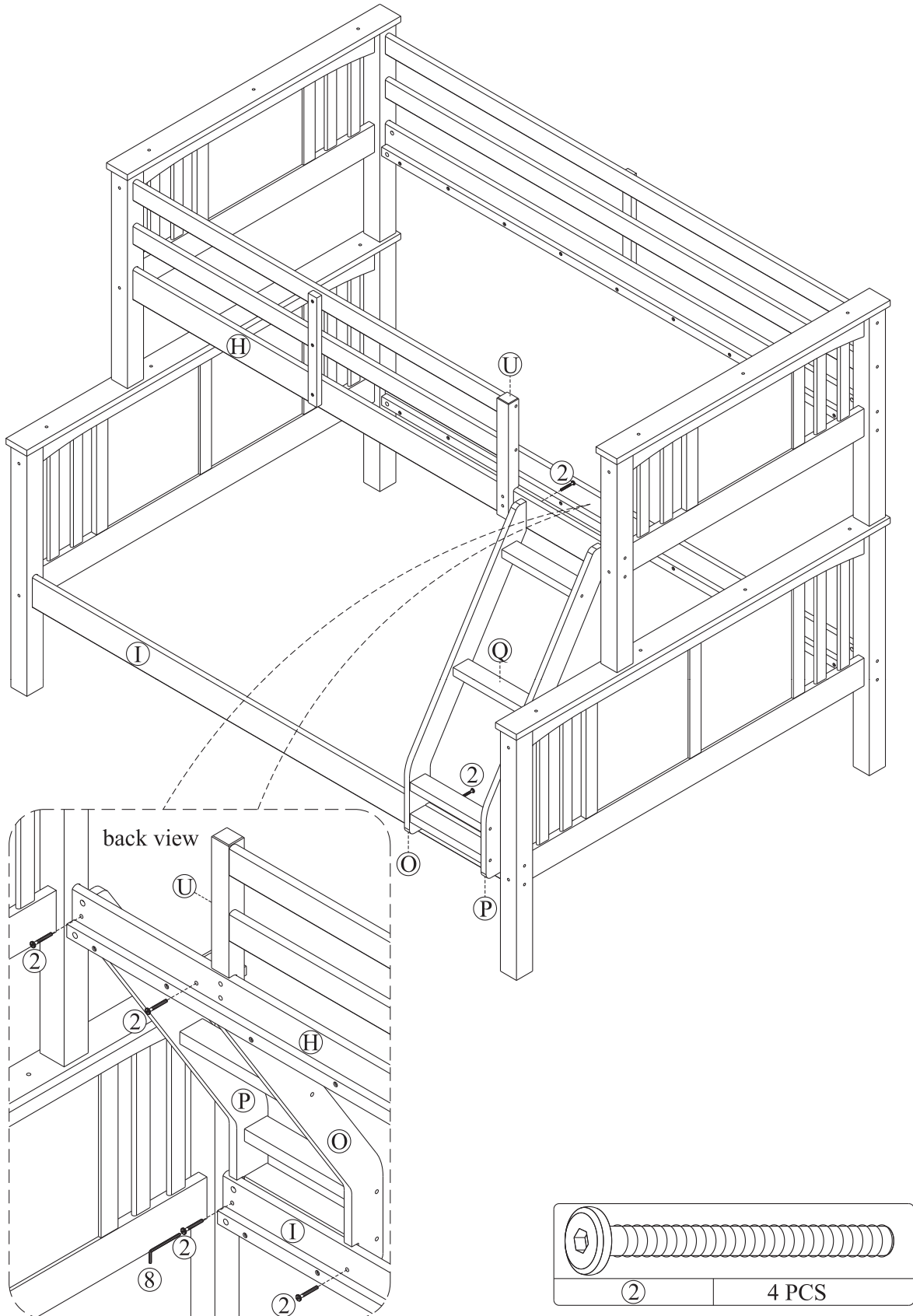


STEP 9

To assemble the ladder, insert wood dowels (7) into the end of the ladder steps (Q). Attach left ladder end (O) and right ladder end (P) to ladder steps (Q) with wood joint connectors (2). Tighten the wood joint connectors (2) with the allen key (8).

BUNK BED ASSEMBLY MANUAL

#318

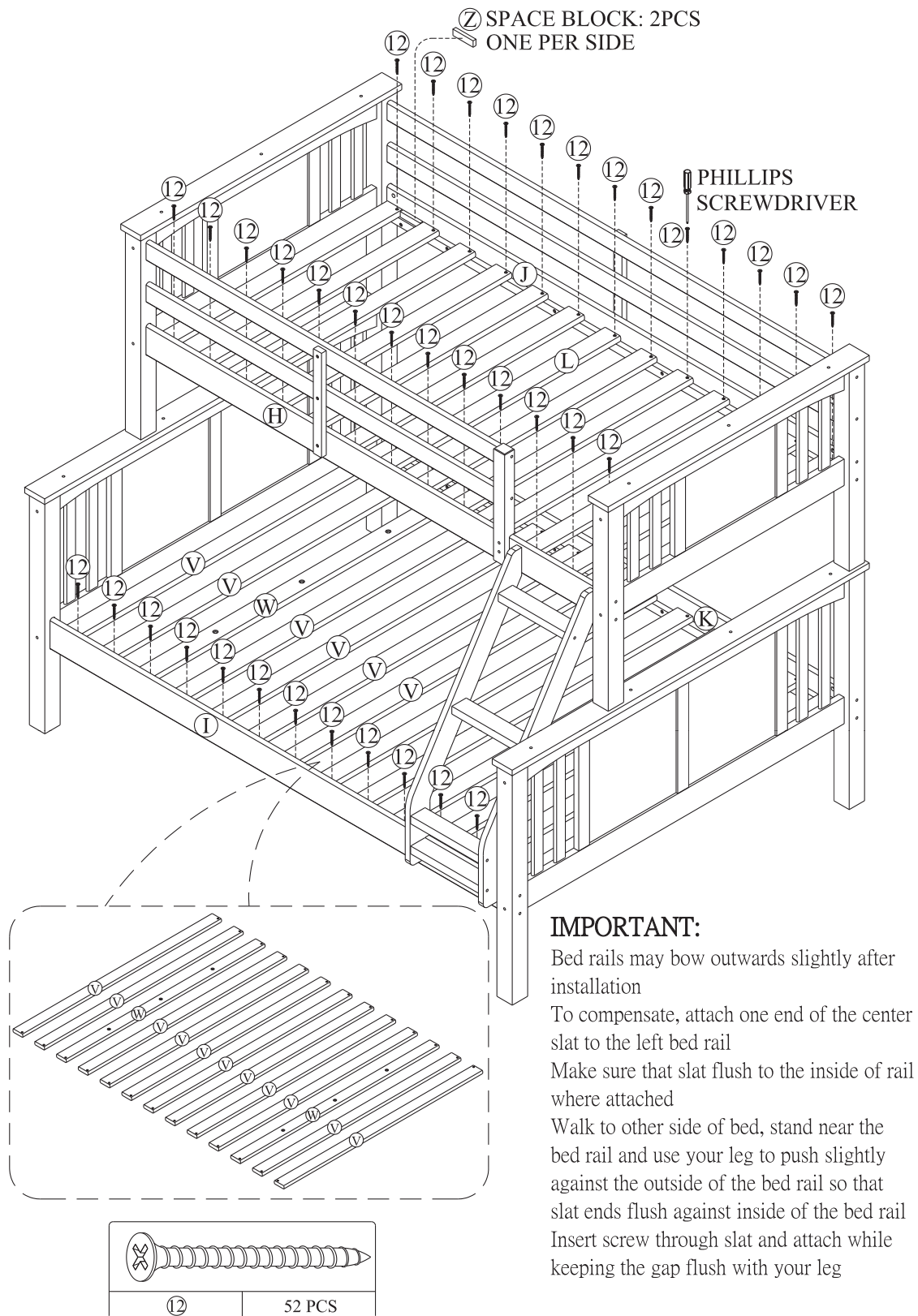


STEP 10

Attach the ladder to the top front side rail (H) and bottom front side rail (I) with wood joint connectors (2). Tighten the wood joint connectors (2) with the allen key (8) as shown.

BUNK BED ASSEMBLY MANUAL

#318



IMPORTANT:

Bed rails may bow outwards slightly after installation

To compensate, attach one end of the center slat to the left bed rail

Make sure that slat flush to the inside of rail where attached

Walk to other side of bed, stand near the bed rail and use your leg to push slightly against the outside of the bed rail so that slat ends flush against inside of the bed rail

Insert screw through slat and attach while keeping the gap flush with your leg

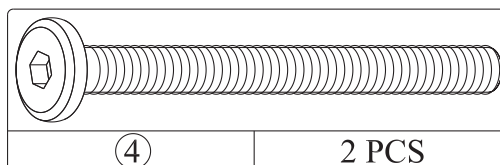
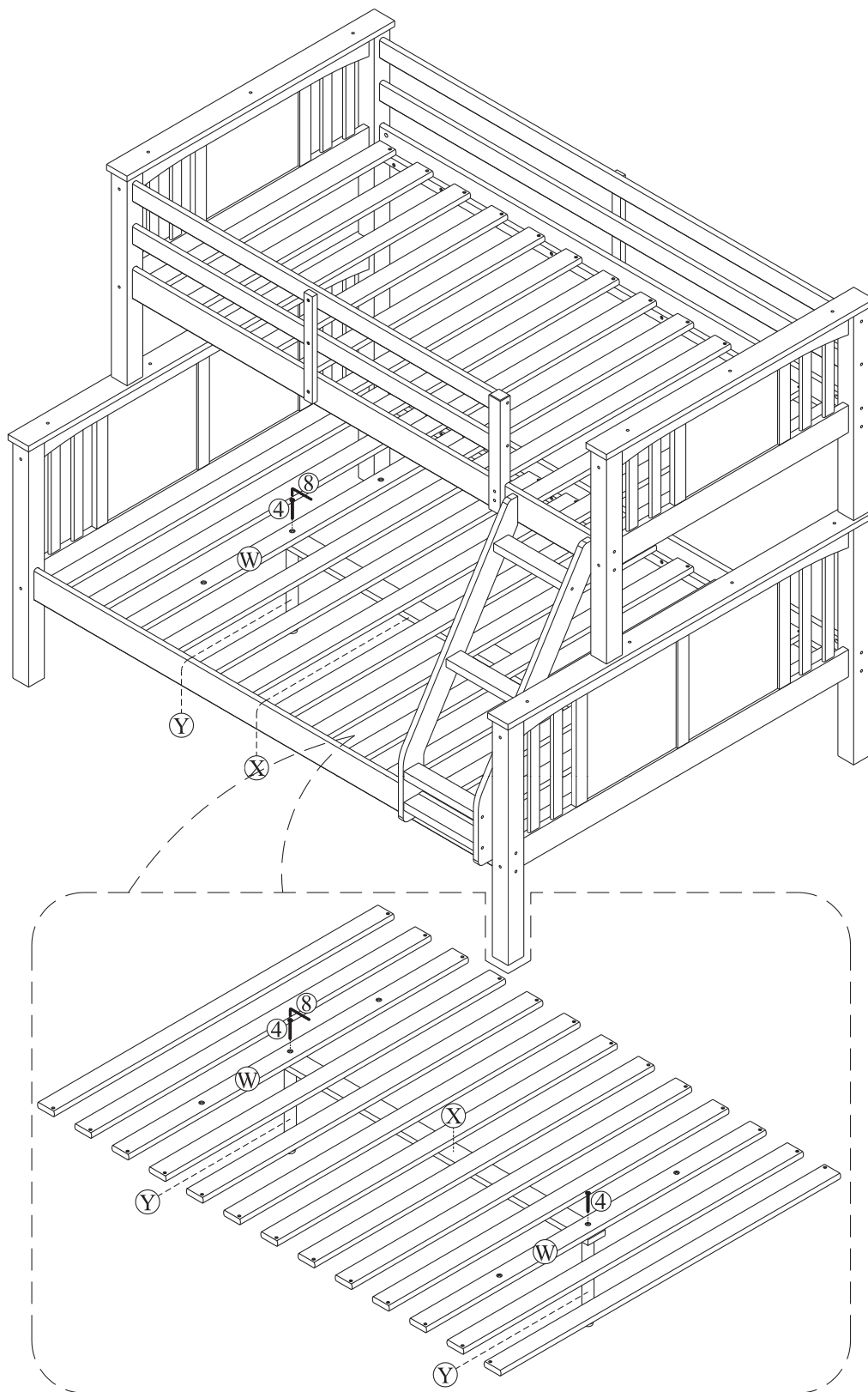
STEP 11

Attach a slat (L) onto top side rails (H&J) of the top bunk with flat head screws (12). Make sure the slat touches the corner posts (as close to the headboard as possible). Attach the other slats (L) onto the top side rails (H&J) with flat head screws (12). Use space block (Z) to space them out evenly. Use Phillips screwdriver (not included) to tighten flat head screws. Repeat this process for the bottom bunk.

NOTE: If you notice that any of the slats are not perfectly flat, be sure to assemble them so that the slats curves up in the middle and down on the ends.

BUNK BED ASSEMBLY MANUAL

#318

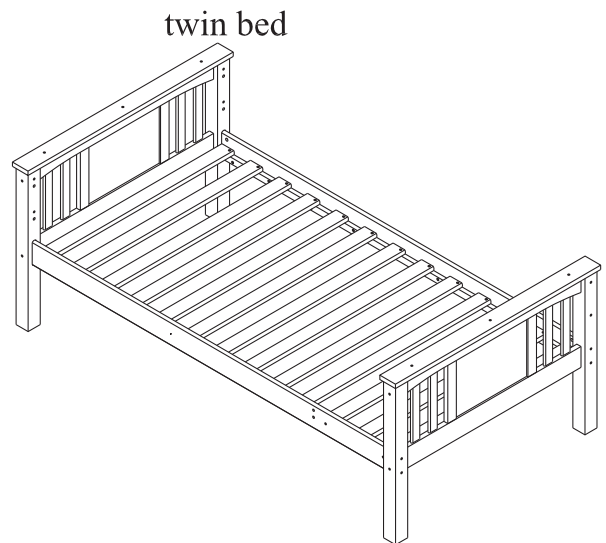
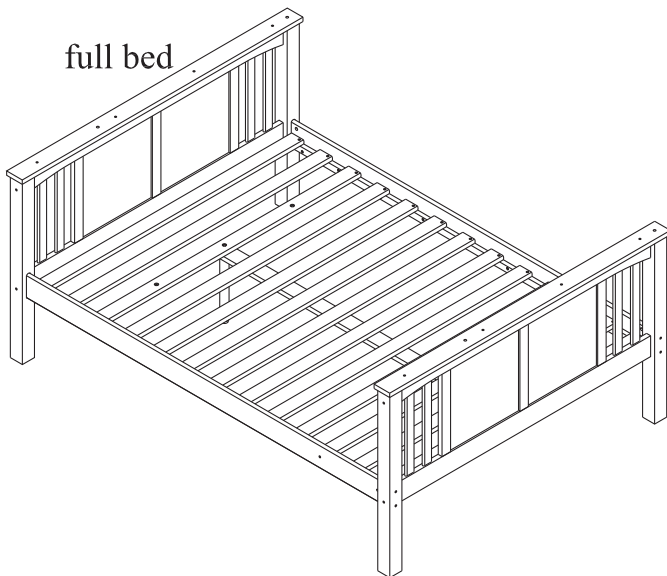
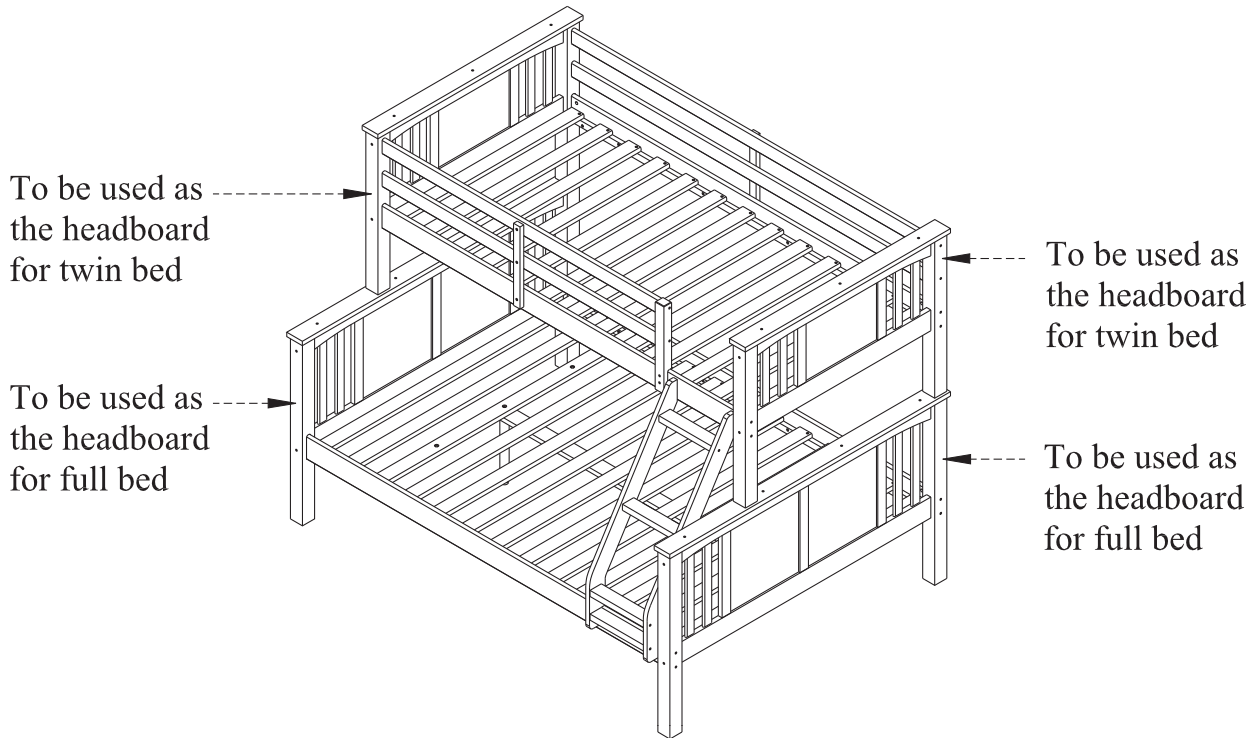


STEP 12

Attach the support post (Y) and bottom slats support plate (X) to bottom slats with holes (W) by joint connectors (4) through bottom slats support plate (X) and attach as shown. Tighten the joint connectors (4) with the allen key (8).

TWIN OVER FULL BUNK BED

#318



To convert the bunk bed into a full size bed and a twin bed, remove the ladder and all the guardrails. With the help of another person, remove the top bunk from the lower bunk.

