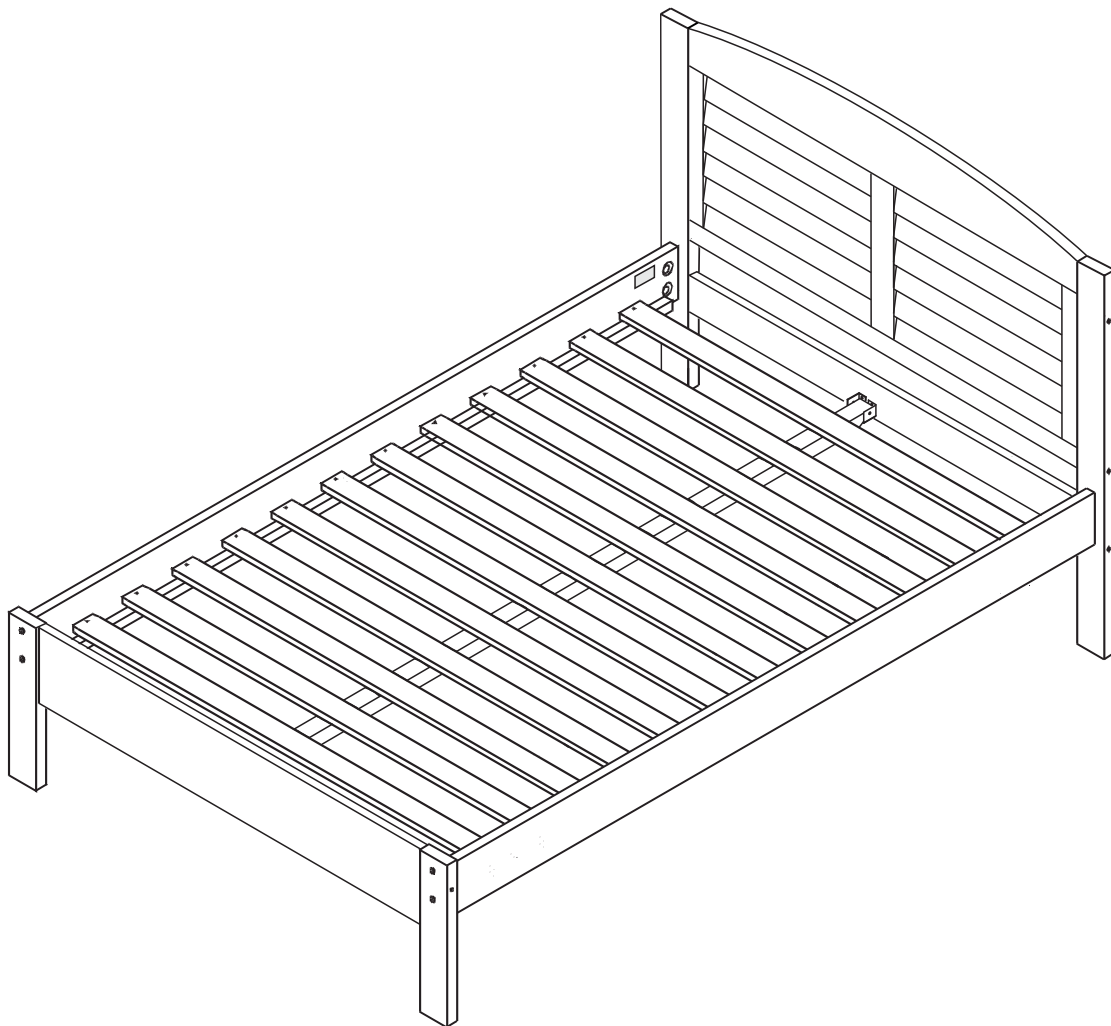


ASSEMBLY INSTRUCTIONS

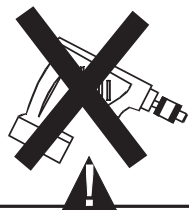
212 FULL LOUVER BED



Thank you for purchasing this quality product. Besure to check all packing material carefully for small parts which may have come loose inside the carton during shipment. eparate, identify and count al lparts and hardware.

Compare with the parts list to be sure al parts are present.

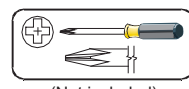
“DO NOT TIGHTEN SCREWS UNTIL COMPLETELY ASSEMBLED”



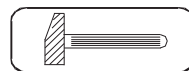
***Use of power tool to assemble this product will invalidate any claim and damage this product making unsafe !
*Please assemble on a clean soft surface to avoid damage.**



Tools Required



(Not included)

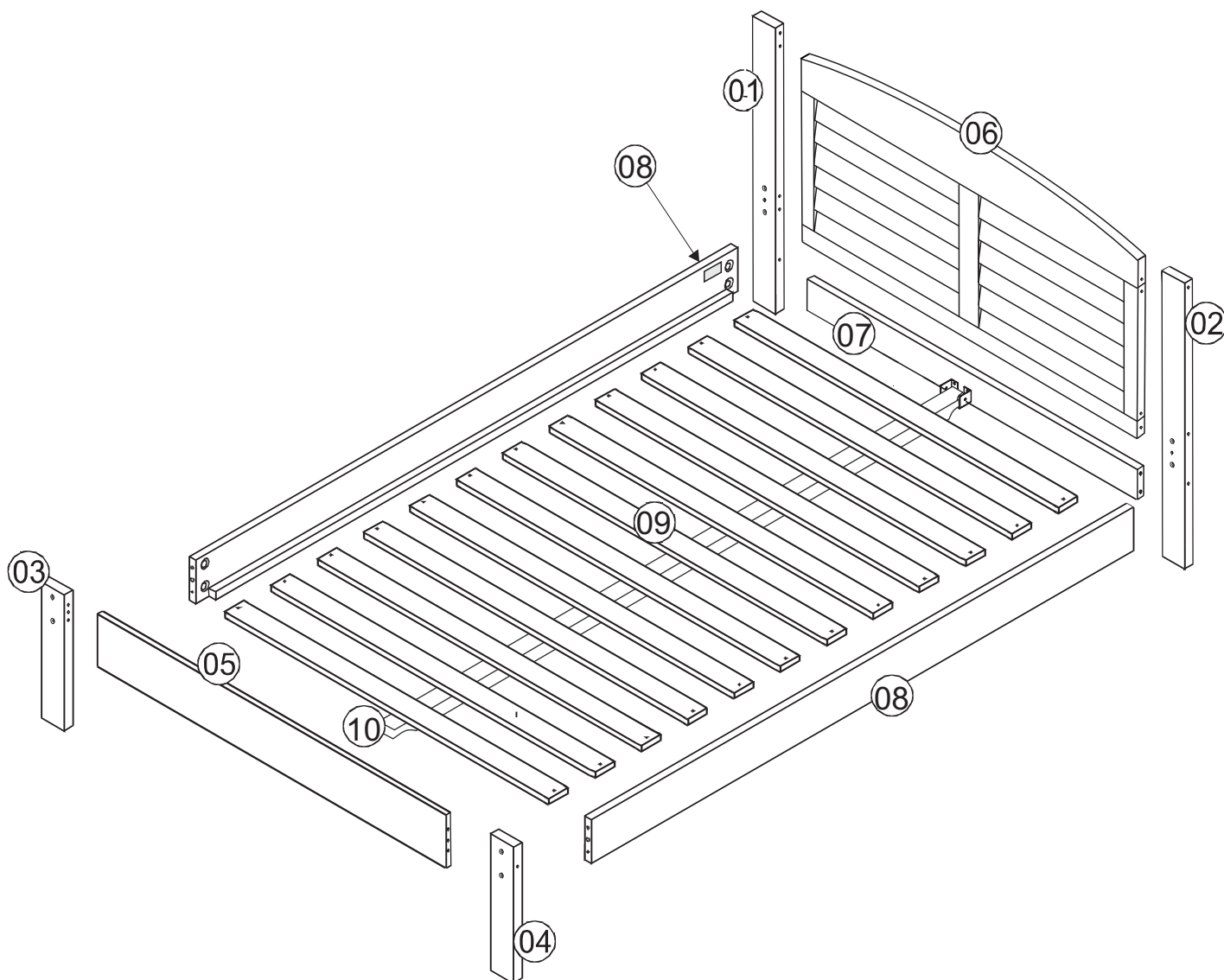


(Not included)




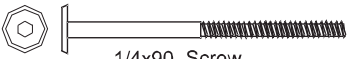

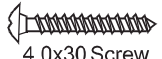

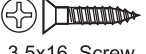
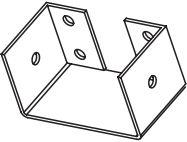
IMPORTANT:

PLEASE READ INSTRUCTION BEFORE STARTING THE ASSEMBLY

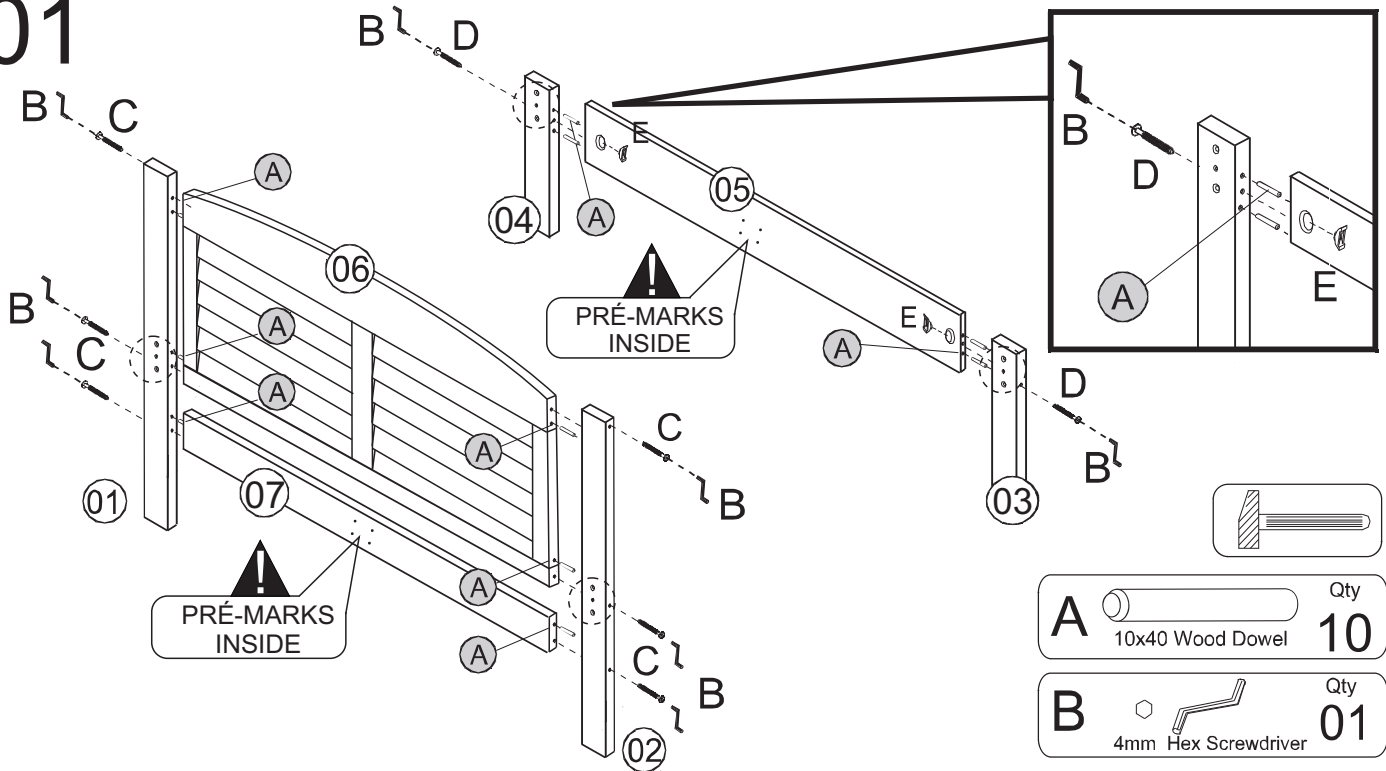
Part List: 212 FULL LOUVER BED



Identifying the Hardware/part list - Identify the hardware using the illustrations below.

A  Qty 10x40 Wood Dowel 14	B  Qty 4mm Hex Screwdriver 01	C  Qty 7,0x100 Screw 06
D  Qty 1/4x90 Screw 10	E  Qty 1/4" Half Moon 10	F  Qty 4,0x30 Screw 28
G  Qty 3,45 in SPACE SLATS 02	H  Qty 3,5x16 Screw 12	I  Qty 02

01



A Qty 10
10x40 Wood Dowel

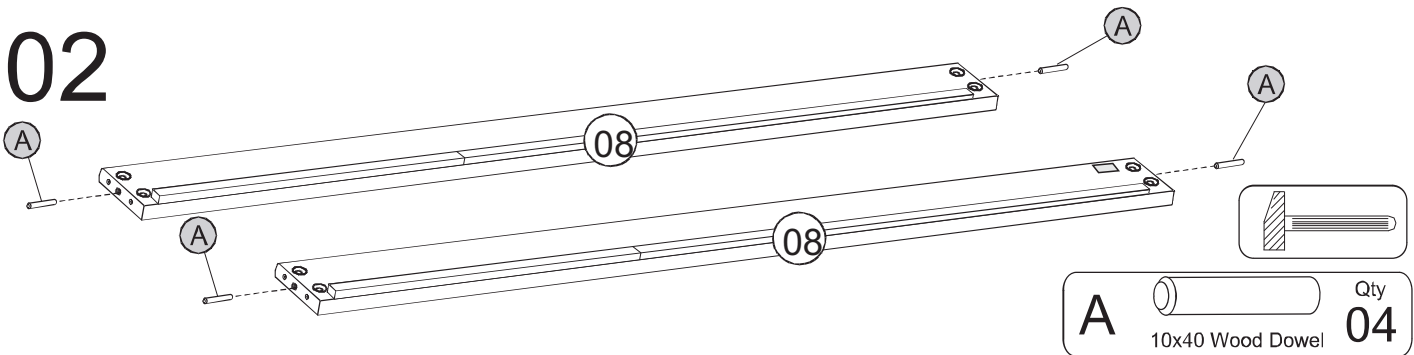
B Qty 01
4mm Hex Screwdriver

E Qty 02
1/4" Half Moon

D Qty 02
1/4x90 Screw

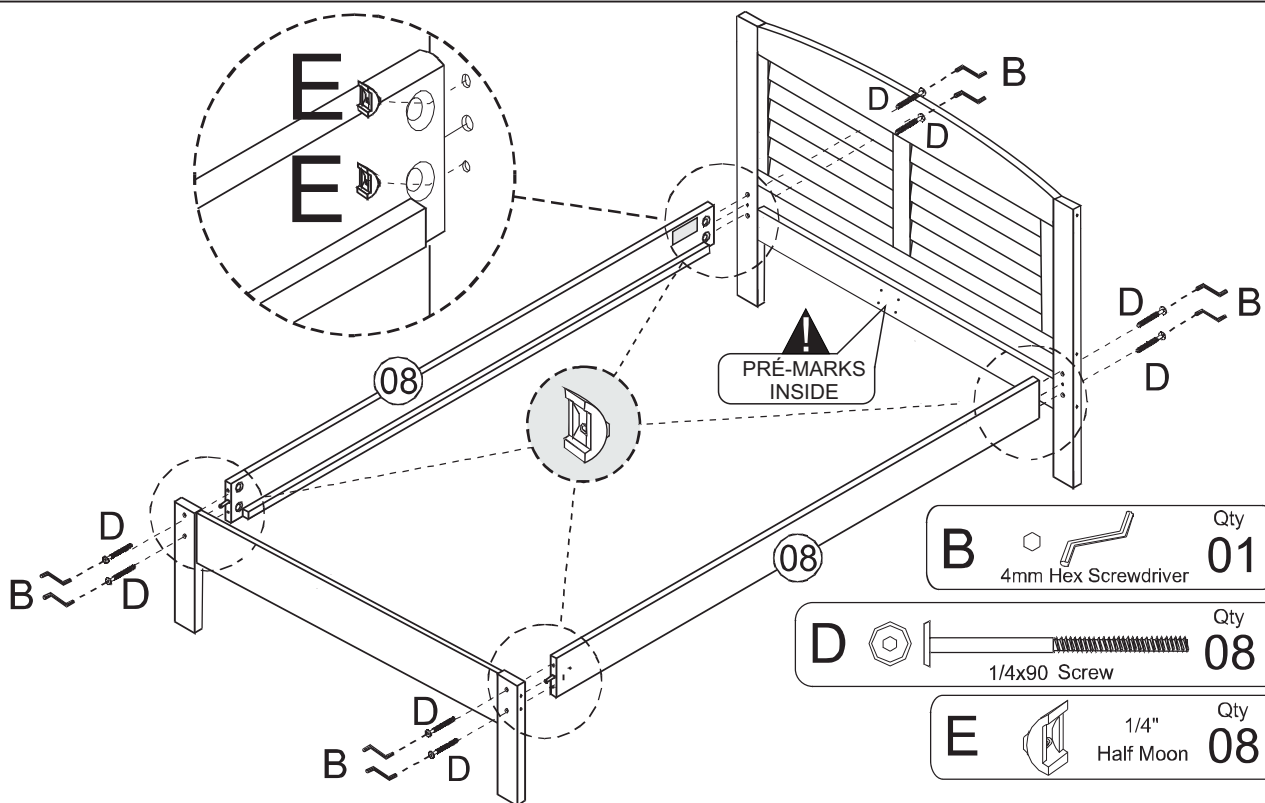
C Qty 06
7,0x100 Screw

02



A Qty 04
10x40 Wood Dowel

03

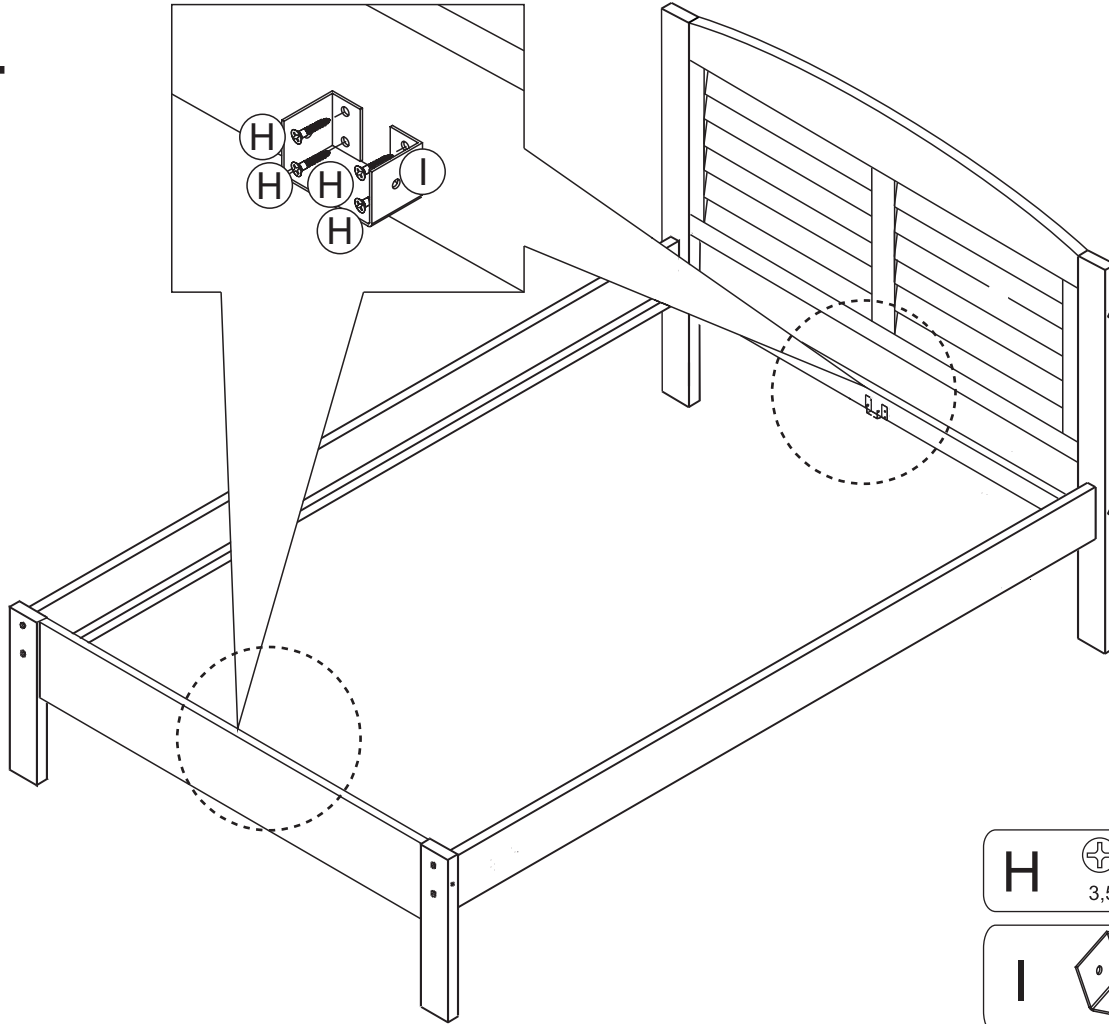


B Qty 01
4mm Hex Screwdriver

D Qty 08
1/4x90 Screw

E Qty 08
1/4" Half Moon

04



Tool Required

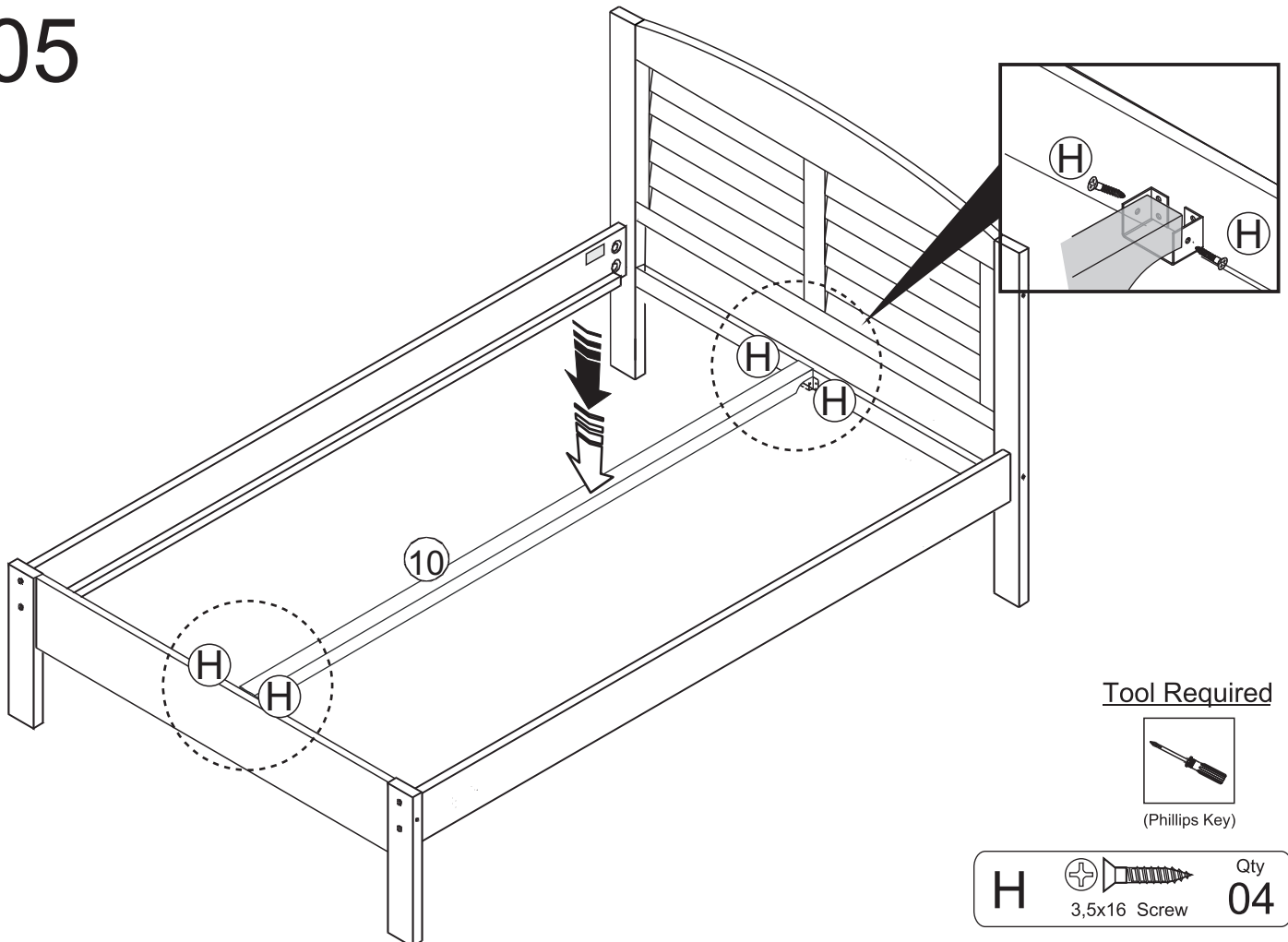


(Phillips Key)

H		Qty
	3,5x16 Screw	08

I		Qty
		02

05



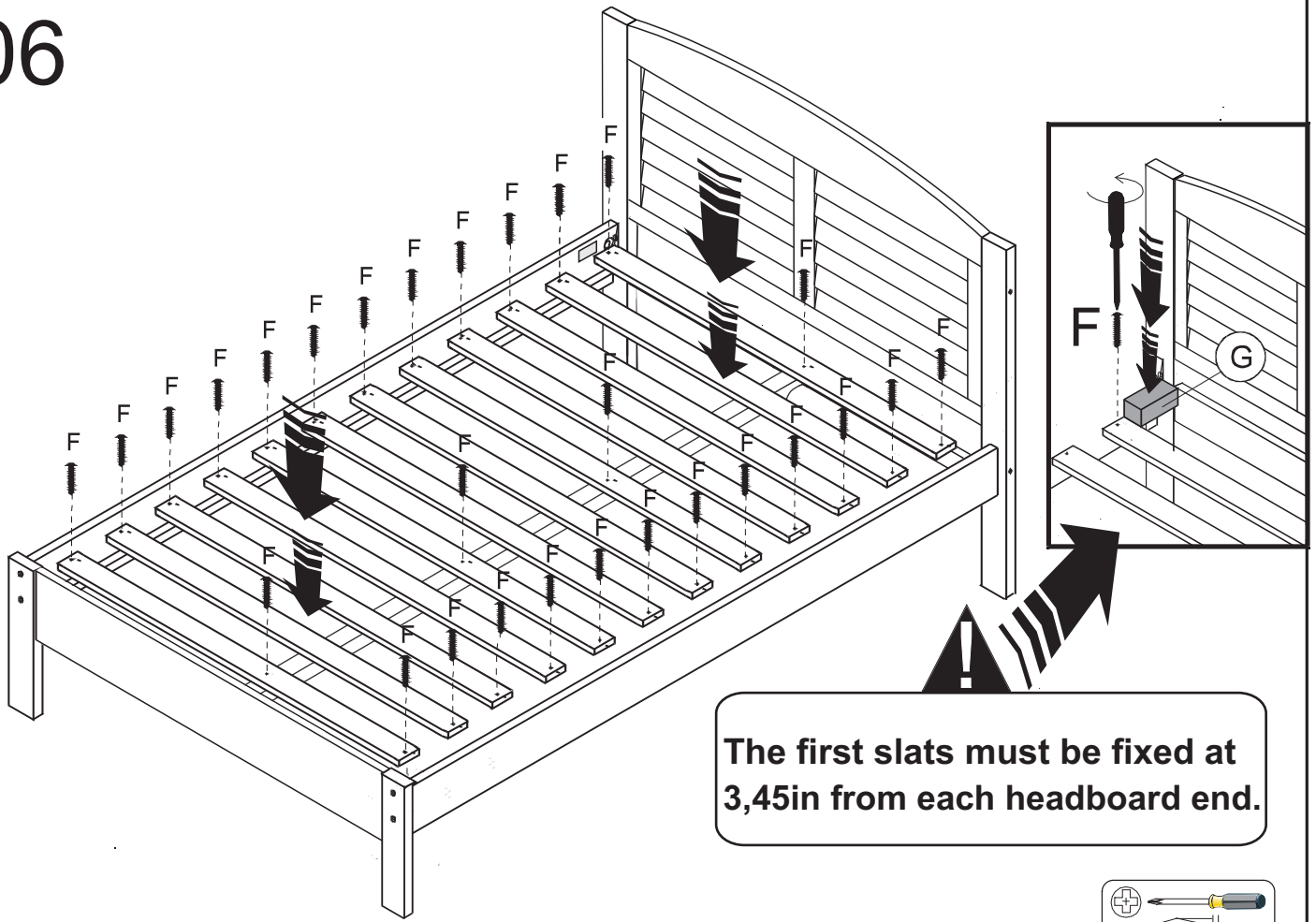
Tool Required



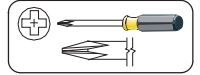
(Phillips Key)

H		Qty
	3,5x16 Screw	04

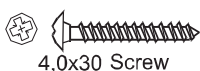
06



The first slats must be fixed at 3,45in from each headboard end.



G  3,45 in Qty 02
SPACE SLATS

F  4,0x30 Screw Qty 28

