






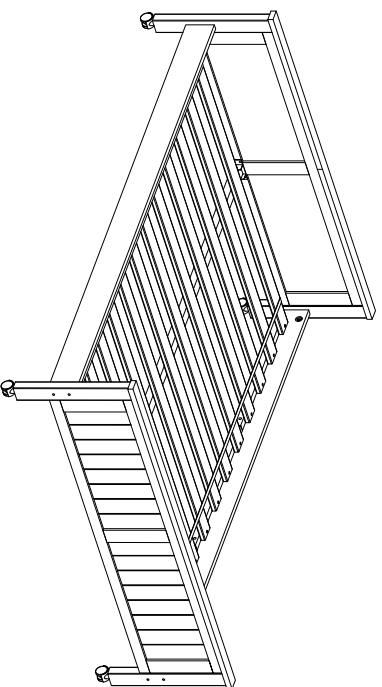


ASSEMBLY INSTRUCTION

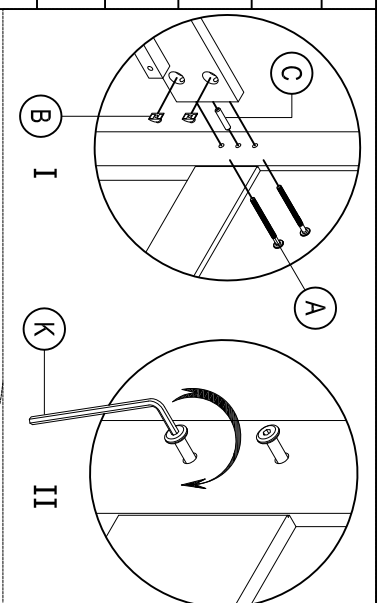
Model: 008AFD / 008BFD - Club House Full Low Caster Bed

Hardware List

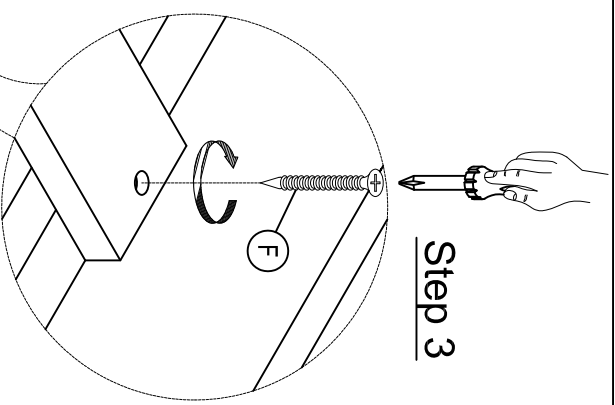
(A)		Bolt Ø1/4"×80mm	8 PCS
(B)		Half-moon nut Ø1/4" 22°12'10mm	8 PCS
(C)		Wooden dowel Ø8×40mm	4 PCS
(D)		Bolt Ø1/4"×40mm	2 PCS
(E)		Nut Ø1/4"×15mm	2 PCS
(F)		Screw Ø4×30 mm	24 PCS
(K)		Allen key Ø4×60 mm	1 PC



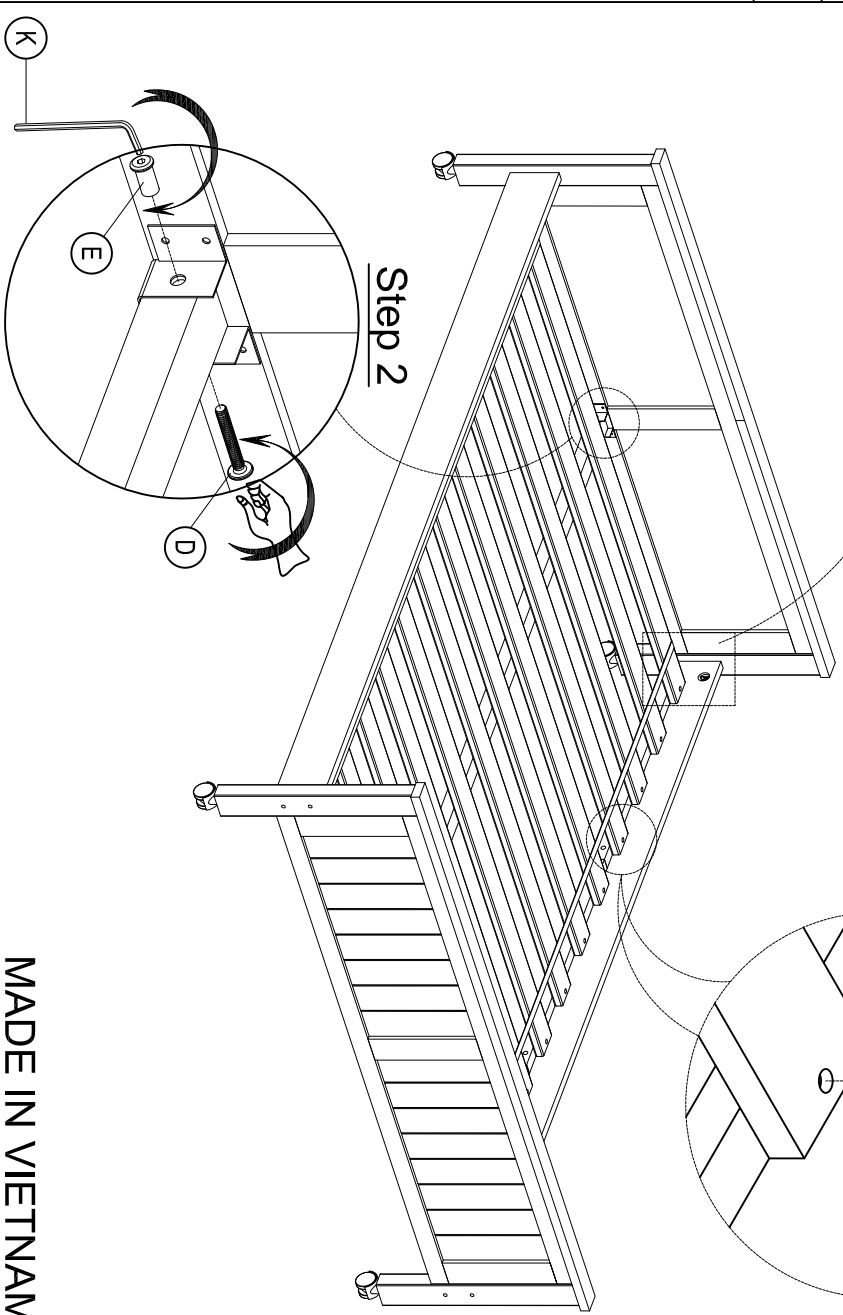
FINISH



Step 1



Step 3



Step 2

MADE IN VIETNAM