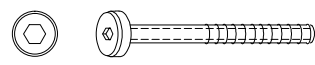
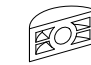


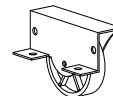

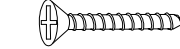

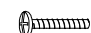
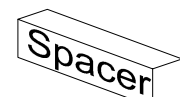
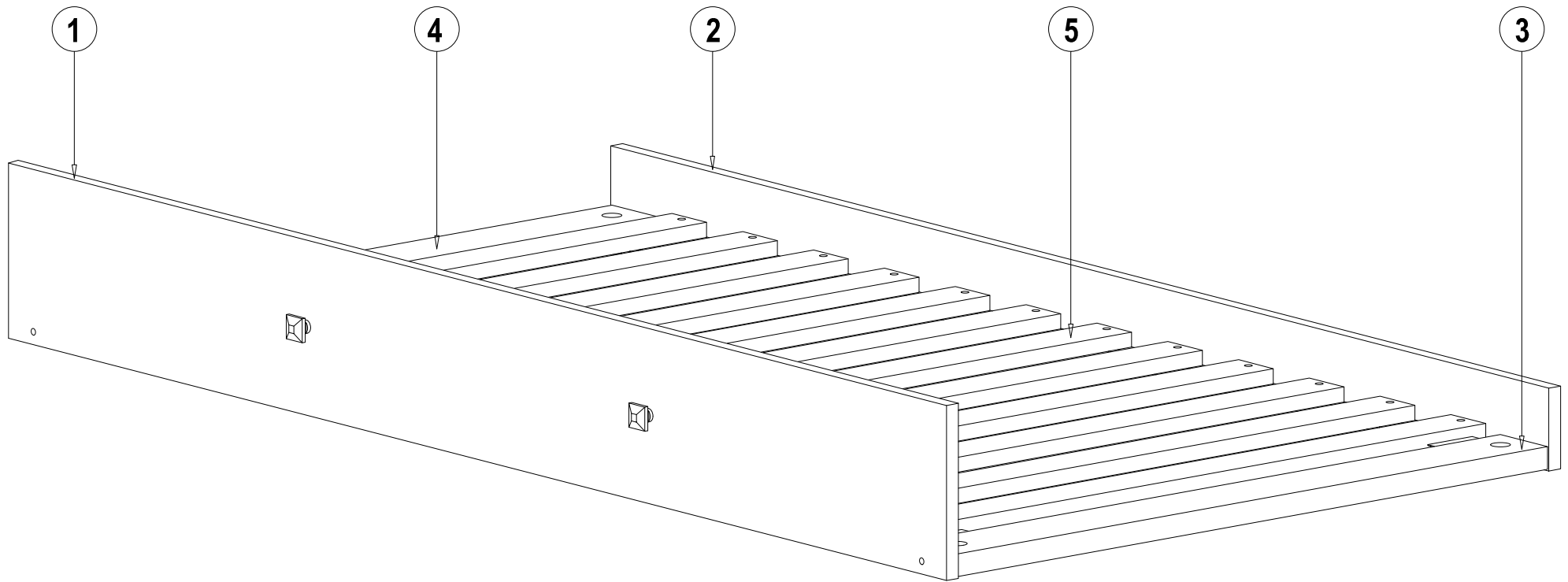
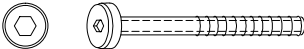
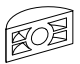
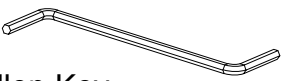

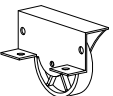
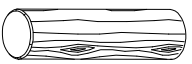


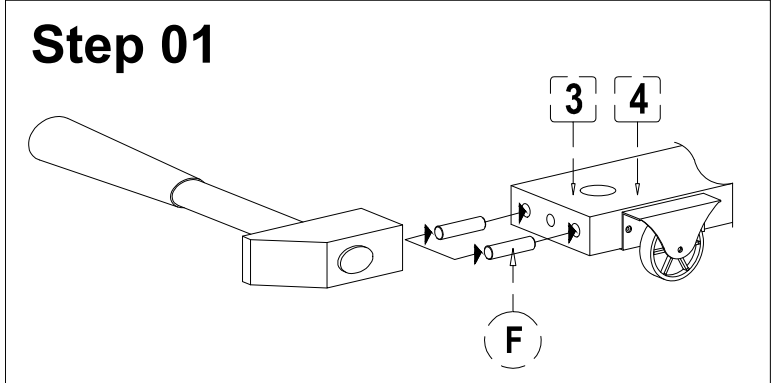
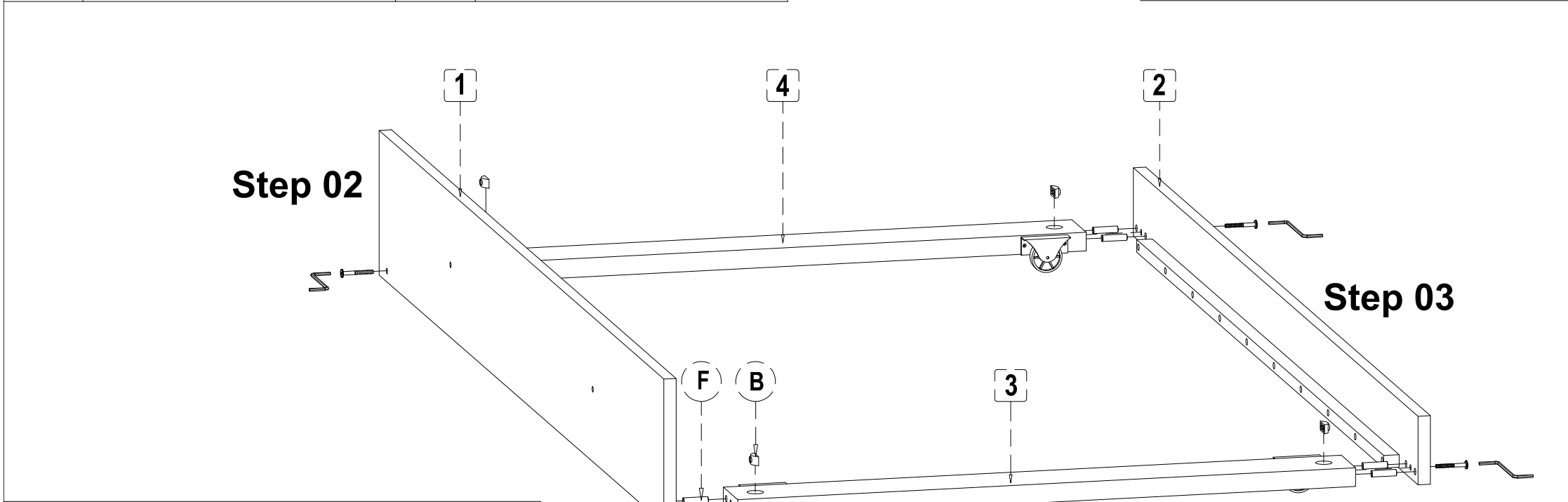
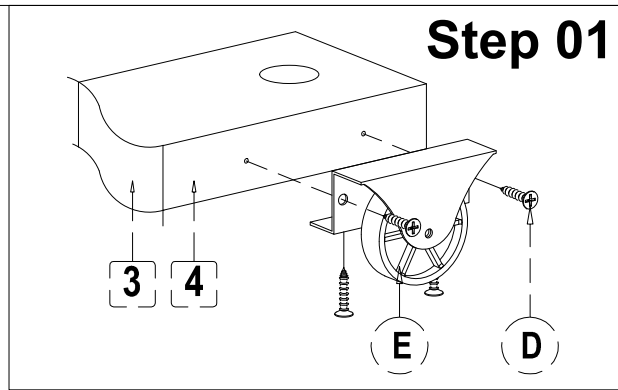
ASSEMBLY INSTRUCTIONS - SHAKER TRUNDLE BRUSHED GREY

A  Ø6x70mm Qty: 04	B  Half Moon Qty: 04	C  Allen Key Qty: 01	D  Ø3x15mm Qty: 16	E  Caster Qty: 04
F  Ø10x40mm Qty: 08	G  Ø4x30mm Qty: 24	H  Metal-knob Qty: 02	I  Ø4x30mm Qty: 2	J  Spacer Qty: 02



ASSEMBLY INSTRUCTIONS - SHAKER TRUNDLE BRUSHED GREY

A	 Ø6x70mm Qty: 04	B	 Half Moon Qty: 04
C	 Allen Key Qty: 01	D	 Ø3x15mm Qty: 16
E	 Caster Qty: 04	F	 Ø10x40mm Qty: 08



ASSEMBLY INSTRUCTIONS - SHAKER TRUNDLE BRUSHED GREY

G



Ø4x30mm

Qty: 24

H

Metal-knob



Qty: 02

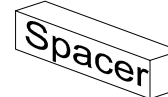
I

Ø4x30mm



Qty: 02

J



Qty: 02

Step 04

